

Questions? See us on the World Wide Web at [www.dewalt.com](http://www.dewalt.com)

INSTRUCTIVO DE OPERACIÓN, CENTROS DE SERVICIO Y PÓLIZA DE GARANTÍA. ADVERTENCIA: LEASE ESTE INSTRUCTIVO ANTES DE USAR EL PRODUCTO.

INSTRUCTION MANUAL  
GUIDE D'UTILISATION  
MANUAL DE INSTRUCCIONES

# DEWALT®

D28770

Heavy Duty Deep Cut Variable Speed Band Saw

Scie à ruban à vitesse variable de service intensif pour coupes profondes  
Sierra de banda para trabajo pesado, de velocidad variable para cortes profundos

DeWALT Industrial Tool Co., 701 East Joppa Road, Baltimore, MD 21286  
(APR04) Form No. 624781-00 D28770 Copyright © 2004

The following are trademarks for one or more DeWALT power tools: the yellow and black color scheme; the "D" shaped air intake grill; the array of pyramids on the handgrip; the kit box configuration; and the array of lozenge-shaped humps on the surface of the tool.

IF YOU HAVE ANY QUESTIONS OR COMMENTS ABOUT THIS OR ANY DeWALT TOOL, CALL US TOLL FREE AT:

1-800-4-DEWALT (1-800-433-9258)

### General Safety Instructions

**⚠ WARNING!** Read and understand all instructions. Failure to follow all instructions listed below may result in electric shock, fire and/or serious personal injury.

#### SAVE THESE INSTRUCTIONS

#### WORK AREA

- Keep your work area clean and well lit. Cluttered benches and dark areas invite accidents.
- Do not operate power tools in explosive atmospheres, such as in the presence of flammable liquids, gases, or dust. Power tools create sparks which may ignite the dust or fumes.
- Keep bystanders, children, and visitors away while operating a power tool. Distractions can cause you to lose control.

#### ELECTRICAL SAFETY

- Grounded tools must be plugged into an outlet properly installed and grounded in accordance with all codes and ordinances. Never remove the grounding prong or modify the plug in any way. Do not use any adaptor plugs. Check with a qualified electrician if you are in doubt as to whether the outlet is properly grounded. If the tools should electrically malfunction or break down, grounding provides a low resistance path to carry electricity away from the user.
- Avoid body contact with grounded surfaces such as pipes, radiators, ranges and refrigerators. There is an increased risk of electric shock if your body is grounded.
- Don't expose power tools to rain or wet conditions. Water entering a power tool will increase the risk of electric shock.
- Do not abuse the cord. Never use the cord to carry the tools or pull the plug from an outlet. Keep cord away from heat, oil, sharp edges or moving parts. Replace damaged cords immediately. Damaged cords increase the risk of electric shock.
- When operating a power tool outside, use an outdoor extension cord marked "W-A" or "W." These cords are rated for outdoor use and reduce the risk of electric shock. When using an extension cord, be sure to use one heavy enough to carry the current your product will draw. An undersized cord will cause a drop in line voltage resulting in loss of power and overheating. The following table shows the correct size to use depending on cord length and nameplate ampere rating. If in doubt, use the next heavier gage. The smaller the gage number, the heavier the cord.

Volts	Minimum Gage for Cord Sets			
	Total Length of Cord in Feet			
120V	0-25	26-50	51-100	101-150
240V	0-50	51-100	101-200	201-300
Ampere Rating		AWG		
More Than	Not more Than			
0	6	18	16	14
6	10	18	16	12

#### PERSONAL SAFETY

- Stay alert, watch what you are doing and use common sense when operating a power tool. Do not use tool while tired or under the influence of drugs, alcohol, or medication. A moment of inattention while operating power tools may result in serious personal injury.
- Dress properly. Do not wear loose clothing or jewelry. Contain long hair. Keep your hair, clothing, and gloves away from moving parts. Loose clothing, jewelry, or long hair can be caught in moving parts. Air vents often cover moving parts and should also be avoided.
- Avoid accidental starting. Be sure switch is off before plugging in. Carrying tools with your finger on the switch or plugging in tools that have the switch on invites accidents.
- Remove adjusting keys or wrenches before turning the tool on. A wrench or a key that is left attached to a rotating part of the tool may result in personal injury.
- Do not overreach. Keep proper footing and balance at all times. Proper footing and balance enables better control of the tool in unexpected situations.
- Use safety equipment. Always wear eye protection. Dust mask, non-skid safety shoes, hard hat, or hearing protection must be used for appropriate conditions.

#### TOOL USE AND CARE

- Use clamps or other practical way to secure and support the workpiece to a stable platform. Holding the work by hand or against your body is unstable and may lead to loss of control.
- Do not force tool. Use the correct tool for your application. The correct tool will do the job better and safer at the rate for which it is designed.
- Do not use tool if switch does not turn it on or off. Any tool that cannot be controlled with the switch is dangerous and must be repaired.
- Disconnect the plug from the power source before making any adjustments, changing accessories, or storing the tool. Such preventative safety measures reduce the risk of starting the tool accidentally.

- Store idle tools out of reach of children and other untrained persons. Tools are dangerous in the hands of untrained users.
- Maintain tools with care. Keep cutting tools sharp and clean. Properly maintained tools, with sharp cutting edges are less likely to bind and are easier to control.
- Check for misalignment or binding of moving parts, breakage of parts, and any other condition that may affect the tool's operation. If damaged, have the tool serviced before using. Many accidents are caused by poorly maintained tools.
- Use only accessories that are recommended by the manufacturer for your model. Accessories that may be suitable for one tool, may become hazardous when used on another tool.

#### SERVICE

- Tool service must be performed only by qualified repair personnel. Service or maintenance performed by unqualified personnel could result in a risk of injury.
- When servicing a tool, use only identical replacement parts. Follow instructions in the Maintenance section of this manual. Use of unauthorized parts or failure to follow maintenance instructions may create a risk of electric shock or injury.

#### Additional Safety Rules - Portable Band Saws

- Hold tool by insulated gripping surfaces when performing an operation where the cutting tool may contact hidden wiring. Contact with a "live" wire will make exposed metal parts of the tool "live" and shock the operator.
- Keep hands away from cutting area and blade. Keep one hand on the main handle and the other hand on the front handle to prevent loss of control which could result in personal injury.
- Always make sure the portable band saw is clean before using
- Always cease operation at once if you notice any abnormality whatsoever.
- Always be sure all components are mounted properly and securely before using tool.
- Always handle the band saw blade with care when mounting or removing it.
- Always keep your hands out of the line of the band saw blade.
- Always wait until the motor has reached full speed before starting a cut.
- Always keep handles dry, clean, and free of oil and grease. Hold the tool firmly when in use.
- Always be alert at all times, especially during repetitive, monotonous operations. Always be sure of position of your hands relative to the blade.
- Never remove material guide.
- Stay clear of end pieces that may fall after cutting off. They may be hot, sharp and/or heavy. Serious personal injury may result.

**⚠ WARNING:** DO NOT modify and/or use this tool for any application other than for which it was designed.

**⚠ WARNING:** Exercise extreme caution when cutting blind into conduit and pipe. Be sure the object being cut does not contain electrical wires, gases, or water, etc., which could create hazardous conditions causing personal injury and property damage.

**⚠ WARNING:** Some dust created by power sanding, sawing, grinding, drilling, and other construction activities contains chemicals known to cause cancer, birth defects or other reproductive harm. Some examples of these chemicals are:

- lead from lead-based paints,
- crystalline silica from bricks and cement and other masonry products, and
- arsenic and chromium from chemically-treated lumber (CCA).

Your risk from these exposures varies, depending on how often you do this type of work. To reduce your exposure to these chemicals: work in a well ventilated area, and work with approved safety equipment, such as those dust masks that are specially designed to filter out microscopic particles.

- Avoid prolonged contact with dust from power sanding, sawing, grinding, drilling, and other construction activities. Wear protective clothing and wash exposed areas with soap and water. Allowing dust to get into your mouth, eyes, or lay on the skin may promote absorption of harmful chemicals.

**⚠ WARNING:** Use of this tool can generate and/or disburse dust, which may cause serious and permanent respiratory or other injury. Always use NIOSH/OSHA approved respiratory protection appropriate for the dust exposure. Direct particles away from face and body.

- The label on your tool may include the following symbols. The symbols and their definitions are as follows:

V .....	volts	A .....	amperes
Hz .....	hertz	W .....	watts
min .....	minutes	~ .....	alternating current
====	direct current	n <sub>o</sub> .....	no load speed
□ .....	Class II Construction	⊕ .....	earthing terminal
⚠ .....	safety alert symbol	.../min .....	revolutions per minute
sfpm .....	surface feet per minute		

#### SAVE THESE INSTRUCTIONS

#### COMPONENTS (FIG. 1, 2)

- |                            |                       |
|----------------------------|-----------------------|
| A. Auxiliary handle        | I. Speed knob         |
| B. Sight light             | J. Rubber bumpers     |
| C. Trigger switch          | K. Hang hook          |
| D. Main handle             | L. Pulley             |
| E. Material guide          | M. Blade guard        |
| F. Guide rollers           | N. Rubber tires       |
| G. Guide roller adjustment | O. Blade              |
| H. Blade tension lever     | P. Sight light switch |

#### ASSEMBLY

##### Blades

This portable band saw is setup for use with .020" (0.5 mm) thick, 1/2" (12.5 mm) wide and 44-7/8" (1140 mm) long blades. To use .025 (.64 mm) thick blades, please contact an authorized DeWALT service center.

**⚠ CAUTION:** The use of any other blade or accessory might be hazardous. DO NOT use any other type of accessory with your band saw. Blades used on stationary band saws are of different thickness. Do not attempt to use them on your portable unit.

##### Blade Selection

In general, first consider the size and shape of the work, and the type of material to be cut. Remember, for the most efficient cutting, the coarsest tooth blade possible should be used in a given application, because the coarser the tooth, the faster the cut. In selecting the appropriate number of teeth per inch of the band saw blade, at least two teeth should contact the work surface when the blade is rested against the workpiece. As a rule of thumb, soft materials usually require coarse tooth blades, while hard materials require fine tooth blades. Where a smoother finish is important, select one of the finer tooth blades.

Select the appropriate band saw blade according to the material type, dimensions, and number of teeth. See **Blade Description** chart.

**⚠ CAUTION:** The following table is intended as a general guide only. Determine the type of material and dimension of the workpiece and select the most appropriate band saw blade.

**⚠ CAUTION:** Never use the band saw to cut resin materials which are subject to melting. Melting of resin material caused by high heat generated during cutting may cause the band saw blade to become bound to the material, possibly resulting in overload and burn-out of the motor.

Type of band saw blade	BLADE DESCRIPTION					
	Bi-Metal					
Number of teeth	24	18	14	10	14/18	10/14
Workpiece thickness						
1/8" and under	•	•				
1/8" - 1/4"			•		•	
1/4" - 13/32"				•		•
13/32" and over				•		

##### Blade Speed

Your D28770 portable band saw is equipped with variable speed for greater versatility. Turn the speed knob (I) to select the desired speed (Fig. 1).

When cutting copper, brass, bronze, aluminum, cast iron, angle iron, and mild steel, use a higher speed. Rotate the speed knob to a higher speed.

When cutting plastic pipe, tougher steels, chrome steel, tungsten steel, stainless steel, and other problem materials, use low speed. Rotate the speed knob to a lower speed.

**NOTE:** When cutting plastic pipe, higher speeds may melt plastic.

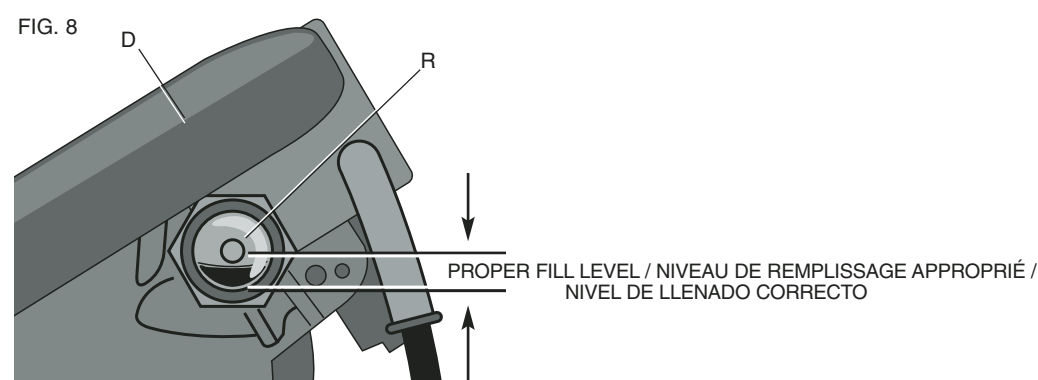
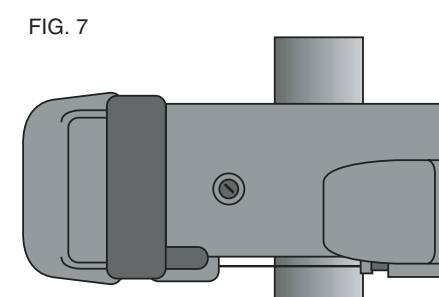
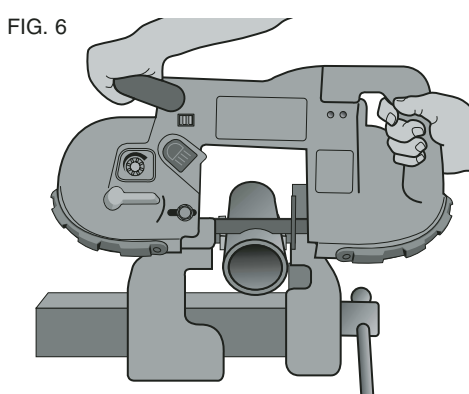
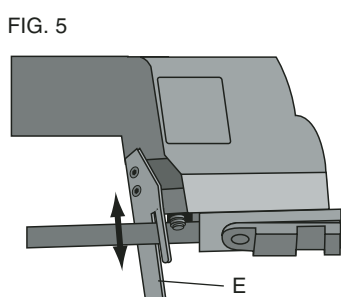
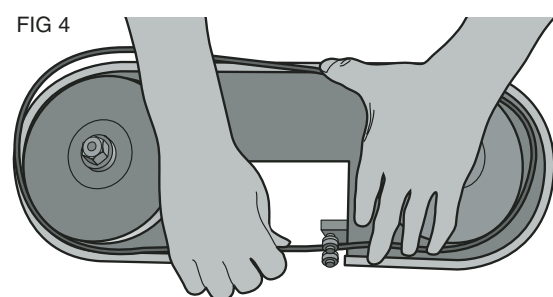
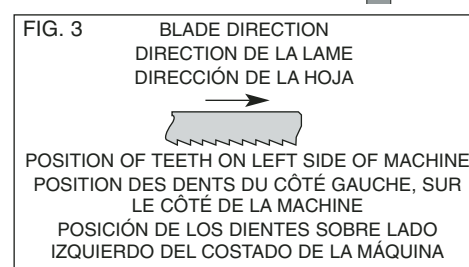
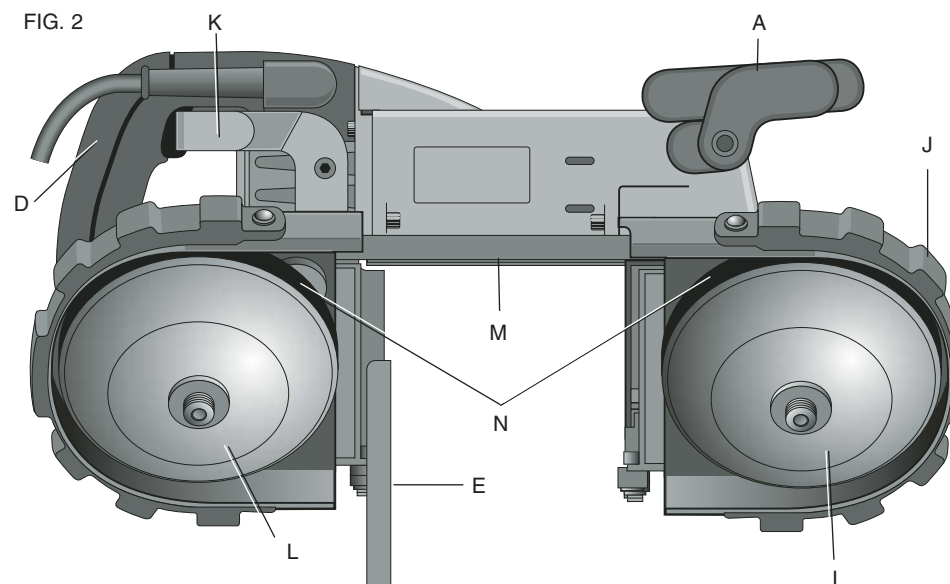
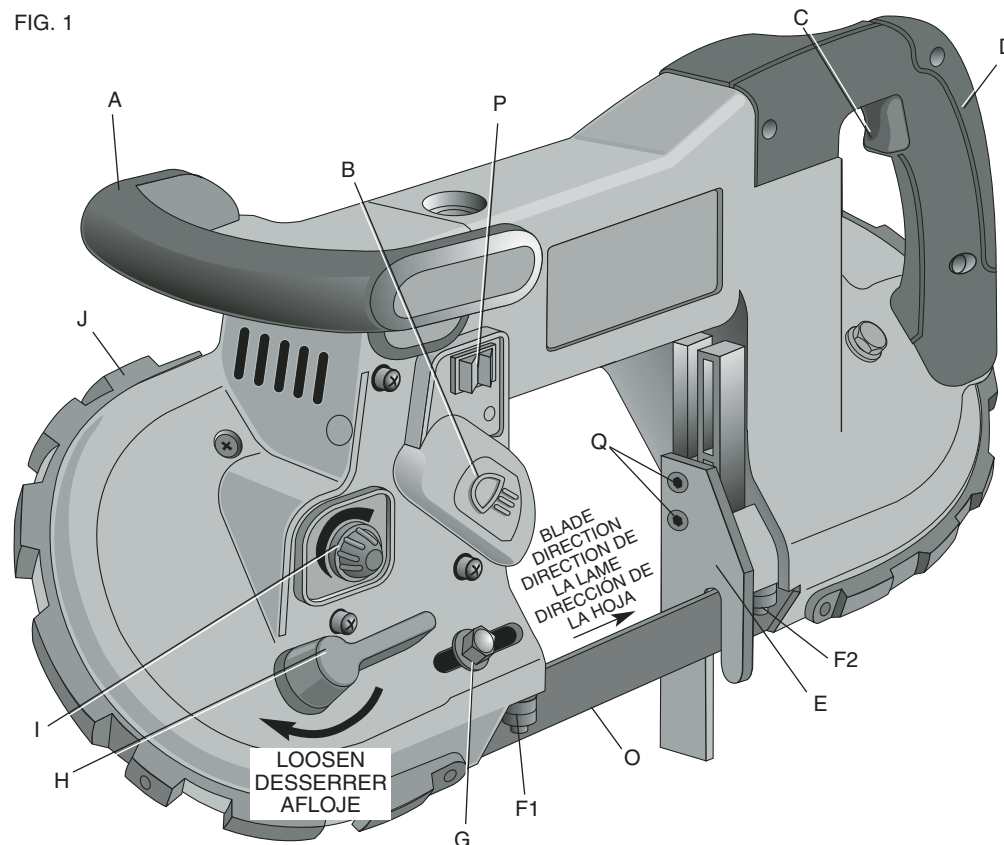
##### Removing and Installing Blades

**⚠ CAUTION:** Turn off and unplug the tool before making any adjustments or removing/installing attachments or accessories.

**⚠ CAUTION:** Blade tension lever is under spring pressure. Maintain control of lever when releasing blade tension.

##### TO REMOVE BLADE (FIG. 1, 2)

1. Rotate the blade tension lever (H) clockwise until it stops to release tension in blade.
2. Turn the saw over and place it on a workbench or table with the cord to the left.
3. Begin removing the blade at the blade guard (M) and continue around the pulleys (L). When removing the blade, tension may be released and the blade may spring free. SAW BLADES ARE SHARP. USE CARE IN HANDLING THEM.



4. Inspect the guide rollers (F1, F2) and remove any large chips which may be lodged in them. Lodged chips can prevent rotation of the guide rollers and cause flat spots on the guide rollers.
5. Rubber tires (N) are mounted on the pulleys (L). The rubber tires should be inspected for looseness or damage when changing the blade. Wipe any chips from the rubber tires on the pulleys. This will extend tire life and keep the blades from slipping. If any looseness or damage occurs, the tool should be brought to an authorized DeWALT service center for repair or replacement as soon as possible. Continued use of the tool with loose or damaged rubber tires will cause unstable travel of the band saw blade.

#### TO INSTALL BLADE

1. Position the blade so that the teeth are on the bottom and angled toward the material guide, as shown in Figures 1 and 3.
2. Slip the blade into the guide rollers, as shown in Figure 4.
3. Holding the blade in the guide rollers, place it around both pulleys (L) and through the material guide (E), as shown in Figure 5.
4. Make sure that the blade is fully inserted into the guide rollers and positioned squarely against the rubber tires.
5. Gently turn the saw over so that the pulleys rest on your work bench or table and rotate the blade tension lever (H) counterclockwise until it stops. Make sure the teeth face away from the bandsaw (Fig. 1, 3).
6. Turn the saw on and off a few times to ensure that the blade is seated properly.

#### Adjustments

**⚠ CAUTION:** Turn off and unplug the tool before making any adjustments or removing/installing attachments or accessories.

#### MATERIAL GUIDE ADJUSTMENT

To support large workpieces, the material guide should be lowered following these steps:

1. Loosen the two M6 screws (Q), shown in Figure 1, with the Allen wrench provided.
2. Move the material guide (E) to the desired position (Fig 5).
3. Securely tighten M6 screws.

#### LOCATION ADJUSTMENT OF GUIDE ROLLERS - for straighter cuts of smaller pieces

For straight cuts on smaller pieces, adjust the guide rollers using the following steps:

1. Loosen 14mm bolt (G).
2. Move the front guide roller (F1) closer to the material.
3. Tighten 14mm bolt.

#### OPERATION

##### Motor

Be sure your power supply agrees with the voltage marked on the nameplate. 120 Volts AC 60Hz means alternating current only. Voltage decrease of more than 10% will cause loss of power and overheating. All DeWALT tools are factory-tested. If this tool does not operate, check the power supply line for blown fuses and the plug and receptacle for proper contact. There are certain applications for which this tool was designed.

This band saw is designed to cut various types of material up to 4-3/4" (120.7 mm) diameter or 4-3/4" (120.7 mm) x 4-3/4" (120.7 mm) rectangular shape at 90°.

**⚠ WARNING:** Thoroughly remove any oil or grease from the workpiece before securing in a vise or other clamping device. If the workpiece is not secure, it may come loose during the cutting and/or cause breakage, which may result in serious personal injury.

**⚠ WARNING:** Never connect the power tool unless the available AC power is of the same voltage as that specified on the nameplate of the tool. Never connect this power tool to a DC power source.

**⚠ WARNING:** If the power cord is connected to the power source with the trigger switch turned ON the power tool will start suddenly and could cause a serious accident.

##### Trigger Switch

To start the tool, squeeze the trigger switch (C). To turn the tool off, release the switch.

##### Cutting

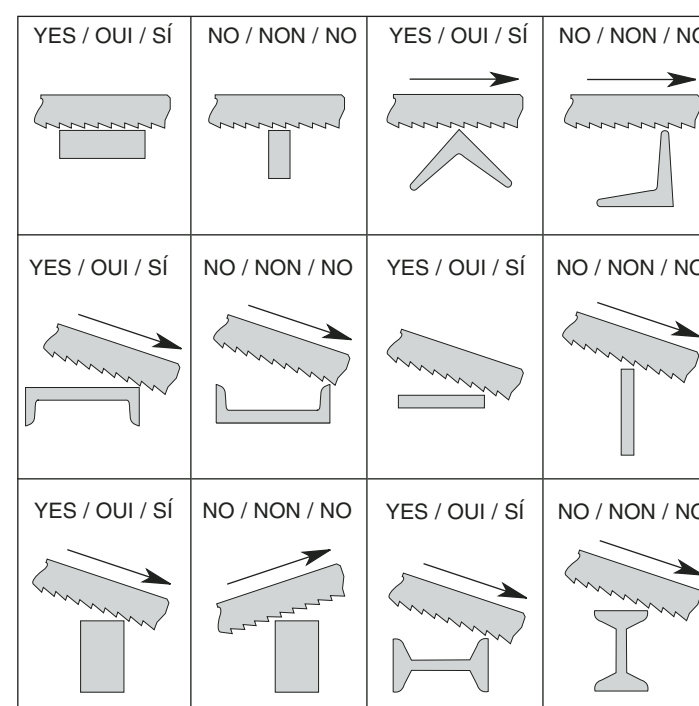
**⚠ CAUTION:** Refer to Figure 9 for recommended cutting positions for various materials.

**NOTE:** Select and use a band saw blade that is most appropriate for the material being cut. See **Blade Description**.

This portable band saw may be hung using the hang hook (K). Hang tool on a pipe vice or other suitable, stable structure. (Fig. 2)

1. Mount the material to be cut solidly in a vise or other clamping device. Never attempt to use this tool by resting it on a work surface and bringing the material to the tool. Always securely clamp the workpiece and bring the tool to the workpiece, securely holding the tool with two hands as shown in Figure 6.
2. If additional light is needed, a sight light (B) can be activated using the sight light switch (P) as shown in Figure 1. If replacement is required, return to an authorized service center or other qualified service personnel, always using identical replacement parts.
3. Bring the material guide (E) into contact with the workpiece. Turn the saw ON.
4. When saw reaches desired rotation speed, slowly and gently tilt the main body of the tool to bring the band saw blade into contact with the workpiece. Do not apply additional pressure in excess of the weight of the main body of the tool. Carefully avoid bringing the band saw blade suddenly and heavily into contact with the upper surface of the workpiece. This will cause serious damage to the band saw blade. To obtain maximum service life of the band saw blade, ensure there is no sudden impact at the beginning of the cutting operation.
5. As shown in Figures 6 and 7, straight cutting can be accomplished by keeping the band saw blade aligned with the side surface of the motor housing. Any twisting or cocking of the blade will cause the cut to go offline and decrease the life of the blade.

FIG. 9 RECOMMENDED CUTTING POSITIONS / POSITIONS DE COUPE RECOMMANDÉES / POSICIONES DE CORTE RECOMENDADAS



Item	Model	D28770
<b>Motor</b>	Type	Protected type, series commutator motor
	Power source	single-phase, AC 60Hz
	Voltage	120 volts
	Full-load current	6 amp
<b>Band Saw</b>	Dimensions	1/2" x 44-7/8" x .020" (12.5 mm x 1140 mm x .5 mm)
<b>Blade</b>	Peripheral speed	80 - 280 ft/min (25-85 m/min)
<b>Max. Cutting Dimensions</b>	Pipe outer dimensions	4-3/4" (120,7 mm)
	Stock	4-3/4" x 4-3/4" (120,7 mm x 120,7 mm)
<b>Net Weight</b>		15 lbs. (6.8 kg)
<b>Cord</b>		3 conductor type captive cable 8.0 ft. (2.4 m)

Article	Modèle	D28770
<b>Moteur</b>	Type	Type protégé, série moteur à collecteur
	Circuit d'alimentation électrique	monophasé, c.a., 60Hz
	Tension	120 volts
	Courant de pleine charge	6 A
<b>Lame de scie à ruban</b>	Dimensions	12,5 mm x 1 140 mm x 0,5 mm (1/2 po x 44-7/8 po x .020 po)
	Vitesse périphérique	25 à 85 m/min (80 à 280 pi/min)
<b>Dimensions maximales de la coupe</b>	Dimensions externes du tuyau	120,7 mm (4-3/4 po)
	Matériau à couper	120,7 mm x 120,7 mm (4-3/4 po x 4-3/4 po)
<b>Poids net</b>		6,8 kg (15 lb)
<b>Cordon</b>		Fiche à 3 broches et à 3 conducteurs de 2,4 m (8,0 pi)

Artículo	Modelo	D28770
<b>Motor</b>	Tipo	Motor conmutador en serie, tipo protegido
	Fuente de alimentación	CA 60 Hz, monofásica
	Voltaje	120 voltios
	Corriente a plena carga	6 amperios
<b>Hoja de la sierra de banda</b>	Dimensiones	12,5 mm x 1 140 mm x 0,5 mm (1/2 pulg. x 44-7/8 pulg. x .020 pulg.)
	Velocidad periférica	25 - 85 m/min (80 - 280 pies/min)
<b>Dimensiones máximas de corte</b>	Dimensiones exteriores de tubería	120,7 mm (4-3/4 pulg.)
	Material a cortar	120,7 x 120,7 mm (4-3/4 x 4-3/4 pulg.)
<b>Peso neto</b>		6,8 kg (15 lb.)
<b>Cable</b>		Cable cautivo de 3 conductores, de 2,4 m (8,0 pies) de largo

▲ **CAUTION:** During cutting, if the band saw becomes locked or jammed in the workpiece material, release the switch immediately to avoid damage to the band saw blade and motor.

6. The tool's own weight provides the most efficient downward cutting pressure. Added operator pressure slows the blade and reduces blade life.
7. End pieces, which would be heavy enough to cause injury when they drop, after cut-off, should be supported. Safety shoes are strongly recommended. End pieces may be hot.
8. Hold the saw firmly in both hands so that the saw does not fall against clamped or supported material when the cut is completed. **DO NOT MAKE ANY SPEED CHANGES UNLESS TOOL HAS BEEN TURNED OFF.**

### Tips for Better Cutting

The following recommendations should be used as a guide. Results may vary with the operator and the particular material being cut.

- Never twist the band saw blade during cutting operation.
- Never use liquid coolants with portable band saws. Use of liquid coolants will cause build-up on tires and reduce performance.
- If excessive vibration occurs during the cut, turn the bandsaw off and adjust the speed slightly. Ensure that the material being cut is is securely clamped down. If vibration continues, change the band saw blade.

### MAINTENANCE

▲ **CAUTION:** To avoid accidental injury, turn off and unplug the tool before making any adjustments, performing any maintenance or inspection of this tool.

#### Lubrication

▲ **WARNING:** Be careful, gear oil may be hot! Contact with hot gear oil may result in personal injury.

▲ **CAUTION:** When adding gear oil, use extreme caution not to permit shavings or dirt to enter oil tank. Damage to tool may result.

The oil gauge in equipped with an O-ring which prevents leakage of the oil. Keep O-ring clean and free of debris. Be sure to reinstall the O-ring when replacing the oil gauge.

#### TO CHECK GEAR OIL

1. Place the main body of the tool on a flat surface. Be sure the level of gear oil is between the "red mark" and the lower portion of the gauge, as shown in Figure 8.
2. If the level is lower than the lower portion of the gauge, loosen and remove the oil gauge (R). Replenish with DeWALT Band Saw Oil only. Failure to do so may void warranty. DeWALT Band Saw Oil is available at your local authorized service center.
3. If the level of gear oil exceeds the "red mark" remove the oil as necessary to bring it to the correct level. Total oil capacity is 30 ml (1.0 fl. oz.). Overfilling may leak oil and damage motor.

#### Cleaning

▲ **CAUTION:** Never use solvents or other harsh chemicals for cleaning the non-metallic parts of the tool. These chemicals may weaken the plastic materials used in these parts. Use a cloth dampened only with water and mild soap. Never let any liquid get inside the tool; never immerse any part of the tool into a liquid.

Periodically remove chips and other waste material from the surface of the power tool by using a damp cloth and mild soap. Many household cleaners contain chemicals which could seriously damage plastic. Also, do not use gasoline, turpentine, lacquer or paint thinner, dry cleaning fluids or similar products. To avoid malfunction of the motor, protect it from contact with oil or water.

#### Repairs

To assure product SAFETY and RELIABILITY, repairs, maintenance and adjustment (including brush inspection and replacement) should be performed by authorized service centers or other qualified service personnel, always using identical replacement parts.

### ACCESSORIES

Recommended accessories for use with your tool are available at extra cost from your local dealer or authorized service center. If you need assistance in locating any accessory for your tool, contact: DeWALT Industrial Tool Co., 701 East Joppa Road, Baltimore, MD 21286.

▲ **CAUTION:** The use of any other accessory not recommended for use with this tool could be hazardous.

### Three Year Limited Warranty

DeWALT will repair, without charge, any defects due to faulty materials or workmanship for three years from the date of purchase. This warranty does not cover part failure due to normal wear or tool abuse. For further detail of warranty coverage and warranty repair information, visit [www.dewalt.com](http://www.dewalt.com) or call 1-800-4-DEWALT. This warranty does not apply to accessories or damage caused where repairs have been made or attempted by others. This warranty gives you specific legal rights and you may have other rights which vary in certain states or provinces.

In addition to the warranty, DeWALT tools are covered by our:

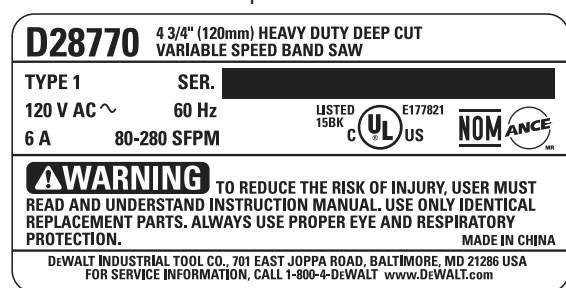
#### 1 YEAR FREE SERVICE

DeWALT will maintain the tool and replace worn parts caused by normal use, for free, any time during the first year after purchase.

#### 90 DAY MONEY BACK GUARANTEE

If you are not completely satisfied with the performance of your DeWALT Power Tool, Laser, or Nailer for any reason, you can return it within 90 days from the date of purchase with a receipt for a full refund — no questions asked.

**FREE WARNING LABEL REPLACEMENT:** If your warning labels become illegible or are missing, call 1-800-4-DEWALT for a free replacement.



SI VOUS AVEZ DES QUESTIONS OU VOUS VOULEZ NOUS FAIRE PART DE VOS COMMENTAIRES CONCERNANT CET OUTIL OU TOUT AUTRE OUTIL DEWALT, COMPOSEZ SANS FRAIS LE : 1 800 433-9258. (1-800-4-DEWALT).

### Consignes de sécurité - généralités

▲ **AVERTISSEMENT :** Lire, comprendre et suivre toutes les directives précisées ci-dessous afin d'éviter les risques de choc électrique, d'incendie ou de blessure grave.

#### CONSERVER CES DIRECTIVES

##### AIRE DE TRAVAIL

- Garder l'aire de travail propre et bien éclairée; les établis encombrés et les endroits sombres sont propices aux accidents.
- Ne pas utiliser les outils électriques dans une atmosphère explosive, comme à proximité de liquides, de gaz ou de poussières inflammables; le moteur peut créer des étincelles et enflammer les vapeurs ou les poussières environnantes.
- Tenir les enfants, les visiteurs ou toute autre personne à l'écart lorsqu'on utilise un outil électrique; les distractions peuvent faire perdre la maîtrise de ce dernier.

##### MESURES DE SÉCURITÉ – ÉLECTRICITÉ

- Les outils mis à la terre doivent être branchés dans une prise correctement installée et mise à la terre tel que l'indiquent les codes et règlements en vigueur. Ne jamais retirer la broche de mise à la terre ou modifier la prise en aucune façon. Ne pas utiliser de fiche d'adaptation. Consulter un électricien qualifié s'il y a un doute en ce qui concerne la mise à la terre de la prise. En cas de défaillance électrique ou de bris de l'outil, la mise à la terre procure un chemin de faible résistance au courant afin de réduire les risques de choc électrique.
- Éviter tout contact entre le corps et les éléments mis à la terre, comme les tuyaux, les radiateurs, les cuisinières et les réfrigérateurs, afin de réduire les risques de choc électrique.
- Ne pas utiliser l'outil électrique dans des endroits mouillés, ni l'exposer à la pluie; l'infiltration d'eau à l'intérieur de l'outil augmente les risques de choc électrique.
- Ne pas utiliser le cordon de manière abusive; on ne doit pas transporter l'outil en tenant par le cordon, ou utiliser ce dernier pour le débrancher. On doit tenir le cordon à l'écart des sources de chaleur, de l'huile, des bords tranchants ou des pièces mobiles. Remplacer immédiatement les cordons endommagés, car ces derniers augmentent les risques de choc électrique.

- Lorsqu'on utilise un outil électrique à l'extérieur, on ne doit utiliser que des rallonges conçues pour cet usage, comme celles de type W-A ou W, afin de réduire les risques de choc électrique. S'assurer que la rallonge est en mesure de porter le courant nécessaire à l'outil. Une rallonge de calibre inférieur entraînera une chute de tension se traduisant par une perte de puissance et une surchauffe. Le tableau ci-dessous illustre les calibres que l'on doit utiliser selon la longueur de la rallonge et l'intensité nominale indiquée sur la plaque signalétique. En cas de doute, utiliser le calibre suivant. Plus le calibre est petit, plus la rallonge peut porter de courant.

#### Calibre minimal des cordons de rallonge

Tension	Longueur totale de la rallonge en mètres			
	De 0 à 7,6	De 7,6 à 15,2	De 15,2 à 30,4	De 30,4 à 45,7
120 V	De 0 à 7,6	De 7,6 à 15,2	De 15,2 à 30,4	De 30,4 à 45,7
240 V	De 0 à 15,2	De 15,2 à 30,4	De 30,4 à 60,9	De 60,9 à 91,4

Intensité nominale (en amperes)

Plus dePas plus deCalibre AWG

0	-	6	18	16	16	14
6	-	10	18	16	14	12

#### SÉCURITÉ PERSONNELLE

- Rester vigilant en tout temps et faire preuve de jugement lorsqu'on utilise un outil électrique. Ne pas utiliser l'outil lorsqu'on est fatigué ou sous l'influence de drogues, d'alcool ou de médicaments, car un moment d'inattention pourrait entraîner des blessures graves.
- Porter des vêtements appropriés. Ne pas porter des vêtements amples ou des bijoux. Couvrir ou attacher les cheveux longs. Garder les cheveux, les vêtements, les bijoux et les gants éloignés des pièces mobiles, car ceux-ci peuvent s'y coincer. Se tenir éloigné des événements puisque ces derniers pourraient camoufler des pièces mobiles.
- Éviter les démarrages accidentels; s'assurer que l'interrupteur est en position d'arrêt avant de brancher l'outil. Ne pas transporter l'outil en laissant le doigt sur l'interrupteur ni le brancher lorsque l'interrupteur est en position de marche, car cela pourrait causer un accident.
- Retirer les clés de réglage avant de démarrer l'outil. Une clé laissée sur une pièce rotative pourrait entraîner des blessures.
- Ne pas trop étendre les bras. Les pieds doivent rester ancrés fermement au sol afin de maintenir son équilibre en tout temps et de mieux maîtriser l'outil dans des situations imprévues.
- Utiliser le matériel de sécurité approprié; toujours porter des lunettes de protection. Porter un masque anti-poussières, des chaussures antidérapantes, un casque de sécurité ou des protecteurs auditifs lorsque la situation le requiert.

#### UTILISATION ET ENTRETIEN DE L'OUTIL

- Fixer et soutenir la pièce sur une plate-forme stable au moyen d'une bride de serrage ou de tout autre dispositif semblable. La pièce est instable lorsqu'on la retient manuellement ou qu'on l'appuie contre le corps, ce qui pourrait faire perdre la maîtrise de l'outil.
- Ne pas forcer l'outil ni l'utiliser pour des travaux autres que ceux pour lesquels il a été conçu. Pour obtenir de meilleurs résultats et prévenir les risques de blessure, laisser l'outil couper à la vitesse pour laquelle il a été conçu.
- Ne pas utiliser l'outil lorsque l'interrupteur marche-arrêt ne fonctionne pas. Tout outil qui ne peut être commandé au moyen de l'interrupteur est dangereux et doit être réparé.
- Débrancher l'outil de la source d'alimentation électrique avant d'effectuer un réglage, de changer les accessoires ou de ranger l'outil; ces mesures de sécurité préventives réduisent les risques de démarrage accidentel.
- Lorsqu'on n'utilise pas l'outil, le ranger hors de la portée des enfants ou des personnes non qualifiées. Les outils sont dangereux entre les mains de personnes inexpérimentées.
- Bien entretenir l'outil; s'assurer qu'il est toujours bien propre et aiguisé. Les outils bien entretenus et dont les bords sont bien tranchants sont moins susceptibles de rester coincés et sont plus faciles à maîtriser.
- Vérifier les pièces mobiles afin de s'assurer qu'elles sont bien alignées et qu'elles ne restent pas coincées. Vérifier également les pièces afin de s'assurer qu'il n'y a aucun bris ni aucune autre condition susceptible de nuire au bon fonctionnement de l'outil. Faire réparer l'outil si ce dernier est endommagé avant de s'en servir à nouveau, car les accidents sont souvent causés par des outils mal entretenus.
- N'utiliser que les accessoires recommandés par le fabricant pour le modèle concerné. Un accessoire destiné à un outil particulier peut devenir dangereux lorsqu'il est utilisé avec un autre.

#### ENTRETIEN

- L'outil doit être entretenu par le personnel qualifié seulement; toute maintenance effectuée par une personne non qualifiée pourrait entraîner des risques de blessure.
- Lors de l'entretien, n'utiliser que des pièces de rechange identiques et suivre les directives précisées à la section « Entretien » du présent guide afin de prévenir les risques de choc électrique ou de blessure.

#### Règles de sécurité additionnelles concernant les scies à ruban portatives

- Tenir l'outil par les surfaces isolées prévues à cette fin lorsqu'il risque d'entrer en contact avec des fils cachés, car de tels contacts peuvent mettre les pièces métalliques de l'outil sous tension, engendrant des risques de choc électrique.
- Tenir les mains éloignées de l'aire de coupe et de la lame. Garder une main sur la poignée principale et l'autre, sur la poignée avant afin d'éviter de perdre la maîtrise de l'outil et de risquer des blessures.
- Toujours s'assurer que la scie à ruban portative est propre avant de l'utiliser.
- Toujours arrêter immédiatement le fonctionnement de la scie lorsqu'on remarque une anomalie.
- Toujours s'assurer que les composants sont installés correctement et fixés solidement avant d'utiliser l'outil.
- Toujours manipuler la lame de la scie à ruban avec soin lorsqu'on l'installe ou qu'on la retire.
- Toujours garder les mains éloignées de la ligne de coupe de la lame de scie.
- Toujours attendre que le moteur ait atteint sa vitesse maximale avant d'amorcer une coupe.
- Toujours s'assurer que les poignées sont propres, sèches et exemptes de toute trace d'huile et de graisse. Tenir fermement l'outil durant son utilisation.
- Rester vigilant en tout temps, surtout lorsqu'on effectue des tâches répétitives et monotones. Toujours s'assurer de bien positionner les mains par rapport à la lame.
- Ne jamais retirer le guide du matériau.
- Rester éloigné des extrémités de la pièce qui peuvent tomber une fois coupées, car elles peuvent être chaudes, tranchantes ou lourdes, ce qui risque d'entraîner des blessures.

▲ **AVERTISSEMENT :** NE PAS modifier ou utiliser l'outil pour des travaux autres que ceux pour lesquels il a été conçu.

▲ **AVERTISSEMENT :** Faire preuve d'une grande prudence lorsqu'on réalise une coupe dans un endroit difficile à voir, comme un conduit ou un tuyau. S'assurer que l'objet à couper ne camoufle pas des fils électriques et qu'il n'est pas rempli de gaz ou d'eau, etc., susceptibles de créer des conditions dangereuses et de causer des blessures graves ou des dommages matériels.

▲ **AVERTISSEMENT :** Certains outils électriques, tels que les sableuses, les scies, les meules, les perceuses ou certains autres outils de construction, peuvent produire de la poussière contenant des produits chimiques susceptibles d'entraîner le cancer, des malformations congénitales ou pouvant être nocifs pour le système reproductif. Parmi ces produits chimiques, on retrouve :

- le plomb dans les peintures à base de plomb;
- la silice cristalline dans les briques et le ciment et autres produits de maçonnerie;
- l'arsenic et le chrome dans le bois de sciage ayant subi un traitement chimique (comme l'arséniat de cuivre et de chrome).

Le risque associé à de telles expositions varie selon la fréquence avec laquelle on effectue ces travaux. Pour réduire l'exposition à de tels produits, il faut travailler dans un endroit bien aéré et utiliser le matériel de sécurité approprié, tel un masque anti-poussières spécialement conçu pour filtrer les particules microscopiques

- Éviter tout contact prolongé avec la poussière soulevée par cet outil ou autres outils électriques. Porter des vêtements de protection et nettoyer les parties exposées du corps à l'eau savonneuse. S'assurer de bien se protéger afin d'éviter d'absorber par la bouche, les yeux ou la peau des produits chimiques nocifs.

▲ **AVERTISSEMENT :** Cet outil peut produire et répandre de la poussière susceptible de causer des dommages sérieux et permanents au système respiratoire. Toujours utiliser un appareil respiratoire anti-poussières approprié approuvé par le NIOSH ou l'OSHA. Diriger les particules dans le sens opposé du visage et du corps.

- L'étiquette apposée sur l'outil peut afficher les symboles suivants. Ces symboles et leurs définitions sont les suivants :
 

V	.....volts	A	.....ampères
Hz	.....hertz	W	.....watts
min	.....minutes	~	.....courant alternatif
====	.....courant continu	No	.....vitesse à vide
⊞	.....construction de classe II	⊕	.....borne de terre
▲	.....symbole d'avertissement	...../min	.....tours par minute
sppm	.....surface de sciage par minute		

#### CONSERVER CES DIRECTIVES

**COMPOSANTS (Figures 1, 2)**

A. Poignée auxiliaire	I. Commande de vitesse variable
B. Voyant de la mire	J. Butées en caoutchouc
C. Interrupteur à gâchette	K. Crochet de suspension
D. Poignée principale	L. Poulie
E. Guide du matériau	M. Protège-lame
F. Rouleaux de guidage	N. Roues en caoutchouc
G. Bouton de réglage du rouleau de guidage	O. Lame
H. Levier de réglage de tension de la lame	P. Interrupteur du voyant de la mire

**ASSEMBLAGE****Lames**

La scie à ruban portable est conçue pour être utilisée avec des lames de 0,5 mm (0,020 po) d'épaisseur, 12,5 mm (1/2 po) de largeur et 1 140 mm (44-7/8 po) de longueur. Pour utiliser des lames de 0,64 mm (0,025 po) d'épaisseur, veuillez communiquer avec un centre de service autorisé DeWALT.

**⚠ MISE EN GARDE :** L'usage de toute autre lame ou de tout autre accessoire peut présenter un danger. NE PAS utiliser un autre type d'accessoire avec la scie à ruban. Les lames utilisées avec une scie à ruban fixe ont une épaisseur différente; ne pas tenter de les utiliser avec une scie portable.

**Sélection de la lame**

En général, on doit d'abord considérer la dimension et la forme de la pièce ainsi que le type de matériau à couper. Il est à noter que pour obtenir la coupe la plus efficace, on doit utiliser une lame dotée des plus grosses dents possibles pour une application donnée, car plus les dents sont grosses, plus la coupe est rapide. Lorsqu'on choisit le nombre approprié de dents par pouce de lame de scie à ruban, au moins deux d'entre elles doivent entrer en contact avec la surface de travail lorsqu'on repose la lame contre la pièce. En règle générale, les matériaux mous exigent normalement des lames à grosses dents, alors que les matériaux durs requièrent des lames à dents fines. Lorsqu'un fini plus lisse est important, on doit sélectionner une des lames les plus fines possibles.

Sélectionner la lame de scie à ruban appropriée selon le type de matériau, les dimensions de la pièce et le nombre de dents de scie. Voir le tableau « Description de la lame ».

**⚠ MISE EN GARDE :** Le tableau suivant n'est offert qu'à titre indicatif; déterminer le type de matériau et la dimension de la pièce, puis sélectionner la lame de scie à ruban la plus appropriée.

**⚠ MISE EN GARDE :** Ne jamais utiliser la scie à ruban pour couper des matériaux en résine susceptibles de fondre lorsqu'ils sont en présence d'une chaleur élevée générée durant la coupe, car cela pourrait immobiliser la scie dans le matériau, ce qui risque d'entraîner la surcharge et le grillage du moteur.

DESCRIPTION DE LA LAME						
Type de lame de scie à ruban	Bi-métallique					
Nombre de dents	24	18	14	10	14/18	10/14
Épaisseur de la pièce						
3,2 mm (1/8 po) et moins	*	*				
de 3,2 à 6,4 mm (1/8 à 1/4 po)			*		*	
de 6,4 à 10,3 mm (1/4 à 13/32 po)				*		*
10,3 mm (13/32 po) et plus				*		

**Vitesse de la lame**

La scie à ruban portable modèle D28770 est munie d'une commande de vitesse variable afin d'améliorer son rendement.

Tourner la commande de vitesse variable (I) afin de sélectionner la vitesse voulue (fig. 1).

Pour la coupe du cuivre, du laiton, du bronze, de l'aluminium, de la fonte, du fer d'angle et de l'acier doux, utiliser une plus haute vitesse. Pour ce faire, tourner le bouton de manière à obtenir une vitesse plus élevée.

Pour la coupe de tuyaux en plastique, de l'acier dur, de l'acier au chrome, de l'acier au tungstène, de l'acier inoxydable et d'autres matériaux susceptibles de présenter des problèmes, utiliser une plus basse vitesse. Pour ce faire, tourner le bouton de manière à obtenir une vitesse plus faible.

**REMARQUE :** Lors de la coupe de tuyaux en plastique, l'outil peut faire fondre le plastique à des vitesses plus élevées.

**Retrait et Installation des lames**

**⚠ MISE EN GARDE :** Arrêter et débrancher l'outil avant d'effectuer un réglage ou de retirer ou d'installer les pièces ou accessoires.

**⚠ MISE EN GARDE :** Le levier de réglage de tension de la lame est maintenu sous tension grâce à un ressort. Maintenir le contrôle du levier lorsque la tension de la lame est relâchée.

**POUR RETIRER LA LAME (FIGURES 1, 2)**

1. Tourner le levier de réglage de tension de la lame (H) vers la droite jusqu'à ce qu'il s'arrête afin de relâcher la tension de la lame.
2. Tourner la scie à l'envers et la placer sur un établi ou sur une table, le cordon vers la gauche.
3. Retirer d'abord la lame près du protège-lame (M), puis autour des poulies (L). Il se peut, en retirant la lame, qu'elle devienne moins tendue et qu'elle se libère soudainement. LES LAMES DE SCIE SONT TRANCHANTES. LES MANIPULER AVEC SOIN.
4. Inspecter les rouleaux de guidage (F1, F2) et retirer les gros copeaux qui y sont restés coincés, car ceux-ci peuvent gêner la rotation des rouleaux et les aplatir à certains endroits.
5. Les roues en caoutchouc (N) sont montées sur des poulies (L); on doit les examiner afin de s'assurer qu'elles sont bien fixées et libres de tout dommage lorsqu'on change la lame. Essuyer les roues près des poulies afin d'éliminer les copeaux et de prolonger ainsi leur durée de vie et d'empêcher la lame de glisser. Si les roues ne sont pas bien serrées ou qu'elles sont endommagées, on doit apporter immédiatement l'outil dans un centre de service autorisé DeWALT afin de le faire réparer ou remplacer. La course de la lame sera instable si on continue à utiliser l'outil dans une telle condition.

**POUR INSTALLER LA LAME**

1. Positionner la lame de manière à ce que les dents soient orientées vers le bas et mises en angle vers le guide du matériau, tel qu'illustré à la figure 1 et 3.
2. Faire glisser la lame dans les rouleaux de guidage, tel qu'illustré à la figure 4.
3. Retenir la lame dans les rouleaux de guidage et la placer autour des deux poulies (L), puis à travers le guide du matériau (E), tel qu'illustré à la figure 5.
4. S'assurer que la lame est bien enfoncée dans les rouleaux de guidage et positionnée perpendiculairement contre les roues en caoutchouc.
5. Tourner doucement la scie à l'envers afin de reposer les poulies sur un établi ou une table et tourner le levier de réglage de tension de la lame (H) vers la gauche jusqu'à ce qu'il s'arrête. S'assurer que les dents sont orientées vers le sens opposée de la scie à ruban (fig. 1, 3).
6. Démarrer et arrêter l'outil plusieurs fois afin de s'assurer que la lame est fixée correctement.

**Réglages**

**⚠ MISE EN GARDE :** Arrêter et débrancher l'outil avant d'effectuer un réglage ou de retirer ou d'installer les pièces ou accessoires.

**RÉGLAGE DU GUIDE DU MATÉRIAU**

Pour soutenir les pièces de grande dimension, baisser le guide du matériau en suivant les étapes décrites ci-dessous :

1. Desserrer les deux vis M6 (Q) illustrée à la figure 1 au moyen de la clé Allen fournie.
2. Déplacer le guide du matériau (E) jusqu'à la position voulue (fig 5).
3. Serrer fermement les vis M6.

**RÉGLAGE DE L'EMPLACEMENT DES ROULEAUX DE GUIDAGE en vue de réaliser une coupe droite de pièces de petite dimension**

Pour réaliser une coupe droite d'une pièce de petite dimension, régler les rouleaux de guidage en suivant les étapes décrites ci-dessous :

1. Desserrer le boulon de 14 mm (G).
2. Déplacer le rouleau de guidage avant (F1) plus près du matériau.
3. Serrer le boulon de 14 mm.

**FONCTIONNEMENT****Moteur**

On doit s'assurer que l'intensité nominale du cordon d'alimentation corresponde à celle indiquée sur la plaque signalétique; sur cette dernière, la mention « 120 V c.a., 60 Hz » signifie que l'outil ne doit être branché que dans une prise de courant alternatif. Une chute de tension de plus de 10 % entraînera une perte de puissance et une surchauffe. Tous les outils DeWALT sont soumis à des essais en usine; si cet outil ne fonctionne pas, on doit d'abord vérifier la ligne d'alimentation électrique afin de s'assurer qu'il n'y a aucun fusible grillé et qu'il y a un bon contact entre la fiche et la prise.

Il y a certaines applications pour lesquelles cet outil a été conçu.

Cette scie à ruban est conçue pour la coupe de divers types de matériaux de 120,7 mm (4-3/4 po) de diamètre ou moins ou de forme rectangulaire de 120,7 mm (4-3/4 po) sur 120,7 mm (4-3/4 po) à un angle de 90 °.

**⚠ AVERTISSEMENT :** Enlever toute trace d'huile ou de graisse de la pièce avant de la fixer dans un étau ou tout autre dispositif de retenue. Si la pièce n'est pas bien retenue, elle peut se détacher durant la coupe ou causer un bris, ce qui pourrait entraîner des risques de blessure grave.

**⚠ AVERTISSEMENT :** Ne jamais raccorder cet outil électrique dans une prise de courant alternatif dont l'intensité nominale ne correspond pas à celle indiquée sur la plaque signalétique; ne jamais raccorder cet outil électrique dans une prise de courant continu.

**⚠ AVERTISSEMENT :** Si le cordon d'alimentation est raccordé à une source d'alimentation électrique lorsque l'interrupteur à gâchette est en position de marche, l'outil se mettra en marche soudainement, ce qui risque de causer un accident grave.

**Interrupteur à gâchette**

Pour mettre l'outil en marche, appuyer sur l'interrupteur à gâchette (C). Pour arrêter l'outil, relâcher l'interrupteur.

**Coupes**

**⚠ MISE EN GARDE :** Consulter la figure 9 afin de connaître les positions de coupe recommandées pour divers matériaux.

**REMARQUE :** Sélectionner et utiliser la lame de scie à ruban qui convient le mieux au matériau à couper. Voir le tableau « Description de la lame ».

La scie à ruban portable peut être suspendue au moyen du crochet de suspension (K). Suspendre l'outil à un étau à tuyaux ou à toute autre structure stable appropriée (fig. 2).

1. Installer solidement le matériau à couper dans un étau ou tout autre dispositif de retenue. Ne jamais tenter d'utiliser cet outil en le reposant sur la surface de travail et en déplaçant le matériau vers l'outil. Toujours s'assurer que le matériau à couper est fixé solidement. Toujours déplacer l'outil vers le matériau à couper en tenant fermement l'outil des deux mains, tel qu'illustré à la figure 6.
2. Si un éclairage additionnel est requis, on peut allumer le voyant de la mire (B) au moyen de son interrupteur (P), tel qu'illustré à la figure 1. Il peut s'avérer nécessaire de le remplacer. Si tel est le cas, la retourner à un centre de service autorisé; elle ne doit être remplacée que par un technicien qualifié au moyen de pièces de rechange identiques.
3. Mettre le guide du matériau (E) en contact avec la pièce, puis mettre la scie en marche.
4. Lorsque la scie atteindra la vitesse de rotation désirée, incliner lentement et doucement le corps principal de l'outil afin que la lame entre en contact avec la pièce. N'exercer aucune pression additionnelle supérieure au poids du corps principal de l'outil. Prendre soin de ne pas mettre la lame en contact avec la surface supérieure de la pièce de façon trop subite et brusque afin d'éviter d'endommager sérieusement la lame. Afin d'optimiser la durée de vie de la lame de la scie à ruban, éviter les impacts soudains au début de l'opération de coupe.
5. Tel qu'illustré aux figures 6 et 7, on peut réaliser une coupe droite en gardant la lame de la scie à ruban alignée avec la surface latérale du carter du moteur. Toute lame tordue ou ondulée sera entraînée hors de la ligne de coupe, ce qui réduira sa durée de vie.

**⚠ MISE EN GARDE :** Durant la coupe, si la scie à ruban se bloque ou se verrouille dans la pièce, mettre immédiatement relâcher l'interrupteur afin d'éviter d'endommager la lame et le moteur.

6. Le poids de l'outil à lui seul fournit la pression vers le bas nécessaire pour réaliser une coupe efficace; toute pression additionnelle exercée par l'opérateur ralentira la lame et réduira sa durée de vie.
7. Toute extrémité de la pièce suffisamment lourde pour blesser l'opérateur doit être soutenue lorsqu'elle se détache. On recommande fortement le port de chaussures de sécurité. Les extrémités peuvent être chaudes.
8. Une fois la coupe terminée, tenir fermement la scie des deux mains afin d'éviter qu'elle ne tombe et qu'elle entre en contact avec les matériaux retenus ou soutenus. **TOUJOURS METTRE L'OUTIL HORS TENSION AVANT DE MODIFIER LA VITESSE.**

**Conseils pratiques pour obtenir une meilleure coupe**

Les recommandations suivantes doivent servir de guide. Les résultats obtenus peuvent varier selon l'opérateur et le matériau utilisé.

- Ne jamais tordre la lame de la scie à ruban durant la coupe.
- Ne jamais utiliser de liquides de refroidissement avec une scie à ruban portable afin d'éviter qu'ils ne s'accumulent sur les roues et de réduire ainsi le rendement de l'outil.
- En présence d'une vibration excessive durant la coupe, arrêter la scie à ruban et régler légèrement la vitesse. S'assurer que le matériau à couper est fixé solidement. Si le problème persiste, changer la lame de la scie à ruban.

**ENTRETIEN**

**⚠ MISE EN GARDE :** Pour éviter les blessures accidentelles, arrêter et débrancher l'outil avant d'effectuer le réglage, l'entretien ou l'inspection de l'outil.

**Lubrification**

**⚠ AVERTISSEMENT :** Attention! L'huile d'engrenages peut être chaude! Tout contact avec de l'huile d'engrenages chaude pourrait entraîner des blessures.

**⚠ MISE EN GARDE :** Lorsqu'on ajoute de l'huile d'engrenages, on doit faire preuve d'une grande prudence afin d'empêcher les particules ou la saleté de pénétrer à l'intérieur du réservoir d'huile, ce qui risque d'endommager l'outil.

La jauge d'huile est munie d'un joint torique qui empêche les fuites d'huile. Toujours s'assurer que le joint torique est propre et exempt de débris. S'assurer de le réinstaller chaque fois qu'on remplace la jauge d'huile.

**POUR VÉRIFIER L'HUILE D'ENGRENAGES**

1. Placer le corps principal de l'outil sur une surface plane, en s'assurant que le niveau d'huile d'engrenages se situe entre la « marque rouge » et la section inférieure de la jauge, tel qu'illustré à la figure 8.
2. Si le niveau est plus bas que la section inférieure de la jauge, desserrer et retirer la jauge d'huile (R) et remplir l'outil avec de l'huile pour scie à ruban DeWALT seulement. Le non-respect de cette consigne pourrait annuler la garantie du produit. L'huile pour scies à ruban DeWALT est vendue dans les centres de service autorisés locaux.
3. Si le niveau d'huile d'engrenages dépasse la « marque rouge », enlever l'excès d'huile afin d'obtenir le niveau voulu. La capacité totale d'huile est de 30 ml (1,0 once liquide) onces liquides). Un remplissage excessif risque de causer une fuite d'huile et d'endommager le moteur.

**Nettoyage**

**⚠ MISE EN GARDE :** Ne jamais utiliser de solvant ou d'autres produits chimiques pour nettoyer les pièces non métalliques de l'outil. De tels produits peuvent endommager les matières plastiques de ces pièces; ne les nettoyer qu'au moyen d'un linge humide et de savon doux. Ne jamais laisser de liquide s'infiltrer à l'intérieur de l'outil; ne jamais immerger ce dernier dans quelque liquide que ce soit.

Nettoyer régulièrement la surface de l'outil électrique au moyen d'un linge humide et de savon doux afin d'éliminer les copeaux et les matériaux excédentaires. Plusieurs nettoyants domestiques contiennent des produits chimiques qui peuvent gravement endommager le plastique; ne pas utiliser d'essence, de térébenthine, de décapant, de diluant pour peintures, de produits de nettoyage à sec ou d'autres produits de même nature. Afin d'éviter le mauvais fonctionnement du moteur, le protéger contre tout contact avec de l'huile ou de l'eau.

**Réparations**

Pour assurer la SÉCURITÉ et la FIABILITÉ de ce produit, toutes les opérations de réparation, d'entretien et de réglage doivent être effectuées dans un centre de service autorisé ou par du personnel qualifié (cela comprend l'inspection et le remplacement du balai); on ne doit utiliser que des pièces de rechange identiques.

**Accessoires**

Les accessoires recommandés pour cet outil sont vendus séparément chez les dépositaires locaux ou dans les centres de service autorisés. Pour obtenir plus d'information sur les accessoires, communiquer avec DeWALT Industrial Tool Co., 701 East Joppa Road, Baltimore, MD 21286, aux États-Unis.

**⚠ MISE EN GARDE :** L'utilisation de tout autre accessoire non recommandé avec cet outil pourrait être dangereuse.

**Garantie limitée de trois ans**

DeWALT réparera, sans frais, tout produit défectueux causé par un défaut de matériel ou de fabrication pour une période de trois ans à compter de la date d'achat. La présente garantie ne couvre pas les pièces dont la défectuosité a été causée par une usure normale ou l'usage abusif de l'outil. Pour obtenir de plus amples renseignements sur les pièces ou les réparations couvertes par la présente garantie, visiter le site www.dewalt.com ou composer le 1 800 433-9258 (1 800 4-DeWALT). Cette garantie ne s'applique pas aux accessoires et ne vise pas les dommages causés par des réparations effectuées par un tiers. Cette garantie confère des droits légaux particuliers à l'acheteur, mais celui-ci pourrait aussi bénéficier d'autres droits variant d'un état ou d'une province à l'autre.

En plus de la présente garantie, les outils DeWALT sont couverts par notre

**CONTRAT D'ENTRETIEN GRATUIT D'UN AN**

DeWALT entretiendra l'outil et remplacera les pièces usées au cours d'une utilisation normale et ce, gratuitement, pendant une période d'un an à compter de la date d'achat, et la

**GARANTIE DE REMBOURSEMENT DE 90 JOURS**

Si l'acheteur n'est pas entièrement satisfait, pour quelque raison que ce soit, du rendement de l'outil électrique, du laser ou de la cloueuse DeWALT, celui-ci peut le retourner, accompagné d'un reçu, dans les 90 jours à compter de la date d'achat, pour obtenir un remboursement intégral, sans aucun problème.

**REMPLACEMENT GRATUIT DE L'ÉTIQUETTE D'AVERTISSEMENT :** En cas de perte ou d'endommagement des étiquettes d'avertissement, composer le 1 800 433-9258 (1-800-4-DeWALT) afin d'en obtenir de nouvelles sans frais.



**Instrucciones de seguridad generales**

⚠️ **¡ADVERTENCIA!** Lea todas las instrucciones hasta comprenderlas. No ajustarse a las instrucciones siguientes puede ser causa de choque eléctrico, incendio o lesiones graves.

**CONSERVE ESTAS INSTRUCCIONES**

**ÁREA DE TRABAJO**

- Mantenga el área de trabajo limpia y bien iluminada. Las bancadas desordenadas y las zonas oscuras propician los accidentes.
- No opere herramientas eléctricas en atmósferas explosivas, como en presencia de líquidos, gases o polvos inflamables. Las herramientas eléctricas producen chispas que pueden originar la ignición del polvo o los vapores.
- Mientras opere una herramienta eléctrica, mantenga lejos a los observadores, niños y visitantes. Las distracciones pueden ocasionar que pierda el control.

**SEGURIDAD ELÉCTRICA**

- Las herramientas con conexión a tierra deben conectarse a una toma de corriente debidamente instalada y con conexión a tierra, de acuerdo con todos los códigos y ordenanzas aplicables. Nunca quite la pata de conexión a tierra ni modifique el enchufe en ninguna manera. No emplee ningún adaptador para enchufes. Si tiene alguna duda acerca de si la toma de corriente está debidamente conectada a tierra, consulte a un electricista calificado. Si las herramientas presentasen fallas eléctricas o averías, la conexión a tierra ofrece una vía de baja resistencia para alejar la corriente eléctrica del usuario.
- Evite el contacto del cuerpo con superficies conectadas a tierra, tales como tuberías, radiadores, registros y refrigeradores. El riesgo de choque eléctrico aumenta si su cuerpo hace tierra.
- No exponga las herramientas eléctricas a la lluvia o a condiciones de mucha humedad. Si entra agua en una herramienta eléctrica, aumenta el riesgo de choque eléctrico.
- No maltrate el cable. Nunca tome el cable para transportar la herramienta ni para desconectarla del enchufe. Mantenga el cable alejado de las fuentes de calor, el aceite, las orillas afiladas o las piezas en movimiento. Cambie inmediatamente los cables dañados. Los cables dañados aumentan el peligro de choque eléctrico.
- Cuando opere una máquina herramienta a la intemperie, utilice un alargador marcado "W-A" o "W". Estos alargadores están clasificados para ser usados a la intemperie y reducen el riesgo de descarga eléctrica. Al usar un alargador, asegúrese de que tenga el calibre necesario para llevar la corriente que su producto requerirá. Un alargador de un calibre insuficiente causará una caída en la tensión de la línea dando por resultado la pérdida de energía y sobrecalentamiento. La tabla siguiente muestra el tamaño correcto para utilizar dependiendo de la longitud del alargador y del amperaje nominal de la placa de identificación. En caso de duda, utilice el de mayor calibre. Cuanto más pequeño es el número del calibre, más resistente es el alargador.

**Calibre mínimo para juegos de cables**

Voltios		Largo total del cable en metros				
		0-7,6	7,6-15,2	15,2-30,4	30,4-60,9	60,9-91,4
120V	0-7,6	7,6-15,2	15,2-30,4	30,4-60,9	60,9-91,4	
240V	0-15,2	15,2-30,4	30,4-60,9	60,9-91,4		

Amperaje Nominal		AWG				
Más de	No más de					
0	6	18	16	16	14	
6	10	18	16	14	12	

**SEGURIDAD PERSONAL**

- Al utilizar una herramienta eléctrica, esté atento, concéntrese en lo que hace y aplique el sentido común. No utilice la herramienta si se encuentra fatigado o bajo la influencia de drogas, alcohol o fármacos. Mientras se utilizan herramientas eléctricas, basta un instante de distracción para sufrir lesiones graves.
- Lleve ropa adecuada. No utilice ropa suelta ni joyas. Recójase el cabello largo. Mantenga el cabello, la ropa y los guantes apartados de las piezas en movimiento. Las partes móviles pueden atrapar las prendas de vestir sueltas, las joyas y el cabello largo. Los orificios de ventilación suelen cubrir piezas en movimiento, por lo que también se deben evitar.
- Evite pestas en marcha accidentales. Asegúrese de que el interruptor esté apagado antes de enchufar la máquina. Transportar las herramientas con el dedo sobre el interruptor o enchufarlas con el interruptor encendido favorece los accidentes.
- Antes de poner en marcha la herramienta, retire las llaves de ajuste. Una llave que se deje en una pieza giratoria de la herramienta puede provocar lesiones.
- No se sobreextienda. Manténgase siempre bien apoyado y equilibrado. Un buen apoyo y equilibrio permiten controlar mejor la herramienta si se produce algún imprevisto.
- Utilice el equipo de seguridad. Lleve siempre lentes protectores. Cuando sea adecuado, también se debe usar mascarilla antipolvo, zapatos de suela antideslizante, casco o protectores auditivos.

**USO Y CUIDADOS DE LA HERRAMIENTA**

- Utilice abrazaderas u otro elemento adecuado para sujetar y apoyar la pieza de trabajo en una plataforma estable. Sujetar la pieza con la mano o contra el cuerpo es inestable y facilita la pérdida de control.
- No fuerce la herramienta. Emplee la herramienta correcta para cada aplicación. La herramienta correcta hace el trabajo mejor y más seguro dentro del rango para el que ha sido diseñada.
- No utilice la herramienta si el interruptor no la enciende y apaga. Cualquier herramienta que no pueda controlarse con el conmutador es peligrosa y se debe reparar.
- Desconecte la clavija del enchufe antes de proceder a cualquier ajuste, cambiar un accesorio o guardar la herramienta. Estas medidas de seguridad preventiva reducen el riesgo de poner en marcha la herramienta accidentalmente.
- Cuando no las utilice, guarde las herramientas fuera del alcance de los niños o de cualquier persona no capacitada. Las herramientas son peligrosas en manos de usuarios no capacitados.
- Cuide las herramientas. Conserve las herramientas de corte afiladas y limpias. Unas herramientas adecuadamente cuidadas y con los bordes de corte afilados se atascan menos y son más fáciles de controlar.
- Compruebe si las piezas móviles se desalinean o atascan, si hay alguna pieza rota o cualquier otra circunstancia que pueda afectar la operación de la herramienta. Si la herramienta está dañada, hágala reparar antes de usarla. Muchos accidentes los provocan unas herramientas mal cuidadas.
- Utilice únicamente los accesorios recomendados por el fabricante para su modelo. Un mismo accesorio puede ser adecuado para una herramienta, pero peligroso si se usa en otra.

**SERVICIO**

- El servicio a la herramienta sólo debe realizarlo personal cualificado. El servicio o mantenimiento realizados por personal no cualificado puede dar como resultado un riesgo de lesiones.
- Al proceder al mantenimiento de una herramienta, utilice únicamente refacciones idénticas. Siga las instrucciones de la sección "Mantenimiento" de este manual. La utilización de piezas no autorizadas, o no respetar las instrucciones de mantenimiento, puede suponer un peligro de choque eléctrico o de lesiones.

**Reglas de seguridad adicionales - Sierras de banda portátiles**

- Sujete la herramienta por las superficies aislantes si lleva a cabo una operación en que la herramienta pueda tocar un conductor oculto. El contacto con un conductor activo provocará que las piezas metálicas de la herramienta conduzcan electricidad y que el operador reciba una descarga.
- Mantenga las manos alejadas del área y de la hoja de corte. Mantenga una mano sobre el mango principal y la otra sobre el mango delantero para evitar perder el control, lo cual podría resultar en lesiones corporales.

- Asegúrese siempre de que la sierra de banda portátil esté limpia antes de utilizarla.
- Detenga siempre la operación de la sierra si nota cualquier anomalía.
- Asegúrese siempre que todas las piezas estén debida y firmemente montadas antes de utilizar la herramienta.
- Maneje siempre la hoja de la sierra de banda con cuidado cuando la monte o retire de la sierra.
- Mantenga siempre las manos alejadas de la trayectoria de la hoja de la sierra de banda.
- Espere siempre a que el motor haya alcanzado su velocidad completa antes de iniciar el corte.
- Mantenga siempre los mangos secos, limpios y libres de aceites y grasas. Sostenga la herramienta con firmeza cuando la use.
- Esté alerta en todo momento, especialmente durante operaciones repetitivas y monótonas. Esté siempre seguro de la posición de sus manos en relación a la hoja.
- Jamás retire la guía del material.
- Manténgase alejado de los extremos que pudieran caer una vez que sean cortados. Pueden estar calientes o ser filudos y/o pesados. Puede resultar en lesiones corporales serias.

⚠️ **ADVERTENCIA:** NO modifique ni utilice esta herramienta para ninguna otra aplicación fuera de la cual para la que fue diseñada.

⚠️ **ADVERTENCIA:** Tenga mucho cuidado cuando haga cortes ciegos en lugares donde hay ductos y tuberías. Asegúrese que el objeto a ser cortado no contenga cables eléctricos, gases o agua, etc., los cuales podrían crear condiciones peligrosas y causar lesiones corporales y daños a su propiedad.

⚠️ **ADVERTENCIA:** Parte del polvo generado al lijar, serrar, esmerilar y taladrar con máquinas herramienta, así como al realizar otras actividades del sector de la construcción, contienen productos químicos que pueden producir cáncer, defectos congénitos u otras afecciones reproductivas. Ejemplos de esas substancias químicas son:

- plomo procedente de pinturas a base de plomo,
- óxido de silicio cristalino procedente de ladrillos, cemento y otros productos de mampostería, y
- arsénico y cromo procedentes de madera tratada químicamente (CCA).

El peligro derivado de estas exposiciones que usted enfrente varía en función de la frecuencia con que se realice este tipo de trabajo. Para reducir la exposición a esas sustancias químicas: trabaje en una zona bien ventilada y llevando equipos de seguridad aprobados, como mascarillas antipolvo especialmente diseñadas para filtrar partículas microscópicas.

• Evite el contacto prolongado con el polvo procedente del lijado, serrado, esmerilado y taladrado eléctricos, así como de otras actividades del sector de la construcción. Lleve ropa protectora y lave con agua y jabón las zonas expuestas. Si permite que el polvo se introduzca en la boca o los ojos o quede sobre la piel, puede favorecer la absorción de productos químicos peligrosos.

⚠️ **ADVERTENCIA:** El uso de esta herramienta puede generar o dispersar polvo lo cual puede causar lesiones respiratorias serias y permanentes y otros tipos de lesión. Siempre use protección respiratoria aprobada por NIOSH/OSHA para la exposición al polvo. Dirija las partículas en dirección opuesta a su cara y cuerpo.

- La etiqueta de su herramienta puede incluir los siguientes símbolos. Los símbolos y sus definiciones son los siguientes:

V.....voltios	A.....amperios
Hz.....hertzios	W .....vatios
min .....minutos	~ .....corriente alterna
=== .....corriente directa	no .....velocidad sin carga
☐ .....construcción de Clase II	⊕ .....terminal con conexión a tierra
⚠️ .....símbolo de alerta de seguridad	.../min .....revoluciones por minuto
s/pm .....pies de superficie por minuto	

**CONSERVE ESTAS INSTRUCCIONES**

**COMPONENTES (FIG. 1, 2)**

- |                                  |                          |
|----------------------------------|--------------------------|
| A. Mango auxiliar                | I. Botón de velocidad    |
| B. Luz                           | J. Parachoques de goma   |
| C. Conmutador tipo gatillo       | K. Gancho para colgar    |
| D. Mango principal               | L. Polea                 |
| E. Guía del material             | M. Protector de la hoja  |
| F. Rodillos de guía              | N. Llantas de goma       |
| G. Ajuste de rodillos de guía    | O. Hoja                  |
| H. Palanca de tensión de la hoja | P. Interruptor de la luz |

**ENSAMBLAJE**

**Hojas**

Esta sierra de banda portátil está configurada para ser utilizada con hojas de 0,5 mm (0,020 pulg.) de grosor, 12,5 mm (1/2 pulg.) de ancho y 1140 mm (44-7/8 pulg.) de largo. Si desea utilizar hojas de 0,64 mm (0,025 pulg.), por favor contacte a un centro de servicio DEWALT autorizado.

⚠️ **PRECAUCIÓN:** El uso de cualquier otro tipo de hoja o accesorio podría ser peligroso. NO utilice ningún otro tipo de accesorio con su sierra de banda. Las hojas utilizadas en sierras de banda estacionarias son de un grosor diferente. No intente utilizarlas con su unidad portátil.

**Selección de la hoja**

En general, considere primero el tamaño y la forma de la pieza de trabajo y el tipo de material a ser cortado. Recuerde que para realizar cortes más eficientes, se debería utilizar la hoja con los dientes más gruesos posibles en una aplicación dada pues mientras más grueso el diente, más rápido el corte. En la selección del número apropiado de dientes por milímetro para las hojas de sierras de banda, fíjese que al menos dos dientes deben entrar en contacto con la superficie de la pieza de trabajo cuando se descansa la hoja contra la pieza de trabajo. Como regla general, los materiales blandos generalmente requieren hojas con dientes gruesos mientras que los materiales duros requieren hojas de dientes más finos. Cuando requiera un acabado más suave, seleccione una de las hojas de dientes más finos.

Seleccione la hoja para su sierra de banda de acuerdo al tipo de material, las dimensiones y el número de dientes. Vea el cuadro Descripción de la hoja.

⚠️ **PRECAUCIÓN:** La siguiente tabla es para ser utilizada sólo como una guía general. Determine el tipo de material y la dimensión de la pieza de trabajo y seleccione la hoja para sierras de banda más apropiada.

⚠️ **PRECAUCIÓN:** Jamás utilice la sierra de banda para cortar materiales de resina que pudieran derretirse. El material de resina derretido por el calor generado durante el corte podría hacer que la hoja de la sierra de banda se adhiera al material, posiblemente sobrecargándola y quemando su motor.

Tipo de hoja para sierras de banda	DESCRIPCIÓN DE LA HOJA				
	De dos metales				
Número de dientes	24	18	14	10	14/18 10/14
Grosor de la pieza de trabajo					
3,2 mm (1/8 pulg.) y menor	*	*			
3,2 - 6,4 mm (1/8 - 1/4 pulg.)			*		*
6,4 - 10,3 mm (1/4 - 13/32 pulg.)				*	*
10,3 mm (13/32 pulg.) y superior				*	*

**Velocidad de la hoja**

Su sierra de banda portátil D28770 viene con velocidad variable para una mayor versatilidad. Gire el botón de velocidad (I) para seleccionar la velocidad deseada (Fig. 1).

Cuando corte cobre, latón, bronce, aluminio, fierro fundido, fierro angular o acero dulce, use una velocidad mayor. Gire el botón de velocidad a una velocidad mayor.

Cuando corte tubería de plástico, aceros más duros, acero al cromo, acero al tungsteno, acero inoxidable y otros materiales complicados, use una velocidad baja. Gire el botón de velocidad a una velocidad menor.

**NOTA:** Cuando corte tubería de plástico, las velocidades mayores pueden derretirlo.

**Instalación y desinstalación de las hojas**

⚠️ **PRECAUCIÓN:** Apague y desenchufe la herramienta antes de realizar cualquier ajuste o de instalar/desinstalar accesorios.

⚠️ **PRECAUCIÓN:** La palanca de tensión de la hoja está bajo presión de resorte. Mantenga el control de la palanca cuando libere la tensión de la hoja.

**PARA DESINSTALAR LA HOJA (FIG. 1, 2)**

1. Gire la palanca de tensión de la hoja (H) en dirección a las manillas del reloj hasta que se detenga para relajar la tensión de la hoja.
2. De vuelta la sierra y póngala sobre una banca o mesa de trabajo con el cable a la izquierda.
3. Para desinstalarla, empiece por el protector de la hoja (M) y siga alrededor de las poleas (L). Cuando retire la hoja, la tensión puede ser liberada y la hoja puede saltar de su lugar. LAS HOJAS DE SIERRAS SON FILUDAS. TENGA CUIDADO CUANDO LAS MANEJE.
4. Revise los rodillos de guía (F1, F2) y retire cualquier pieza grande que pudiera encontrarse atrapada en ellos. Las piezas atrapadas pueden prevenir la rotación de los rodillos guía y causar áreas planas en los rodillos de guía.
5. Las llantas de goma (N) están montadas en las poleas (L). Las llantas de goma deberían ser revisadas para confirmar que no están sueltas ni dañadas cuando se cambie la hoja.

Limpie cualquier astilla que encuentre en las llantas de goma de las poleas. Esto aumentará la duración de las llantas y evitará que la hoja se resbale. Si se sueltan o dañan, la herramienta debería ser llevada a un centro de servicio autorizado DeWALT para ser reparada o cambiada lo antes posible. El uso continuo de la herramienta con llantas de goma sueltas o dañadas causará que la hoja de la sierra de banda se desestabilice al desplazarse.

#### PARA INSTALAR LA HOJA

- Coloque la hoja de modo que los dientes queden debajo y angulados hacia el guía del material, como lo muestra la Figura 1 y 3.
- Deslice la hoja en los rodillos de guía, como lo muestra la Figura 4.
- Sostenga la hoja en los rodillos de guía y colóquela alrededor de ambas poleas (L) y luego por el guía del material (E), como lo muestra la Figura 5.
- Asegúrese que la hoja esté completamente insertada en los rodillos de guía y posicionados en ángulo recto contra las llantas de goma.
- Voltee lentamente la sierra de modo que las poleas descansen sobre su banca o mesa de trabajo y gire la palanca de tensión de la hoja (H) en dirección contraria a las manillas del reloj hasta que se detenga. Asegúrese que los dientes miren en dirección opuesta a la sierra de banda (Fig. 1, 3).
- Encienda y apague la sierra un par de veces para asegurar que la hoja esté debidamente alojada.

#### Ajustes

⚠ **PRECAUCIÓN:** Apague y desenchufe la herramienta antes de realizar cualquier ajuste o de instalar/desinstalar accesorios.

#### AJUSTE DEL GUÍA DEL MATERIAL

Para poder apoyar piezas de trabajo grandes, el guía del material debería ser bajado siguiendo estos pasos:

- Aloje los dos tornillos M6 (Q) que aparecen en la Figura 1, con la llave Allen incluida.
- Ponga el guía del material (E) en la posición deseada (Fig. 5).
- Ajuste bien los tornillos M6.

#### AJUSTE DE POSICIÓN DE LOS RODILLOS DE GUÍA - para cortes más rectos en piezas más pequeñas

Para cortes más rectos en piezas más pequeñas, ajuste los rodillos de guía siguiendo estos pasos:

- Aloje el perno de 14 mm (G).
- Ponga el rodillo de guía frontal (F1) más cerca al material.
- Ajuste el perno de 14 mm.

### OPERACIÓN

#### Motor

Asegúrese de que su alimentación eléctrica concuerde con el voltaje marcado en la placa de identificación. "120 Volts AC 60Hz" significa que sólo puede utilizarse corriente alterna. Caídas de voltaje de más de 10% causarán una pérdida de potencia y sobrecalentamiento. Todas las herramientas DeWALT vienen probadas de fábrica. Si esta herramienta no funciona, revise la línea de alimentación eléctrica para verificar que no se hayan saltado fusibles y que el enchufe y receptáculo tengan el contacto debido.

Existen ciertas aplicaciones para las cuales esta herramienta fue diseñada.

Esta sierra de banda ha sido diseñada para diversos tipos de material, de un diámetro máximo de 120,7 mm (4-3/4 pulg.) ó de una dimensión máxima de 120,7 mm (4-3/4 pulg.) x 120,7 mm (4-3/4 pulg.) para piezas rectangulares de 90°.

⚠ **ADVERTENCIA:** Limpie meticulosamente todo aceite y toda grasa que tenga la pieza de trabajo antes de fijarla en un torno u otro dispositivo de sujeción. Si la pieza de trabajo no está bien sujeta, puede soltarse durante el corte y romperse, lo cual podría causar graves lesiones corporales.

⚠ **ADVERTENCIA:** Jamás conecte la máquina herramienta si la corriente alterna disponible no es del mismo voltaje al especificado en la placa de identificación de la herramienta. Jamás enchufe esta herramienta en una fuente de corriente directa.

⚠ **ADVERTENCIA:** Si el cable de alimentación está enchufado y el conmutador tipo gatillo está en ON (encendido), la máquina herramienta podría encenderse repentinamente y causar un accidente serio.

#### Conmutador tipo gatillo

Para encender la herramienta, presione el conmutador tipo gatillo (C). Para apagar la herramienta, suelte el conmutador.

#### Corte

⚠ **PRECAUCIÓN:** Refiérase a la Figura 9 para ver posiciones de corte recomendadas para diferentes materiales.

**NOTA:** Seleccione y utilice la hoja para sierras de banda que sea más apropiada para el material a cortar. Vea Descripción de la hoja.

Esta sierra de banda portátil debe ser colgada con el gancho para colgar (K). Cuelgue la herramienta de una abrazadera de cañería u otra estructura adecuada y estable. (Fig. 2)

- Monte el material a ser cortado firmemente en un torno u otro dispositivo de sujeción. Nunca intente utilizar esta herramienta apoyándola sobre una superficie de trabajo y llevando el material a ella. Siempre sujete firmemente la pieza de trabajo y lleve la herramienta a la pieza de trabajo, sujetando la herramienta firmemente y con ambas manos, como lo muestra la Figura 6.
- Si requiere luz adicional, puede activar la luz (B) con el interruptor de la luz (P), como lo muestra la Figura 1. Si fuera necesario cambiarla, regrese la herramienta a un centro de servicio autorizado y otro personal de servicio calificado, usando siempre repuestos originales.
- Mueva el guía del material (E) de modo que entre en contacto con la pieza de trabajo. ENCIENDA la sierra.
- Cuando la sierra alcance la velocidad de rotación deseada, incline lenta y suavemente el cuerpo principal de la herramienta para que la hoja de la sierra entre en contacto con la pieza de trabajo. No aplique una presión adicional superior al peso del cuerpo principal de la herramienta. Evite hacer contacto entre la hoja y la superficie superior de la pieza en forma brusca y repentina. Esto causará daños serios a la hoja de la sierra de banda. Para un máximo de duración de la hoja de la sierra de banda, asegúrese que no haya un impacto repentino al inicio del corte.
- Como aparece ilustrado en las Figuras 6 y 7, puede hacer cortes rectos si mantiene la hoja de la sierra en línea con la superficie lateral de la caja protectora del motor. Si la hoja se tuerce o inclina, el corte se saldrá de su línea y la hoja durará menos.
- PRECAUCIÓN:** Durante el corte, si la sierra de banda se bloquea o atora en el material de la pieza de trabajo, apague inmediatamente el conmutador para evitar dañar la hoja de la sierra y el motor.
- El peso de la herramienta proporciona la presión de corte hacia abajo más eficiente. Si el operador añade más presión, la hoja irá más lentamente y durará menos.
- Los extremos, que podrían ser lo suficientemente pesados como para causar lesiones cuando se caigan luego del corte, deberían ser debidamente apoyadas. Se recomienda utilizar calzado de seguridad. Las piezas extremas pueden estar calientes.
- Sostenga firmemente la sierra con ambas manos para que la sierra no se caiga contra el material sujeto o apoyado cuando se complete el corte. **NO REALICE CAMBIOS A LA VELOCIDAD A NO SER QUE LA HERRAMIENTA HAYA SIDO APAGADA.**

#### Consejos para un corte mejor

Las siguientes recomendaciones deberían ser utilizadas como guía. Los resultados pueden variar dependiendo del operador y del material en particular que se está cortando.

- Jamás fuerza la hoja de la sierra durante el corte.
- Nunca utilice refrigerantes líquidos con sierras de banda portátiles. El uso de refrigerantes líquidos puede causar una acumulación en las llantas y entorpecer el desempeño.
- Si ocurre una vibración excesiva durante el corte, apague la sierra y ajuste ligeramente la velocidad. Asegúrese que el material que se está cortando está firmemente sujeto. Si la vibración sigue, cambie la hoja de la sierra.

### MANTENIMIENTO

⚠ **PRECAUCIÓN:** Para evitar causar lesiones accidentales, apague y desenchufe la herramienta antes de realizar ajustes, mantenimiento o inspecciones a la herramienta.

#### Lubricación

⚠ **ADVERTENCIA:** ¡Tenga cuidado! ¡El aceite del engranaje puede estar caliente! El contacto con aceite de engranaje caliente puede causar lesiones corporales.

⚠ **PRECAUCIÓN:** Cuando agregue aceite de engranaje, tenga mucho cuidado de no permitir que le entren virutas al tanque de aceite. Podría dañar la herramienta.

El medidor de aceite viene con un anillo tórico que evita que se derrame aceite. Mantenga el anillo tórico limpio y libre de desechos. Asegúrese de volver a instalar el anillo tórico cuando cambie el medidor de aceite.

#### PARA REVISAR EL ACEITE DE ENGRANAJE

- Ponga la parte principal de la herramienta sobre una superficie plana. Asegúrese que el nivel de aceite de engranaje esté entre la marca roja y la parte inferior del medidor, como lo muestra la Figura 8.
- Si el nivel es menor a la porción más baja del medidor, afloje y retire el medidor de aceite (R). Reabastezca sólo con aceite para sierras de banda DeWALT. El incumplimiento con lo anterior puede anular la garantía. Puede encontrar aceite para sierras de banda DeWALT en su centro de servicio autorizado local.
- Si el nivel de aceite de engranaje supera la marca roja, vacíe el aceite que necesite vaciar para llevarlo al nivel correcto. La capacidad total de aceite es 30 ml (1,0 fl. oz.). Si lo llena demasiado, puede derramarse el aceite y dañar al motor.

### Limpieza

⚠ **PRECAUCIÓN:** Nunca utilice solventes u otros químicos fuertes cuando limpie las piezas no metálicas de la herramienta. Estos químicos pueden debilitar los materiales plásticos utilizados en estas partes. Use un paño humedecido con agua y jabón suave. Jamás permita que le entre líquido a la herramienta; nunca sumerja ninguna parte de la herramienta.

Periódicamente limpie de astillas y otro material de desecho la superficie de la máquina herramienta con un paño húmedo y jabón suave. Muchos limpiadores domésticos contienen químicos que podrían dañar seriamente el plástico. Tampoco utilice gasolina, trementina, laca o diluyente de pintura, líquidos para lavado en seco o productos similares. Para evitar el mal funcionamiento del motor, protéjalo del contacto con aceite o agua.

### Reparaciones

Las reparaciones, el mantenimiento y los ajustes del dispositivo (incluyendo la inspección y el cambio de la escobilla) deberán ser realizados por centros de servicio autorizados u otro personal de servicio calificado, utilizando siempre repuestos idénticos, para asegurar la SEGURIDAD y FIABILIDAD de la unidad.

### ACCESORIOS

Los accesorios recomendados para su herramienta están disponibles por un cargo adicional en su distribuidor local o en el centro de servicio autorizado. Si usted necesita ayuda para encontrar un accesorio para su herramienta, contacte a: DeWALT Industrial Tool Co., 701 East Joppa Road, Baltimore, MD 21286.

⚠ **PRECAUCIÓN:** El uso de cualquier accesorio que no sea recomendado para ser utilizado con esta herramienta podría ser peligroso.

### Póliza de Garantía

#### IDENTIFICACIÓN DEL PRODUCTO:

Sello o firma del Distribuidor.

Nombre del producto: \_\_\_\_\_ Mod./Cat.: \_\_\_\_\_

Marca: \_\_\_\_\_ Núm. de serie: \_\_\_\_\_

(Datos para ser llenados por el distribuidor)

Fecha de compra y/o entrega del producto: \_\_\_\_\_

Nombre y domicilio del distribuidor donde se adquirió el producto: \_\_\_\_\_

Este producto está garantizado por un año a partir de la fecha de entrega, contra cualquier defecto en su funcionamiento, así como en materiales y mano de obra empleados para su fabricación. Nuestra garantía incluye la reparación o reposición del producto y/o componentes sin cargo alguno para el cliente, incluyendo mano de obra, así como los gastos de transportación razonablemente erogados derivados del cumplimiento de este certificado.

Para hacer efectiva esta garantía deberá presentar su herramienta y esta póliza sellada por el establecimiento comercial donde se adquirió el producto, de no contar con ésta, bastará la factura de compra.

#### EXCEPCIONES.

Esta garantía no será válida en los siguientes casos:

- Cuando el producto se hubiese utilizado en condiciones distintas a las normales;
- Cuando el producto no hubiese sido operado de acuerdo con el instructivo de uso que se acompaña;
- Cuando el producto hubiese sido alterado o reparado por personas distintas a las enlistadas al final de este certificado.

Anexo encontrará una relación de sucursales de servicio de fábrica, centros de servicio autorizados y franquiciados en la República Mexicana, donde podrá hacer efectiva su garantía y adquirir partes, refacciones y accesorios originales.

#### Garantía limitada por tres años

DeWALT reparará, sin cargo, cualquier falla que surja de defectos en el material o la fabricación del producto, por hasta tres años a contar de la fecha de compra. Esta garantía no cubre fallas de las piezas causadas por su desgaste normal o abuso a la herramienta. Para mayores detalles sobre la cobertura de la garantía e información acerca de reparaciones realizadas bajo garantía, visítenos en [www.dewalt.com](http://www.dewalt.com) o llámenos al 1 800 433-9258 (1-800-4-DeWALT). Esta garantía no aplica a accesorios o a daños causados por reparaciones realizadas o intentadas por terceros. Esta garantía le otorga derechos legales específicos, además de los cuales puede tener otros dependiendo del estado o provincia en que se encuentre.

Además de la garantía, las herramientas DeWALT están cubiertas por:

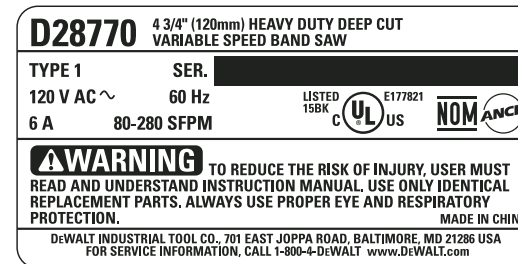
#### 1 AÑO DE SERVICIO GRATUITO

DeWALT mantendrá la herramienta y reemplazará las piezas gastadas por su uso normal, sin cobro, en cualquier momento durante un año a contar de la fecha de compra.

#### GARANTÍA DE REEMBOLSO DE SU DINERO POR 90 DÍAS

Si no está completamente satisfecho con el desempeño de su máquina herramienta, láser o clavadora DeWALT, cualquiera sea el motivo, podrá devolverlo hasta 90 días de la fecha de compra con su recibo y obtener el reembolso completo de su dinero – sin necesidad de responder a ninguna pregunta.

**SUSTITUCIÓN GRATUITA DE LAS ETIQUETAS DE ADVERTENCIA:** Si sus etiquetas de advertencia se vuelven ilegibles o se pierden, llame al 1-800-4-DeWALT para conseguir repuestos gratuitos.



#### PARA REPARACIÓN Y SERVICIO DE SUS HERRAMIENTAS ELÉCTRICAS, FAVOR DE DIRIGIRSE AL CENTRO DE SERVICIO MÁS CERCANO:

<b>CULIACAN, SIN</b> Av. Nicolás Bravo #1063 Sur - Col. Industrial Bravo	(667) 7 12 42 11
<b>GUADALAJARA, JAL</b> Av. La Paz #1779 - Col. Americana Sector Juarez	(33) 3825 6978
<b>MEXICO, D.F.</b> Eje Central Lázaro Cardenas No. 18 - Local D, Col. Obrera	(55) 5588 937
<b>MERIDA, YUC</b> Calle 63 #459-A - Col. Centro	(999) 928 5038
<b>MONTERREY, N.L.</b> Av. Francisco I. Madero No.831 - Col. Centro	(81) 8375 2313
<b>PUEBLA, PUE</b> 17 Norte #205 - Col. Centro	(222) 246 3714
<b>QUERETARO, QRO</b> Av. Madero 139 Pte. - Col. Centro	(442) 214 1660
<b>SAN LUIS POTOSÍ, SLP</b> Av. Universidad 1525 - Col. San Luis	(444) 814 2383
<b>TORREON, COAH</b> Blvd. Independencia, 96 Pte. - Col. Centro	(871) 716 5265
<b>VERACRUZ, VER</b> Prolongación Díaz Mirón #4280 - Col. Remes	(229) 921 7016
<b>VILLAHERMOSA, TAB</b> Constitución 516-A - Col. Centro	(993) 312 5111

PARA OTRAS LOCALIDADES LLAME AL: (55) 5326 7100

#### Información Técnica

<b>D28770</b>	
Tensión de alimentación:	120 V AC ( ~ )
Consumo de corriente:	6 A
Frecuencia de alimentación:	60 Hz
Potencia nominal:	580 W
Rotación sin carga:	80-280 sfpm

IMPORTADOR: DeWALT S.A. DE C.V.  
BOSQUES DE CIDROS ACCESO RADIATAS NO. 42  
COL. BOSQUES DE LAS LOMAS, 3A. SECCIÓN, CP 05120  
DELEGACIÓN CUAJIMALPA, MÉXICO, D.F.  
TEL. 5 326 7100  
R.F.C.: BDE810626-1W7

Para servicio y ventas consulte  
"HERRAMIENTAS ELÉCTRICAS"  
en la sección amarilla.

