

L2524 Rev. O 11/02

Index:

English:	1-6
Français:	7-12
Deutsch:	13-19
Italiano:	20-26
Español:	27-33
Nederlands:	34-40
Portuguese:	41-47

Repair Parts Sheets for this product are available from the Enerpac web site at www.enerpac.com, or from your nearest Authorized Enerpac Service Center or Enerpac Sales office.

1.0 IMPORTANT RECEIVING INSTRUCTIONS

Visually inspect all components for shipping damage. Shipping damage is **not** covered by warranty. If shipping damage is found, notify carrier at once. The carrier is responsible for all repair and replacement costs resulting from damage in shipment.

SAFETY FIRST

2.0 SAFETY ISSUES



Read all instructions, warnings and cautions carefully. Follow all safety precautions to avoid personal injury or property damage during system operation. Enerpac cannot be responsible for damage or injury resulting from unsafe product use, lack of maintenance or incorrect product and/or system operation. Contact Enerpac when in doubt as to the safety precautions and operations. If you have never been trained on high-pressure hydraulic safety, consult your distribution or service center for a free Enerpac Hydraulic safety course.

Failure to comply with the following cautions and warnings could cause equipment damage and personal injury.

A **CAUTION** is used to indicate correct operating or maintenance procedures and practices to prevent damage to, or destruction of equipment or other property.

A **WARNING** indicates a potential danger that requires correct procedures or practices to avoid personal injury.

A **DANGER** is only used when your action or lack of action may cause serious injury or even death.



WARNING: Wear proper personal protective gear when operating hydraulic equipment.



WARNING: Stay clear of loads supported by hydraulics. A cylinder, when used as a load lifting device, should never be used as a load holding device.

After the load has been raised or lowered, it must always be blocked mechanically.



WARNING: USE ONLY RIGID PIECES TO HOLD LOADS. Carefully select steel or wood blocks that are capable of supporting the load. Never use a hydraulic cylinder as a shim or spacer in any lifting or pressing application.



DANGER: To avoid personal injury keep hands and feet away from cylinder and workpiece during operation.



WARNING: Do not exceed equipment ratings. Never attempt to lift a load weighing more than the capacity of the cylinder. Overloading causes equipment failure and possible personal injury. The cylinders are designed for a max. pressure of 700 bar [10,000 psi]. Do not connect a jack or cylinder to a pump with a higher pressure rating.



Never set the relief valve to a higher pressure than the maximum rated pressure of the pump. Higher settings may result in equipment damage and/or personal injury.



WARNING: The system operating pressure must not exceed the pressure rating of the lowest rated component in the system. Install pressure gauges in the system to monitor operating pressure. It is your window to what is happening in the system.



CAUTION: Avoid damaging hydraulic hose. Avoid sharp bends and kinks when routing hydraulic hoses. Using a bent or kinked hose will cause severe back-pressure. Sharp bends and kinks will internally damage the hose leading to premature hose failure.



Do not drop heavy objects on hose. A sharp impact may cause internal damage to hose wire strands. Applying pressure to a damaged hose may cause it to rupture.



IMPORTANT: Do not lift hydraulic equipment by the hoses or swivel couplers. Use the carrying handle or other means of safe transport.



CAUTION: Keep hydraulic equipment away from flames and heat. Excessive heat will soften packings and seals, resulting in fluid leaks. Heat also weakens hose materials and packings. For optimum performance do not expose equipment to temperatures of 65 °C [150 °F] or higher. Protect hoses and cylinders from weld spatter.

DANGER: Do not handle pressurized hoses. Escaping oil under pressure can penetrate the skin, causing serious injury. If oil is injected under the skin, see a doctor immediately.

WARNING: Only use hydraulic cylinders in a coupled system. Never use a cylinder with unconnected couplers. If the cylinder becomes extremely overloaded, components can fail catastrophically causing severe personal injury.

WARNING: BE SURE SETUP IS STABLE BEFORE LIFTING LOAD. Cylinders should be placed on a flat surface that can support the load. Where applicable, use a cylinder base for added stability. Do not weld or otherwise modify the cylinder to attach a base or other support.

Avoid situations where loads are not directly centered on the cylinder plunger. Off-center loads produce considerable strain on cylinders and plungers. In addition, the load may slip or fall, causing potentially dangerous results.

Distribute the load evenly across the entire saddle surface. Always use a saddle to protect the plunger.

IMPORTANT: Hydraulic equipment must only be serviced by a qualified hydraulic technician. For repair service, contact the Authorized ENERPAC Service Center in your area. To protect your warranty, use only ENERPAC oil.

WARNING: Immediately replace worn or damaged parts by genuine ENERPAC parts. Standard grade parts will break causing personal injury and property damage. ENERPAC parts are designed to fit properly and withstand high loads.

3.0 SPECIFICATIONS (see Specification Table)

4.0 BENDER ASSEMBLY (see Figure 1)

1. Thread hydraulic cylinder into cylinder support block on bending frame.
2. Attach hose(s) to pump valve. Connect hose (1) to cylinder port (1); hose (2) to cylinder port (2). NOTE: hose (2) is used with STB-202 series benders only.
3. Select bending shoe for pipe to be bent. Each shoe is marked for size and has an arrow, indicating the center point of bend to be made.
4. Insert and lock selected bending shoe on cylinder plunger with U-shaped lock pin.

Specification Table

Nominal pipe size (outside ø) (in)	Wall Thickness (in)	Schedule Pipe*	Pipe Bend Radius (in)	STB-101	STB-101 1-2	STB-101
				1/2-2 One Shot	One Shot 2 1/2-4 Sweep	1 1/4-4 One Shot
1/2 (.840)	.109	40	2 7/8	Yes	-	-
	.147	80		Yes	-	-
	.187	160		WS	-	-
	.294	160		WS	-	-
3/4 (1.050)	.113	40	4	Yes	-	-
	.154	80		Yes	-	-
	.218	160		WS	-	-
	.308	DEH		WS	-	-
1 (1.315)	.133	40	5 1/8	Yes	Yes	-
	.179	80		Yes	Yes	-
	.250	160		WS	WS	-
	.358	DEH		-	WS	-
1 1/4 (1.660)	.140	40	6 7/16	Yes	Yes	Yes
	.191	80		Yes	Yes	Yes
	.250	160		WS	WS	Yes
	.342	DEH		-	WS	WS
1 1/2 (1.900)	.145	40	7 5/16	Yes	Yes	Yes
	.200	80		Yes	Yes	Yes
	.281	160		WS	WS	Yes
	.400	DEH		-	WS	WS
2 (2.375)	.154	40	8 5/16	Yes	Yes	Yes
	.218	80		Yes	Yes	Yes
	.343	160		-	WS	Yes
2 1/2 (2.875)	.203	40	9 1/2	-	Yes	Yes
	.276	80		-	WS	Yes
	.375	160		-	WS	Yes
3 (3.500)	.216	40	11 1/4	-	Yes	Yes
	.300	80		-	WS	Yes
3 1/2 (4.000)	.226	40	15 1/2	-	Yes	Yes
	.318	80		-	WS	Yes
4 (4.500)	.237	40	17 3/4	-	Yes	Yes
	.337	80		-	-	Yes

*Schedule pipe: 40=standard; 80=extra heavy; 160=double extra heavy (mild steel pipe only)
 DEH=double extra heavy (slightly thicker than 160);
 WS=can be bent by moving pivot shoes to the holes for the next large pipe size.

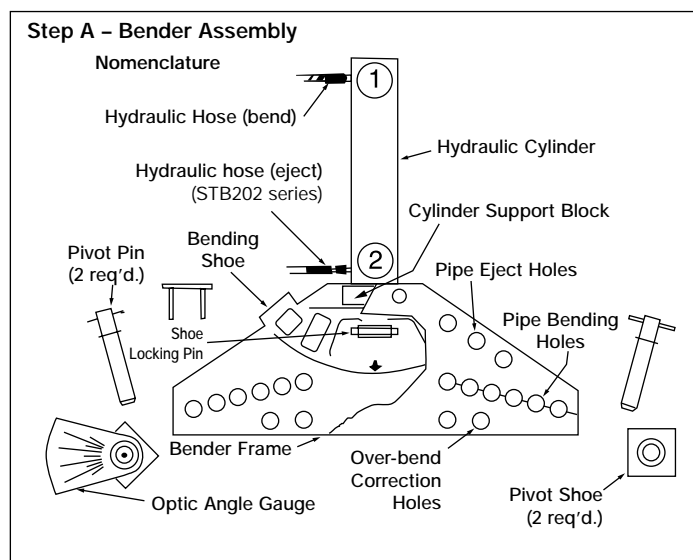


Figure 1, Bender Assembly

5.0 PIPE BENDING (see Figure 2 and 3)



IMPORTANT: Before starting a bend, be sure pivot pins are through the bottom frame plate and locked in position to properly anchor.

When actuating pump, either hand or electric, operator should position himself on the cylinder side. It is not recommended that any bender be operated from the front position.

As bend is generated, watch optic angle gauge until desired angle of bend is reached. Because of pipe springback, it will be necessary to go a bit beyond the desired angle.

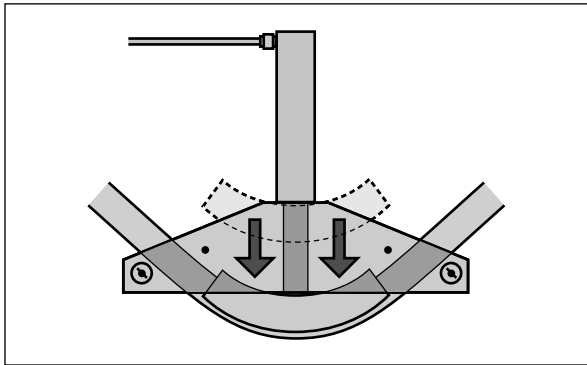


Figure 2

1. Place pipe in bender frame.
2. Attach Optic Angle Gauge to the top of Pivot Shoe, as shown in Figure 3. A locator pin on the gauge mates with a hole in the pivot shoe.
3. Mount other Pivot Shoe. Both pivot shoes are marked for various pipe sizes. The markings on pivot shoes must correspond to the pipe size being bent and face the pipe.
4. Angle Gauge should now read at zero when read along line scribed on bender frame.
5. Lock both Pivot Shoes in position with push-button Pivot Pins. Pivot pin is operated by pushing down on button with thumb while grasping cross handle. Be sure pivot pins are inserted through corresponding marked pipe size holes.
6. Turn Pump Valve as shown for manual valve and proceed to bend. If electric push-button model, push "advance" button (STB-202 series benders only).

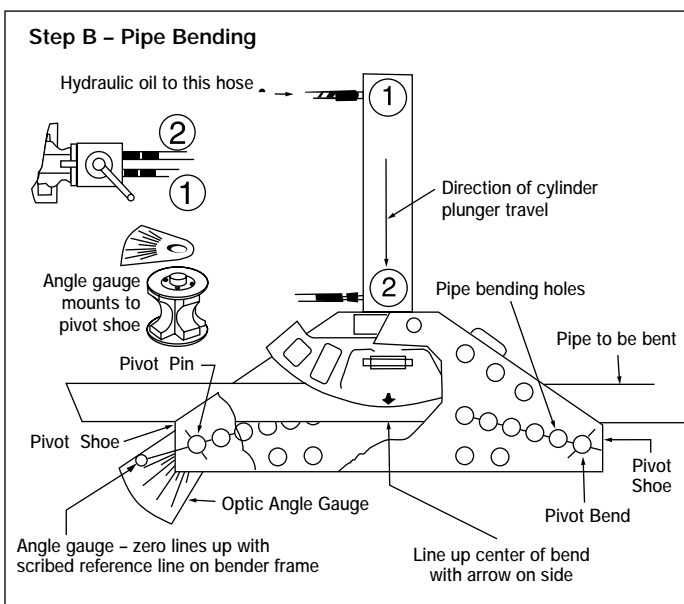


Figure 3, Pipe Bending

6.0 PIPE REMOVAL

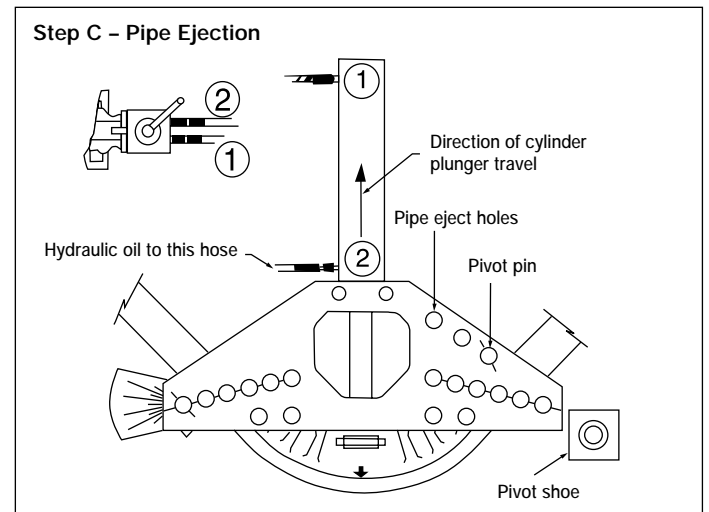


Figure 4, Pipe Ejection

6.1 STB-202 Series Pipe Ejection

1. Retract cylinder plunger slightly by turning pump valve in opposite direction of outward bending stroke. This will take pressure off pivot shoes and pins. If electric push-button model, jog retract button.
2. Remove either one or both of the Pivot Shoes and reposition **one** Pivot Pin in proper pipe-size "eject hole" where the **pin will restrain the pipe**, not the shoe, as they retract. Four inch one-shot frames have two eject holes. Use both holes.
3. Now fully retract the cylinder plunger. Bending shoe and pipe will retract together until pipe meets pivot pin. On contact, pipe will strip from shoe.
4. Remove other Pivot Pin and Pivot Shoe to remove pipe from bender.

6.2 STB-101/221 Series Pipe Ejection

1. Retract cylinder completely by turning pump valve in opposite direction of outward bending stroke before removing pipe from bending shoe.
2. Remove either one or both pivot shoes.
3. Hammer pipe out of bending shoe.

7.0 INSTRUCTIONS FOR 90° STUB-UP ONE-SHOT

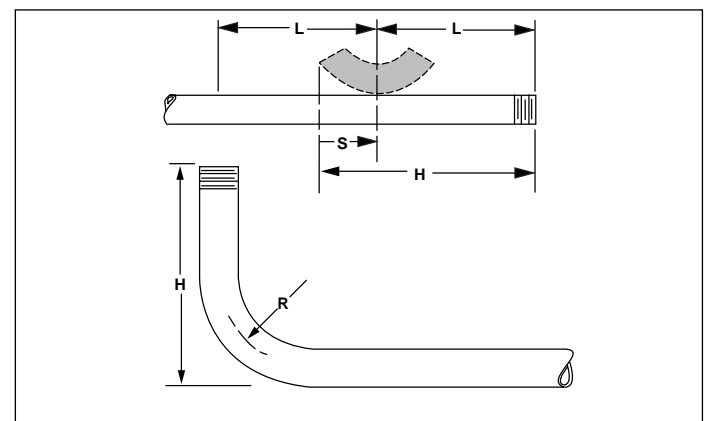


Figure 5

PIPE BENDERS

7.1 Stub-up Bend Instructions

1. Mark desired turn-up dimension (**H**) on straight length of pipe (see figure 5).
2. Locate the size of pipe you are bending in Chart 1 and obtain set-back dimension (**S**).
3. Measure back dimension (deduct (**S**) and mark pipe).



Mark (**S**) cannot be closer to ends of pipe than minimum distance (**L**), shown in Chart 1, or ends will not be supported on the pivot shoes.

4. Place pipe in bender so mark aligns with arrow on bending shoe. Proceed to bend, reading desired angle on optic angle gauge.

Nominal Pipe Size (in)	Set - Back (S) (in)	Centerline Radius (R) (in)	Minimum length (L) of pipe required on each end of bend mark (in)
1/2	1 1/8	3 1/4	7 1/2
3/4	1 1/2	4 1/2	8 3/4
1	1 7/8	5 3/4	10 1/4
1 1/4	2 3/8	7 1/4	12
1 1/2	2 3/8	8 1/4	13 1/4
2	3 1/4	9 1/2	15
2 1/2	3 1/16	10 1/2	18
3	4 1/2	13	20
3 1/2	5 3/16	15	26 1/2
4	6 1/2	20	27

7.2 Kick Bender Instructions

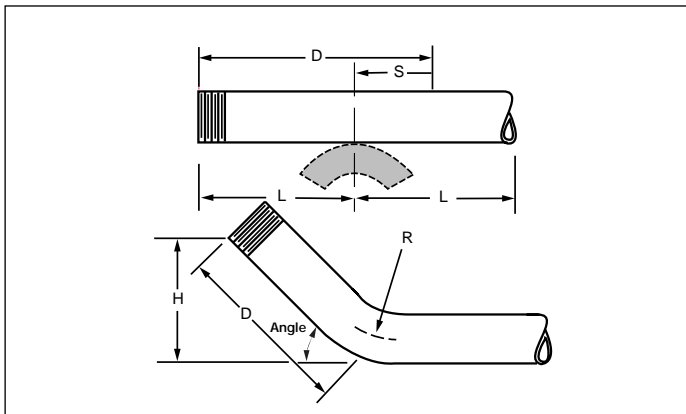


Figure 6

1. From Chart 2, find diagonal distance (**D**) which corresponds with the desired turn-up dimension (**H**). Mark distance (**D**) from the end of a straight length of pipe.
2. Locate the size of pipe in Chart 3 to obtain Set-back measurement (**S**) under the angle of bend desired.
3. Mark off measurement (**S**) on pipe as illustrated in Figure 6.



Mark (**S**) cannot be closer to ends of pipe than minimum distance (**L**) shown in Chart 3 or ends will not be supported on the pivot shoes.

4. Place pipe in bender so mark aligns with arrow on bending shoe. Proceed to bend, reading desired angle on optic angle gauge.

Rise (H) (in.)	Bend Angle			
	15°	30°	45°	60°
2	7 3/4	4	2 13/16	2 5/16
4	17 7/16	8	5 1/16	4 5/8
6	23 3/16	12	8 1/2	6 15/16
8	30 15/16	16	11 5/16	9 1/4
10	38 5/8	20	14 1/8	11 9/16
12	46 3/8	24	17	17 7/8
14	54 1/16	28	19 13/16	16 3/16
16	61 13/16	32	22 5/8	18 1/2
18	69 9/16	36	25 7/16	20 13/16
20	77 1/4	40	28 5/16	23 1/8
22	85	44	31 1/8	25 3/8
24	92 3/4	48	33 5/16	27 13/16

Nominal Pipe Size (in)	(S) Set-back measurement (in.)				(R) *	(L) **
	Sweep Benders		One-shot Benders			
	15°	30°	45°	60°		
1/2	—	1/8	1/4	7/16	3 1/4	7 1/2
3/4	1/16	3/16	5/16	9/16	4 1/2	8 3/4
1	1/16	1/4	7/16	3/4	5 3/4	10 1/4
1 1/4	1/8	1/4	1/2	7/8	7 1/4	11 1/2
1 1/2	1/8	5/16	5/8	1	8 1/4	13 1/4
2	3/16	3/8	11/16	1 3/16	9 1/2	15
2 1/2	3/16	7/16	13/16	1 3/8	10 1/2	16 3/4
3	1/4	9/16	1	1 11/16	13	18 1/2
3 1/2	1/4	5/8	1 1/8	1 11/16	17 1/2	22 1/4
4	5/16	3/4	1 3/8	2 1/2	20	24 1/4

* (R) Centerline radius (Inches)

** (L) Minimum length of pipe required on each end of bend mark (inches)

7.3 Offset Bend Instructions

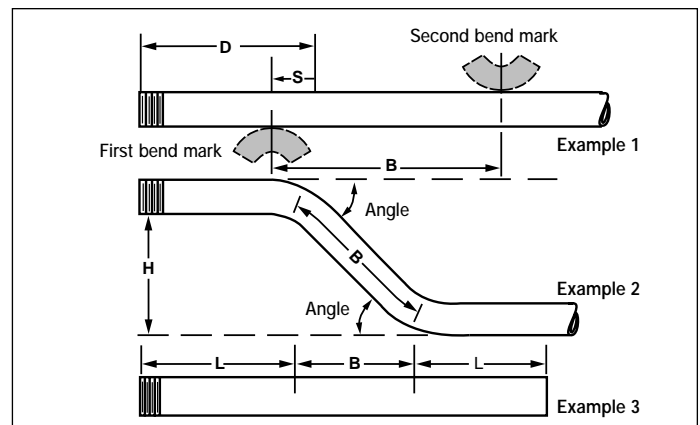


Figure 7

1. Determine offset bend angle desired. Locate and mark first bend at distance (**D**) minus (**S**) from end of pipe, following Section 7.2, "Kick Bend Instructions", Nos. 2 and 3.
2. Find dimension (**B**) from Offset Chart 4, using the same angle of bend used to locate the first mark. NOTE: for any required offset (**H**), the maximum pipe size that can be bent to the angles given are listed.
3. Mark off second bend measurement (**B**) on pipe as illustrated (Figure 7, Example 1).



Marks (**B**) cannot be closer to ends of pipe than distance (**L**) or ends will not be supported on the pivot shoes (see Figure 6, Example 3 and "L" Requirement Chart 5).

- Place pipe in bender, aligning first bend mark with arrow on bending shoe. Proceed to bend, reading desired angle on optic angle gauge.
- Rotate pipe 180° and align second bend mark with arrow on bending shoe. Proceed to make second bend, reading angle on optic angle gauge.

8.0 90° SWEEP BEND (2 1/2" thru 4" only)

	Off-set Required (H) (in)	(B) (in)	Maximum Pipe Size (in)
15° Bend	2	7 11/16	3/4
	4	15 7/8	1 1/2
	6	23 3/16	3 1/2
	8	30 7/8	4
	10	35 5/8	4
30° Bend	2	-	-
	4	7 7/8	3/4
	6	11 7/8	1
	8	15 7/8	1 1/2
	10	19 7/8	2
	12	23 7/8	2 1/2
	14	27 7/8	3 1/2
	16	31 7/8	4
18	35 7/8	4	
45° Bend	6	8 5/16	1/2
	8	11 1/8	1
	10	13 7/8	1 1/4
	12	16 11/16	1 1/2
	14	19 1/2	2
	16	22 3/8	2 1/2
	18	25 3/16	3
	20	28	3 1/2
60° Bend	6	-	-
	8	8 3/4	1/2
	10	10 13/16	1
	12	12 7/8	1 1/4
	14	15 1/8	1 1/2
	16	17 3/8	2
	18	18 1/2	2 1/2
	20	21 1/2	3
22	23 5/8	3 1/2	

Pipe Size	(L) *
1/2"	7 1/2
3/4"	8 3/4
1"	10 1/4
1 1/4"	11 1/2
1 1/2"	13 1/4
2"	15
2 1/2"	16 3/4
3"	18 1/2
3 1/2"	22 1/4
4"	24 1/4

(L) = Min. length of pipe required on each end of dimension (B)

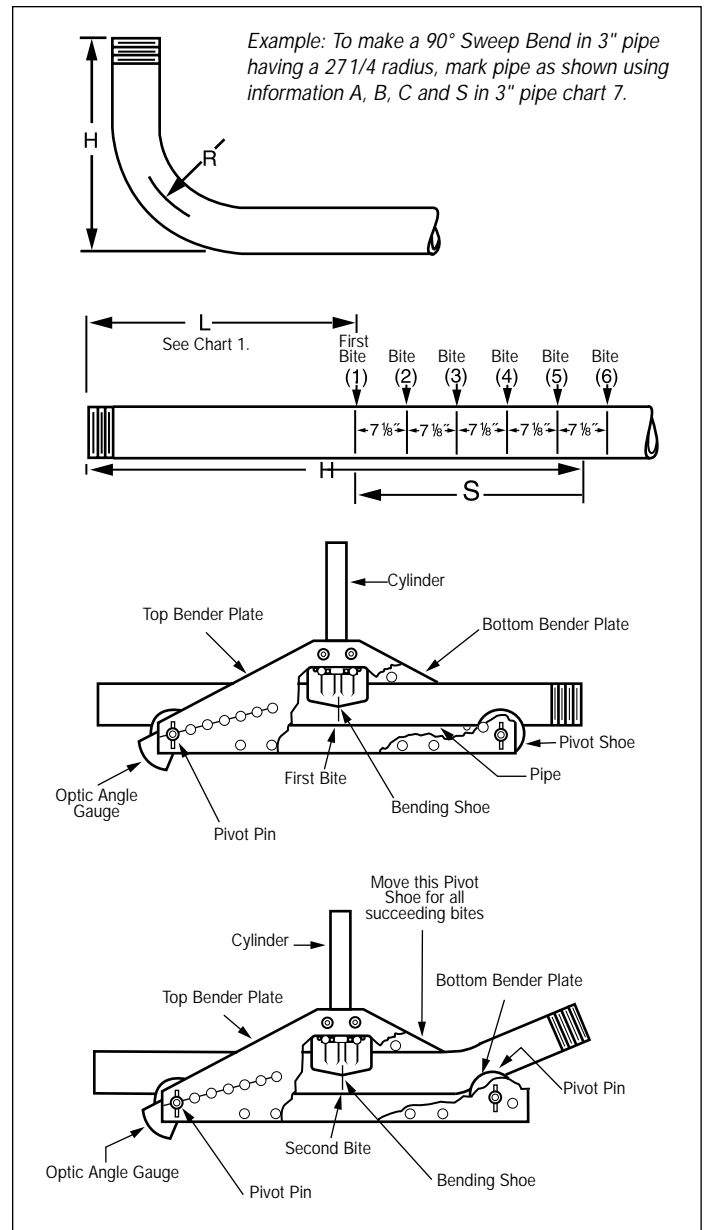


Figure 8, 90° Sweep Bend

8.1 Operating Sweep Shoes in One-shot Bend

- Mark desired stub-up (H) dimension on straight length of pipe (see Figure 8).
 - Locate the size of pipe you are bending in Chart 6. Select the desired sweep radius to find set-back (S) dimension.
 - Measure back dimension (deduct (S) and mark pipe).
 - Mark off given number of bites (column A) at spacing intervals given in column B.
 - Place pivot shoes in pipe hole size shown on frame. Make first bend to degree of angle shown in Column C.
- NOTE: It may be advisable to overbend the first bite slightly to compensate for accumulated springback.**
- Make all succeeding bends by moving the pivot shoe (without the optic angle gauge) to a hole that keeps pipe parallel to edge of bending frame while using the same angle of bend.

For 15° and 30° Kicks and Offsets using a sweep bender, see Charts 3, 4, and 5.

Chart 6					
Pipe Size (in)	Centerline Radius (R) (in)	(S) Set-back (in)	(A) No. of Bites (90°)	(B) Spacing between Bites (in)	(C) Degree per Bite
2 1/2"	10 1/2*	9 3/16	3	5 1/2	30°
	14 1/2	13 3/32	4	5 3/4	22°
	18 1/2	17 1/32	5	5 3/4	18°
	22 1/2	21	6	5 7/8	15°
	26 1/2	25 11/32	8	5 1/4	11°
3"	13 *	11 3/8	3	6 3/4	30°
	17 3/4	16 1/64	4	7	22°
	22 1/2	20 3/4	5	7	18°
	27 1/4	25 7/16	6	7 1/8	15°
	32	30 5/32	7	7 1/8	13°
3 1/2"	17 1/2*	14 15/16	3	9 1/4	30°
	22 7/8	20 3/8	4	9	22°
	28 1/4	25 13/16	5	8 7/8	18°
	33 5/8	31 1/4	6	8 3/4	15°
	39	36 5/8	7	8 1/4	13°
4"	20 *	17 1/64	3	10 1/2	30°
	26	23 1/64	4	10 1/4	22°
	32	29 1/4	5	10	18°
	38	35 9/32	6	10	15°
	44	41 5/16	7	9 7/8	13°

* These radii correspond to 90° one-shot bends.

9.1 Sweep / Segmental Bender Instructions

1. For concentric bending, determine the first radius.
2. Locate the pipe size you are bending in Chart 7. Make smallest radius bend first using 90° sweep bend instructions, see Section 8.0.
3. Make all succeeding concentric bends in the same manner; noting each succeeding radius and its corresponding A, B, and C specifications.

9.2 Other Radii Bends

For developing your own specifications for radii other than those shown in charts, use the following formula:

1. Determine the number of bites you wish to make—approximated from Chart 6.
2. Divide the total number of degrees in your required angle of bend by the number of bits. This will give you the number of degrees per bite you will need to make. (Largest degree of bend with ENERPAC sweep shoes in one bite is 30°.)
3. Multiply bend radius by .018 and number of degrees per bite from step 2 ($R \times .018 \times \text{degrees per bite}$). This will give you the spacing required between each bite.
4. Proceed to bend while following previous instructions.

9.0 INSTRUCTIONS FOR CONCENTRIC BEND

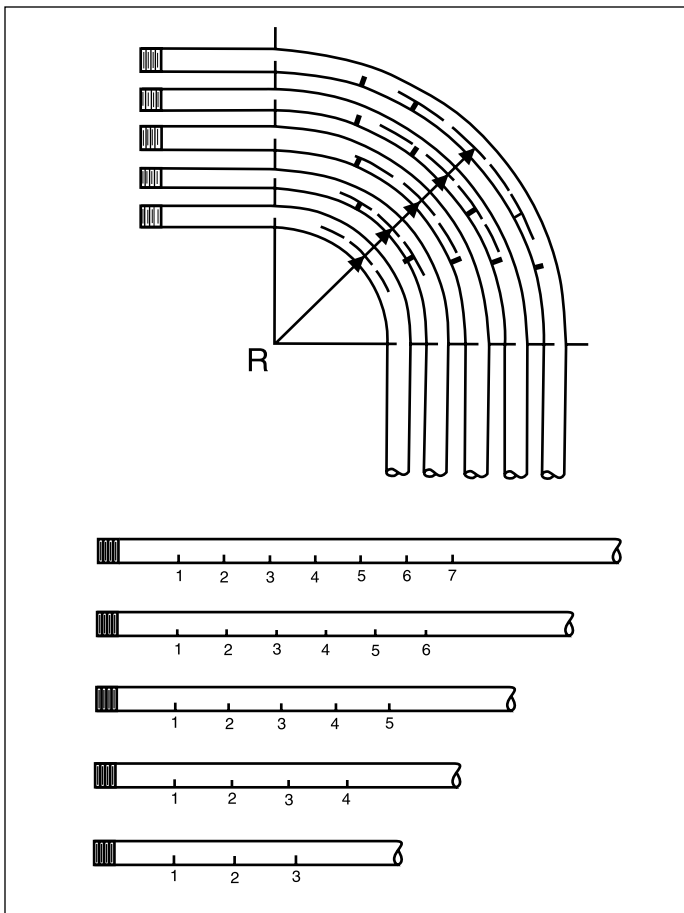


Figure 9

L2524 Rev. O 11/02

Les vues éclatées de ce produit sont disponibles sur le site Enerpac www.enerpac.fr. Vous pouvez également les obtenir auprès de votre réparateur agréé Enerpac ou auprès d'Enerpac même.

1.0 INSTRUCTIONS IMPORTANTES RELATIVES À LA RÉCEPTION

Inspecter tous les composants pour vous assurer qu'ils n'ont subi aucun dommage en cours d'expédition. Les dommages subis en cours de transports ne sont pas couverts par la garantie. S'ils sont abîmés, aviser immédiatement le transporteur, qui est responsable des frais de réparation et de remplacement résultant de dommages en cours de transport.

LA SÉCURITÉ AVANT TOUT !

2.0 SÉCURITÉ



Lire attentivement toutes les instructions et mises en garde et tous les avertissements. Suivre toutes les précautions pour éviter d'encourir des blessures personnelles ou de provoquer des dégâts matériels durant le fonctionnement du système. Enerpac ne peut pas être tenue responsable de dommages ou blessures résultant de l'utilisation risquée du produit, d'un mauvais entretien ou d'une application incorrecte du produit et du système. En cas de doute sur les précautions ou les applications, contacter Enerpac.

Respecter les mises en garde et avertissements suivants sous peine de provoquer des dégâts matériels et des blessures corporelles.

Une mise en garde **ATTENTION** sert à indiquer des procédures d'utilisation et de maintenance correctes qui visent à empêcher l'endommagement voire la destruction du matériel ou d'autres dégâts.

Un **AVERTISSEMENT** indique un danger potentiel qui exige la prise de mesures particulières visant à écarter tout risque de blessure.

La mention **DANGER** n'est utilisée que lorsqu'une action ou un acte de négligence risque de causer des blessures graves, voire mortelles.



AVERTISSEMENT : Porter un équipement de protection personnelle adéquat pour utiliser un appareil hydraulique.



AVERTISSEMENT : Rester à l'écart de charges soutenues par un mécanisme hydraulique. Un vérin, lorsqu'il est utilisé comme monte-charge, ne doit jamais servir de support de charge. Après avoir monté ou abaissé la charge, elle doit être bloquée par un moyen mécanique.



AVERTISSEMENT : UTILISER SEULEMENT DES PIÈCES RIGIDES POUR SOUTENIR LES CHARGES. Sélectionner avec précaution des blocs d'acier ou de bois capables de supporter la charge. Ne jamais utiliser un vérin hydraulique comme cale ou intercalaire d'appui pour les applications de levage ou de pressage.



DANGER : Pour écarter tout risque de blessures corporelles, maintenir les mains et les pieds à l'écart du vérin et de la pièce à usiner durant l'utilisation.



AVERTISSEMENT : Ne pas dépasser les valeurs nominales du matériel. Ne jamais essayer de soulever une charge d'un poids supérieur à la capacité du vérin. Une surcharge entraînera la panne du matériel et risque de provoquer des blessures corporelles. Les vérins sont conçus pour une pression maximale de 700 bar. Ne pas connecter de cric ou de vérin à une pompe affichant une pression nominale supérieure.



Ne jamais régler la soupape de sûreté à une pression supérieure à la pression nominale maximale de la pompe sous peine de provoquer des dégâts matériels et/ou des blessures corporelles.



AVERTISSEMENT : La pression de fonctionnement du système ne doit pas dépasser la pression nominale du composant du système affichant la plus petite valeur. Installer des manomètres dans le système pour surveiller la pression de fonctionnement. Ils permettent de vérifier ce qui se passe dans le système.



ATTENTION : Éviter d'endommager les tuyaux hydrauliques. Éviter de les plier et de les tordre en les mettant en place. Un tuyau plié ou tordu entraînera un fort retour de pression. Les plis et coudes prononcés endommageront par ailleurs l'intérieur du tuyau, provoquant son usure précoce.



Ne pas faire tomber d'objets lourds sur le tuyau. Un fort impact risque de causer des dégâts intérieurs (torons métalliques). L'application d'une pression sur un tuyau endommagé risque d'entraîner sa rupture.



IMPORTANT : Ne pas soulever le matériel hydraulique en saisissant ses tuyaux ou ses raccords articulés. Utiliser la poignée de transport ou procéder d'une autre manière sûre.



ATTENTION : Garder le matériel hydraulique à l'écart de flammes et d'une source de chaleur. Une forte température amollira les garnitures et les joints et provoquera par conséquent des fuites. La chaleur affaiblit également les matériaux et les garnitures du tuyau. Pour une performance maximale, ne pas exposer le matériel à une température supérieure ou égale à 65 °C [150 °F]. Protéger tuyaux et vérins de projections de soudure.



DANGER : Ne pas manipuler les tuyaux sous pression. L'huile sous pression qui risque de s'en échapper peut pénétrer dans la peau et provoquer des blessures graves. En cas d'injection d'huile sous la peau, contacter immédiatement un médecin.



AVERTISSEMENT : Utiliser des vérins hydrauliques uniquement dans un système couplé. Ne jamais utiliser un vérin en présence de raccords déconnectés. La surcharge du vérin peut avoir des effets désastreux sur ses composants, qui peuvent causer des blessures graves.



AVERTISSEMENT: S'assurer de la stabilité de l'ensemble avant de lever une charge. Le vérin doit être placé sur une surface plane capable de supporter la charge. Lorsqu'applicable, utiliser une base de vérin pour accroître la stabilité. Ne pas souder ou modifier le vérin de quelque façon que ce soit pour y fixer une base ou un autre dispositif de support.



Éviter les situations où les charges ne sont pas directement centrées sur le piston du vérin. Les charges décentrées imposent un effort considérable au vérins et pistons. En outre, la charge risque de glisser ou de tomber, ce qui crée un potentiel de danger.



Répartir la charge uniformément sur toute la surface d'appui. Toujours utiliser un coussinet d'appui si des accessoires non filetés sont utilisés.



IMPORTANT : Le matériel hydraulique doit uniquement être réparé par un technicien hydraulique qualifié. Pour toute réparation, contacter le centre de réparation ENERPAC agréé le plus proche. Pour assurer la validité de la garantie, n'utiliser que de l'huile ENERPAC.



AVERTISSEMENT : Remplacer immédiatement les pièces usées ou endommagées par des pièces ENERPAC authentiques. Les pièces de qualité standard se casseront et provoqueront des blessures et des dégâts matériels. Les pièces ENERPAC sont conçues pour s'ajuster parfaitement et résister à de fortes charges.

3.0 CARACTÉRISTIQUES

(VOIR LE TABLEAU DES CARACTÉRISTIQUES)

4.0 MONTAGE DE LA CINTREUSE (VOIR FIGURE 1)

1. Visser le vérin hydraulique dans son bloc de support sur le bâti de cintrage.
2. Fixer le ou les tuyaux à la soupape de pompe. Raccorder le tuyau (1) à l'orifice de vérin (1); le tuyau (2) à l'orifice de vérin (2). Remarque: le tuyau (2) n'est utilisé qu'avec les cintreuse de la série STB-202.
3. Sélectionner le sabot de cintrage correspondant au tuyau à cintrer. La taille de chaque sabot est marquée sur celui-ci et une flèche indique le point centrale du cintrage à effectuer.
4. Introduire le sabot de cintrage sélectionné et le verrouiller sur le piston du vérin avec une goupille en U.

Tableau des caractéristiques

Taille nominale du tuyau (ø ext.) po (cm)	Épaisseur paroi po (cm)	Tuyau programmé*	Rayon de cintrage des tuyaux po (cm)	STB-101	STB-101 1-2	STB-101
				1/2-2 Mono-coup	Mono-coup 2 1/2-4 Courbe douce	1 1/4-4 Mono-coupShot
1/2 (,840)	.109 (,277)	40	2 7/8 (7,303)	Oui	-	-
	.147 (,373)	80		Oui	-	-
	.187 (,475)	160		WS	-	-
	.294 (,747)	160		WS	-	-
3/4 (1,050)	.113 (,287)	40	4 (10,16)	Oui	-	-
	.154 (,391)	80		Oui	-	-
	.218 (,554)	160		WS	-	-
	.308 (,782)	DEH		WS	-	-
1 (1,315)	.133 (,338)	40	5 1/8	Oui	Oui	-
	.179 (,455)	80		Oui	Oui	-
	.250 (,635)	160		WS	WS	-
	.358 (,909)	DEH		-	WS	-
1 1/4 (1,660)	.140 (,356)	40	6 7/16	Oui	Oui	Oui
	.191 (,485)	80		Oui	Oui	Oui
	.250 (,635)	160		WS	WS	Oui
	.342 (,869)	DEH		-	WS	WS
1 1/2 (1,900)	.145 (,368)	40	7 5/16	Oui	Oui	Oui
	.200 (,508)	80		Oui	Oui	Oui
	.281 (,714)	160		WS	WS	Oui
	.400 (1,016)	DEH		-	WS	WS
2 (2,375)	.154 (,391)	40	8 5/16	Oui	Oui	Oui
	.218 (,554)	80		Oui	Oui	Oui
	.343 (,871)	160		-	WS	Oui
2 1/2 (2,875)	.203 (,516)	40	9 1/2	-	Oui	Oui
	.276 (,701)	80		-	WS	Oui
	.375 (,953)	160		-	WS	Oui
3 (3,500)	.216 (,549)	40	11 1/4	-	Oui	Oui
	.300 (,762)	80		-	WS	Oui
3 1/2 (4,000)	.226 (,574)	40	15 1/2	-	Oui	Oui
	.318 (,808)	80		-	WS	Oui
4 (4,500)	.237 (,602)	40	17 3/4	-	Oui	Oui
	.337 (,856)	80		-	-	Oui

*Tuyau programmé: 40=standard; 80=paroi très épaisse; 160=paroi très épaisse double (tuyaux en acier doux uniquement)

DEH= paroi très épaisse double (légèrement plus épaisse que 160);

WS=peut être cintré en déplaçant les sabots de pivot sur les trous correspondant à la taille de tuyau supérieure.

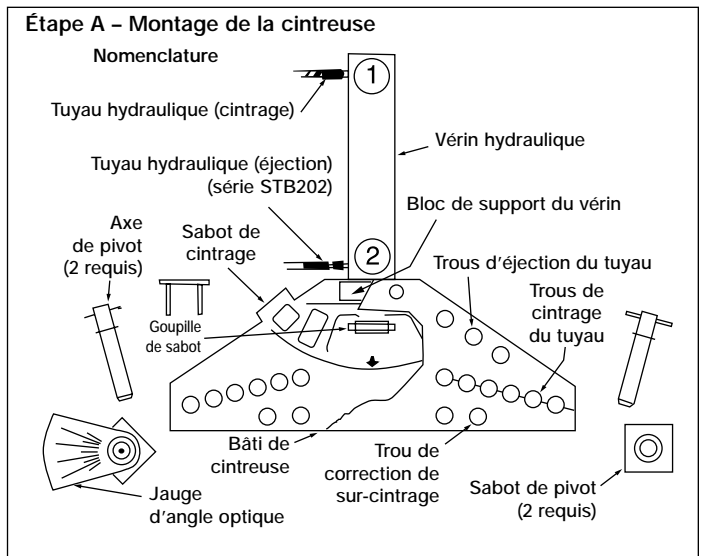


Figure 1, Montage de la cintreuse

5.0 CINTRAGE (VOIR FIGURE 2 ET 3)



IMPORTANT: avant de commencer le cintrage, s'assurer que les axes de pivot sont dans la plaque inférieure du bâti et verrouillés en place pour un ancrage correct.

Lors de l'activation de la pompe, manuelle ou électrique, l'opérateur doit se placer sur le côté vérin. Il est déconseillé d'utiliser une cintreuse de la position frontale.

Lors du cintrage, observer la jauge d'angle optique jusqu'à ce que l'angle de cintrage soit obtenu. À cause de la recouvrance du tuyau, il est nécessaire de cintrer un peu plus que l'angle souhaité.

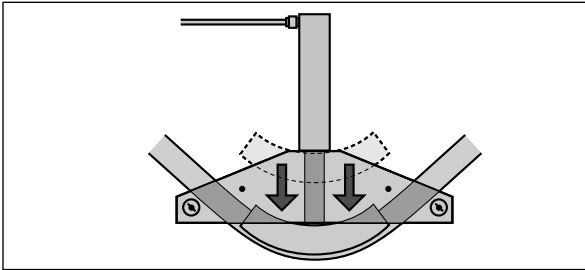


Figure 2

1. Placer le tuyau dans le bâti de la cintreuse.
2. Fixer la jauge d'angle optique sur le haut du sabot de pivot, comme indiqué à la Figure 3. Un plot de positionnement sur la jauge correspond avec un trou dans le sabot de pivot.
3. Monter l'autre sabot de pivot. Les deux sabots de pivot sont marqués pour les différentes tailles de tuyaux. Les repères sur les sabot de pivot doivent correspondre à la taille du tuyau cintré et faire face à celui-ci.
4. La jauge d'angle doit être sur zéro lors d'une lecture le long de la ligne figurant sur le bâti de la cintreuse.
5. Verrouiller les deux sabots de pivot en place avec les axes de pivots à boutons-poussoirs. L'axe de pivot est utilisé en appuyant sur la touche avec le pouce tout en saisissant la poignée. S'assurer que les axes de pivot sont introduits sans les trous marqués de la taille correspondante.
6. Tourner la soupape de pompe comme indiqué pour la soupape manuelle et procéder au cintrage. Avec les modèles à bouton-poussoir électrique, appuyer sur la touche « déploiement » (advance) (cintreuse de la série STB-202 uniquement).

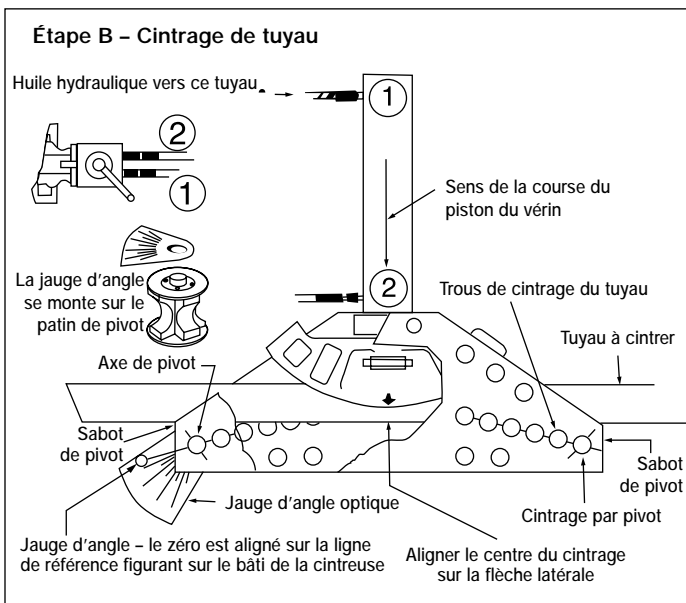


Figure 3, Cintrage de tuyau

6.0 RETRAIT DU TUYAU

Étape C - Éjection du tuyau

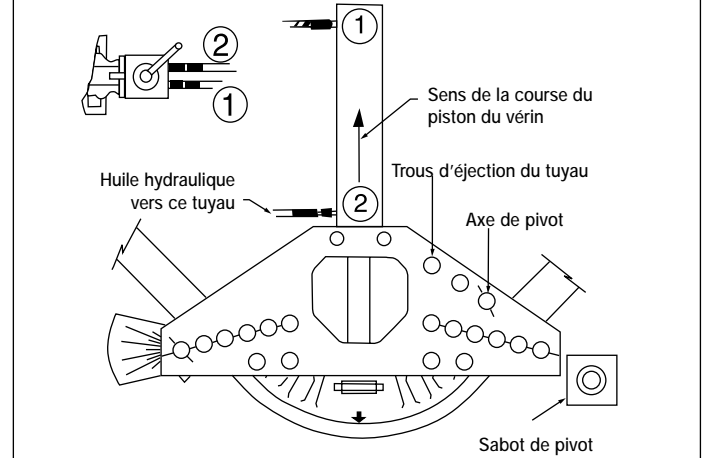


Figure 4, Éjection du tuyau

6.1 Éjection du tuyau avec la série STB-202

1. Rentrer légèrement le piston du vérin en tournant la soupape de pompe dans le sens opposé à la course extérieure de cintrage. Avec un modèle à bouton-poussoir, appuyer sur la touche de retrait.
2. Déposer un sabot de pivot ou les deux et replacer un axe de pivot dans le « trou d'éjection » de la taille de tuyau appropriée où l'axe retiendra le tuyau, et pas le sabot, lors du retrait. Les bâtis mono-coups de quatre pouces (10 cm) comportent deux trous d'éjection. Utiliser les deux trous.
3. Rentrer maintenant le piston du vérin à fond. Le sabot de cintrage et le tuyau se retirent ensemble, jusqu'à ce que le tuyau touche l'axe de pivot. Au contact, le tuyau sort du sabot.
4. Déposer l'autre axe de pivot et le sabot de pivot pour retirer le tuyau de la cintreuse.

6.2 Éjection du tuyau avec la série STB-101/221

1. Rentrer le vérin à fond en tournant la soupape de pompe dans le sens opposé à la course extérieure de cintrage avant de retirer le tuyau du sabot de cintrage.
2. Déposer un des sabot de pivot ou les deux.
3. Chasser le tuyau du sabot de cintrage avec un marteau.

7.0 INSTRUCTIONS POUR LA MONO-COUP À BOUT RELEVÉ À 90°

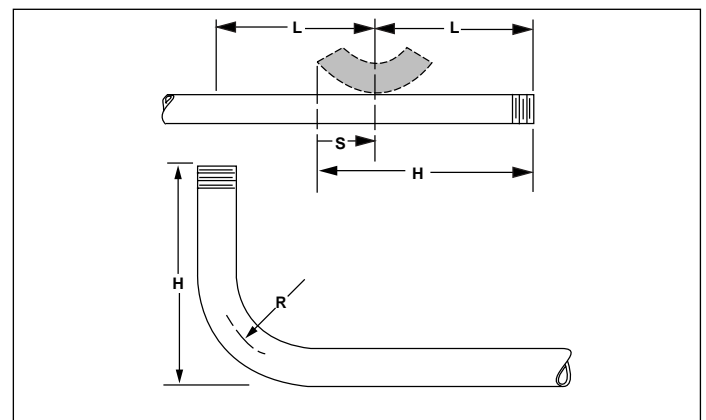


Figure 5

CINTREUSES DE TUYAUX

7.1 Instructions pour cintrage à bout relevé

1. Marquer les dimensions de relevage (H) souhaitées sur la longueur droite du tuyau (voir figure 5).
2. Rechercher la taille du tuyau à cintrer dans le tableau 1 et obtenir la dimension de recouvreance (S).
3. Mesurer la recouvreance (déduire (S) et marquer le tuyau).



La marque (S) ne peut pas être plus proche des extrémités du tuyau que la distance minimum (L), indiquée au tableau 1, sinon, les extrémités ne seront pas soutenues par les sabots de pivot.

4. Placer le tuyau dans la cintreuse en alignant les marques sur la flèche du sabot de cintrage. Procéder au cintrage en lisant l'angle souhaité sur la jauge d'angle optique.

Dimension nominale du tuyau po (cm)	Recouvreance (S) po (cm)	Rayon d'axe (R) po (cm)	Longueur minimum (L) du tuyau requise à chaque extrémité de la marque de cintrage po (cm)
1/2 (1,27)	1 1/8 (2,856)	3 1/4 (8,255)	7 1/2 (19,05)
3/4 (1,905)	1 1/2 (3,81)	4 1/2 (11,43)	8 3/4 (22,225)
1 (2,54)	1 7/8 (4,763)	5 3/4 (14,605)	10 1/4 (26,035)
1 1/4 (3,175)	2 3/8 (6,033)	7 1/4 (18,415)	12 (30,48)
1 1/2 (3,81)	2 3/8 (6,033)	8 1/4 (20,955)	13 1/4 (33,655)
2 (5,08)	3 1/4 (8,255)	9 1/2 (24,13)	15 (38,1)
2 1/2 (6,35)	3 1/2 (8,89)	10 1/2 (26,67)	18 (45,72)
3 (7,62)	4 1/2 (11,43)	13 (33,02)	20 (50,8)
3 1/2 (8,89)	5 3/16 (13,176)	15 (38,1)	26 1/2 (67,31)
4 (10,16)	6 1/2 (16,51)	20 (50,8)	27 (68,58)

7.2 Instructions pour cintreuse à coups

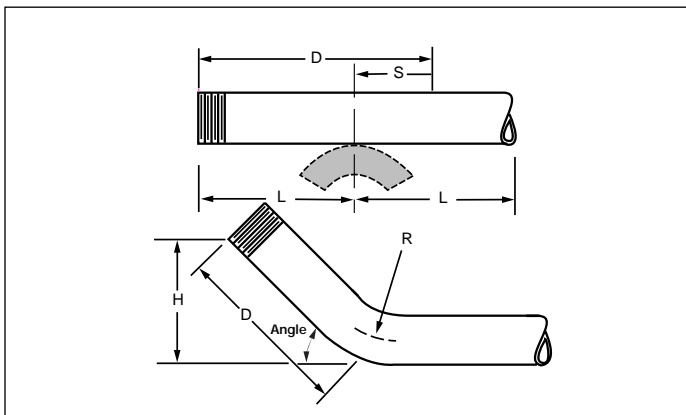


Figure 6

1. Dans le tableau 2, rechercher la distance diagonale (D) qui correspond à la dimension relevée souhaitée (H). Marquer la distance (D) à partir de l'extrémité d'une longueur droite du tuyau.
2. Rechercher la taille du tuyau dans le tableau pour obtenir la mesure de la recouvreance (S) à l'angle de cintrage souhaité.
3. Marquer la mesure (S) sur le tuyau, comme illustré à la Figure 6.



La marque (S) ne peut pas être plus proche des extrémités du tuyau que la distance minimum (L), indiquée au Tableau 3, sinon, les extrémités ne seront pas soutenues par les sabots de pivot.

4. Placer le tuyau dans la cintreuse en alignant les marques sur la flèche du sabot de cintrage. Procéder au cintrage en lisant l'angle souhaité sur la jauge d'angle optique.

Relevage (H) po (cm)	Angle de cintrage			
	15°	30°	45°	60°
2 (5,08)	7 3/4	4	2 13/16	2 5/16
4 (10,16)	15 7/16	8	5 11/16	4 5/8
6 (15,24)	23 3/16	12	8 1/2	6 15/16
8 (20,32)	30 15/16	16	11 15/16	9 1/4
10 (25,4)	38 5/8	20	14 1/8	11 9/16
12 (30,48)	46 3/8	24	17	13 7/8
14 (35,56)	54 1/16	28	19 13/16	16 3/16
16 (40,64)	61 13/16	32	22 5/8	18 1/2
18 (45,72)	69 9/16	36	25 7/16	20 13/16
20 (50,8)	77 1/4	40	28 5/16	23 1/8
22 (55,88)	85	44	31 1/8	25 3/8
24 (60,96)	92 3/4	48	33 15/16	27 13/16

Dimension nominale du tuyau po (cm)	(S) Recouvreance (po)				(R) *	(L) **
	Cintreuses à courbe douce		Cintreuses mono-coups			
	15°	30°	45°	60°		
1/2 (1,27)	—	1/8	1/4	7/16	3 1/4	7 1/2
3/4 (1,905)	1/16	3/16	5/16	9/16	4 1/2	8 3/4
1 (2,54)	1/16	1/4	7/16	3/4	5 3/4	10 1/4
1 1/4 (3,175)	1/8	1/4	1/2	7/8	7 1/4	11 1/2
1 1/2 (3,81)	1/8	5/16	5/8	1	8 1/4	13 1/4
2 (5,08)	3/16	3/8	11/16	13/16	9 1/2	15
2 1/2 (6,35)	3/16	7/16	13/16	13/8	10 1/2	16 3/4
3 (7,62)	1/4	9/16	1	11 1/16	13	18 1/2
3 1/2 (8,89)	1/4	5/8	1 1/8	11 5/16	17 1/2	22 1/4
4 (10,16)	5/16	3/4	1 3/8	2 1/2	20	24 1/4

* (R) Rayon d'axe (pouces)

** (L) Longueur minimum de tuyau requise à chaque extrémité de la marque de cintrage (pouces)

7.3 Instructions pour doubles coudes

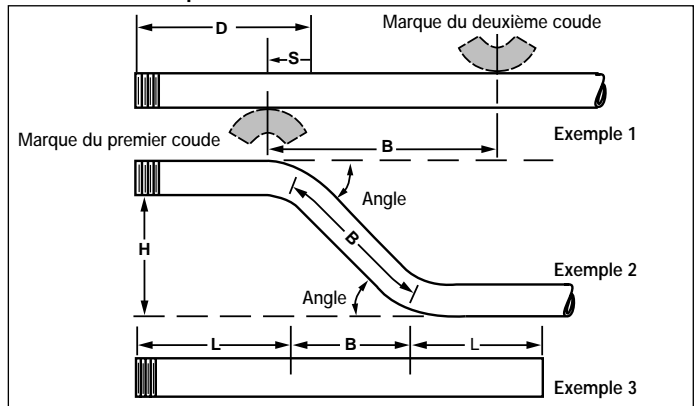


Figure 7

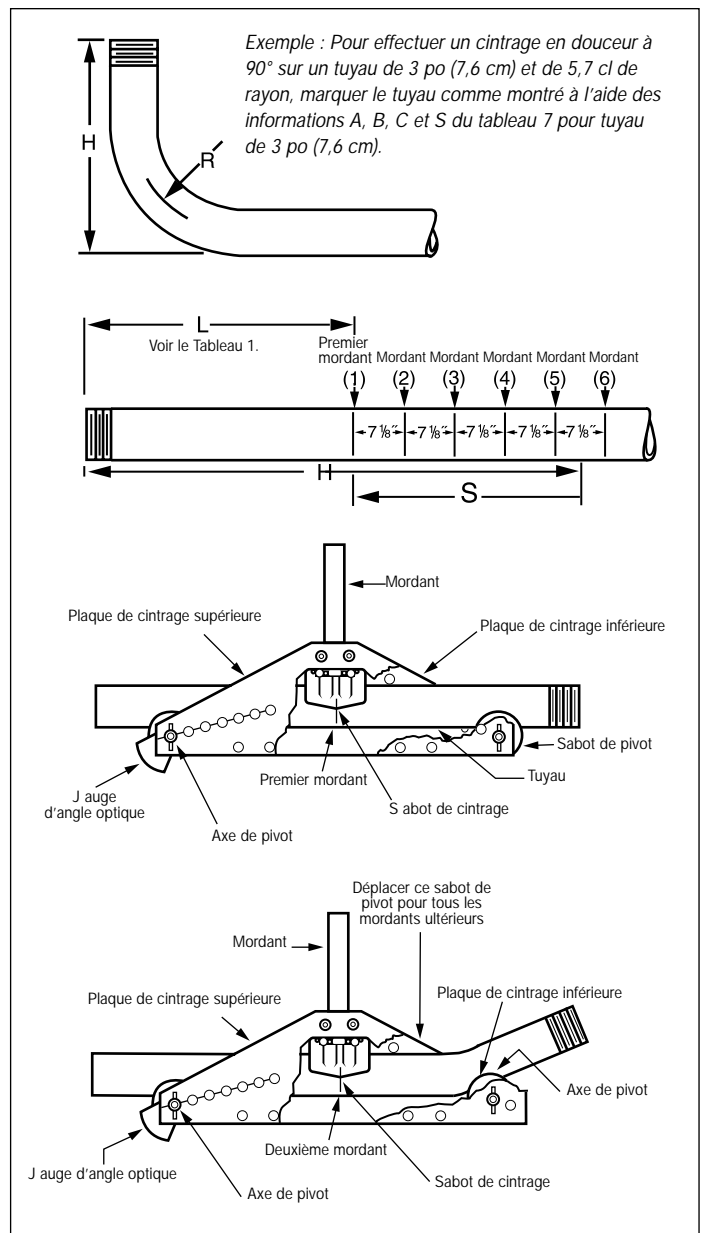
1. Déterminer l'angle de double coude souhaité. Rechercher le premier coude et le marquer à la distance (D) moins (S) de l'extrémité du tuyau en suivant la Section 7.2, « Instructions pour cintreuse à coups », numéros 2 et 3.
2. Rechercher la dimension (B) du Tableau de décalage 4, en utilisant le même angle de coude que pour la première marque.
Remarque: pour tout décalage requis (H), la dimension de tuyau maximum peut être cintrée aux angles répertoriés.
3. Marquer la deuxième mesure de cintrage (B) sur le tuyau, comme illustré (Figure 7, Exemple 1).



Les marques (B) ne peuvent pas être plus proches des extrémités du tuyau que la distance (L), sinon les extrémités ne seront pas soutenues par les sabots de pivot (voir la Figure 6, Exemple 3 et le Tableau 5 " L " requise).

- Placer le tuyau dans la cintruse en alignant la première marque sur la flèche du sabot de cintrage. Procéder au cintrage en lisant l'angle souhaité sur la jauge d'angle optique.
- Faire tourner le tuyau de 180° et aligner la deuxième marque de cintrage sur la flèche du sabot de cintrage. Procéder au deuxième cintrage en lisant l'angle souhaité sur la jauge d'angle optique.

8.0 CINTRAGE EN DOUCEUR À 90° (DE 6,35 CM À 10,15 CM UNIQUEMENT)



	Décalage requis (H) po (cm)	(B) po (cm)	Dimension de tuyau maximum po (cm)
Cintrage à 15°	2 (5,08)	7 1/16 (19,526)	3/4 (1,905)
	4 (10,16)	15 7/8 (40,127)	1 1/2 (3,81)
	6 (15,24)	23 3/16 (58,896)	3 1/2 (8,89)
	8 (20,32)	30 7/8 (78,423)	4 (10,16)
	10 (25,4)	35 5/8 (90,488)	4 (10,16)
Cintrage à 30°	2 (5,08)	-	-
	4 (10,16)	7 7/8 (20,003)	3/4 (1,905)
	6 (15,24)	11 7/8 (30,163)	1 (2,54)
	8 (20,32)	15 7/8 (40,323)	1 1/2 (3,81)
	10 (25,4)	19 7/8 (50,483)	2 (5,08)
	12 (30,48)	23 7/8 (60,643)	2 1/2 (6,35)
	14 (35,56)	27 7/8 (70,803)	3 1/2 (8,89)
	16 (40,64)	31 7/8 (80,963)	4 (10,16)
18 (45,72)	35 7/8 (91,123)	4 (10,16)	
Cintrage à 45°	6 (15,24)	8 5/16 (21,114)	1/2 (3,81)
	8 (20,32)	11 1/8 (28,258)	1 (2,54)
	10 (25,4)	13 7/8 (35,243)	1 1/4 (3,175)
	12 (30,48)	16 11/16 (42,386)	1 1/2 (3,81)
	14 (35,56)	19 1/2 (49,53)	2 (5,08)
	16 (40,64)	22 3/8 (56,833)	2 1/2 (6,35)
	18 (45,72)	25 3/16 (63,976)	3 (7,62)
	20 (50,8)	28 (71,12)	3 1/2 (8,89)
22 (55,88)	30 7/8 (78,423)	4 (10,16)	
Cintrage à 60°	6 (15,24)	-	-
	8 (20,32)	8 3/4 (22,225)	1/2 (3,81)
	10 (25,4)	10 13/16 (27,464)	1 (2,54)
	12 (30,48)	12 7/8 (32,478)	1 1/4 (3,175)
	14 (35,56)	15 1/8 (38,418)	1 1/2 (3,81)
	16 (40,64)	17 3/8 (44,133)	2 (5,08)
	18 (45,72)	18 1/2 (46,99)	2 1/2 (6,35)
	20 (50,8)	21 1/2 (54,61)	3 (7,62)
22 (55,88)	23 5/8 (60,008)	3 1/2 (8,89)	

Dimension de tuyau	(L) *
1/2" (1,27)	7 1/2
3/4" (1,905)	8 3/4
1" (2,54)	10 1/4
1 1/4" (3,175)	11 1/2
1 1/2" (3,81)	13 1/4
2" (5,08)	15
2 1/2" (6,35)	16 3/4
3" (7,62)	18 1/2
3 1/2" (8,89)	22 1/4
4" (10,16)	24 1/4

(L) = Longueur mini. de tuyau requise à chaque extrémité de la dimension (B)

Figure 8, 90° Cintrage en douceur

8.1 Utilisation de sabots de cintrage en douceur dans une cintruse mono-coup

- Marquer les dimensions de relevage (H) souhaitées sur la longueur droite du tuyau (voir figure 8).
- Rechercher la taille du tuyau à cintrer dans le tableau 6. Sélectionner le rayon de cintrage pour obtenir la dimension de recouvrement (S).
- Mesurer la recouvrement (déduire (S) et marquer le tuyau).
- Marquer le nombre de mordants (colonne A) aux écarts donnés dans la colonne B.
- Placer les sabots de pivot dans les trous de la taille du tuyau dans le bâti. Effectuer le premier cintrage à l'angle indiqué à la colonne C.

Remarque : il peut être préférable de légèrement sur-cintrer le premier mordant afin de compenser la recouvrement accumulée.

- Effectuer tous les cintrages suivants en déplaçant le sabot de pivot (sans la jauge d'angle optique) sur un trou qui garde le tuyau parallèle au bord du bâti de cintrage tout en utilisant le même angle. Pour les coups et les décalages de 15° et de 30° avec une cintruse en douceur, voir les Tableaux 3, 4 et 5.

Tableau 6					
Dimension du tuyau po (cm)	Rayon de l'axe (R) po (cm)	(S) Recouvrance po (cm)	(A) Nbre de mordants (90°)	(B) Écart entre mordants po (cm)	(C) Angle par mordant
2 1/2" (6,35)	10 1/2" (26,67)	9 3/16 (23,336)	3	5 1/2 (13,97)	30°
	14 1/2 (36,83)	13 3/32 (33,258)	4	5 3/4 (14,605)	22°
	18 1/2 (46,99)	17 1/32 (43,260)	5	5 3/4 (14,605)	18°
	22 1/2 (57,15)	21 (53,34)	6	5 7/8 (14,923)	15°
	26 1/2 (67,31)	25 11/32 (64,373)	8	5 1/4 (13,335)	11°
3" (7,62)	13" (33,02)	11 3/8 (28,893)	3	6 3/4 (17,145)	30°
	17 3/4 (45,085)	16 1/64 (40,680)	4	7 (17,78)	22°
	22 1/2 (57,15)	20 3/4 (52,705)	5	7 (17,78)	18°
	27 1/4 (69,215)	25 7/16 (64,611)	6	7 1/8 (18,098)	15°
	32 (81,28)	30 5/32 (76,597)	7	7 1/8 (18,098)	13°
3 1/2" (8,89)	17 1/2" (44,45)	14 15/16 (37,941)	3	9 1/4 (23,495)	30°
	22 7/8 (58,103)	20 3/8 (51,753)	4	9 (22,86)	22°
	28 1/4 (71,755)	25 13/16 (65,564)	5	8 7/8 (22,543)	18°
	33 5/8 (85,408)	31 1/4 (79,375)	6	8 3/4 (22,225)	15°
	39 (99,06)	36 5/8 (93,028)	7	8 1/4 (20,955)	13°
4" (10,16)	20" (50,8)	17 1/64 (43,220)	3	10 1/2 (26,67)	30°
	26 (66,04)	23 1/64 (58,460)	4	10 1/4 (26,035)	22°
	32 (81,28)	29 1/4 (74,295)	5	10 (25,4)	18°
	38 (96,52)	35 9/32 (89,614)	6	10 (25,4)	15°
	44 (111,76)	41 5/16 (41,312)	7	9 7/8 (25,083)	13°

• Ces rayons correspondent à des cintrages mono-coups à 90°.

9.1 Instructions pour cintrage en douceur / segmentaire

1. Pour le cintrage concentrique, déterminer le premier rayon.
2. Rechercher la taille du tuyau cintré dans le Tableau 7. Commencer par le rayon de cintrage le plus petit en suivant les instruction de cintrage en douceur à 90°, voir la Section 8.0.
3. Effectuer les cintrages concentriques suivants de la même façon, en notant chaque rayon et ses spécifications A, B et C correspondantes.

9.2 Cintrages à différents rayons

Pour le développement de spécifications autres que les rayons indiqués dans les tableaux, utiliser la formule suivante :

1. Déterminer le nombre de mordants souhaité, en arrondissant à partir du Tableau 6.
2. Diviser le total de degrés de l'angle requis par le nombre de mordants. Cela donne l'angle par mordant devant être effectué. (L'angle de cintrage le plus grand avec les sabot en douceur ENERPAC en un mordant est de 30°.)
3. Multiplier le rayon de cintrage par 0,018 et l'angle par mordant de l'étape 2 ($R \times .018 \times \text{angle par mordant}$). Cela donne l'écart requis entre deux mordants.
4. Procéder au cintrage en suivant les instructions précédentes.

9.0 INSTRUCTIONS POUR UN CINTRAGE CONCENTRIQUE

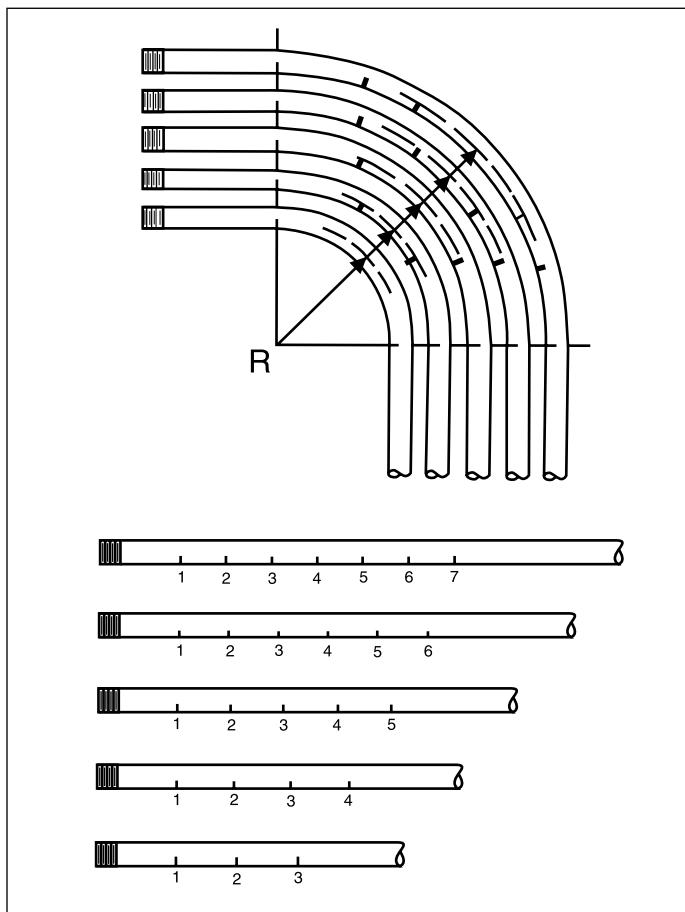


Figure 9

L2524 Rev. O 11/02

Das Ersatzteilblatt für dieses Produkt finden Sie auf der Enerpac Website www.enerpac.com, oder bei Ihrem nächstgelegenen autorisierten Enerpac Service Center oder einem Enerpac Vertriebsbüro.

1.0 WICHTIGE VERFAHRENSHINWEISE FÜR DEN EMPFANG:

Alle Komponenten auf sichtbare Transportschäden inspizieren. Transportschäden sind **nicht** von der Garantie gedeckt. Werden solche Schäden festgestellt, ist unverzüglich das Transportunternehmen zu verständigen. Das Transportunternehmen ist für alle Reparatur- und Ersatzkosten, die auf Transportschäden zurückzuführen sind, verantwortlich.

SICHERHEIT GEHT VOR

2.0 SICHERHEITSFragen



Alle Anleitungen, Warnungen und Vorsichtshinweise sorgfältig durchlesen. Beachten Sie alle Sicherheitsvorkehrungen, um Verletzungen oder

Sachschäden während des Systembetriebs zu vermeiden. Enerpac ist weder für Schäden noch Verletzungen haftbar, die durch einen fahrlässigen Gebrauch des Produkts, mangelhafte Instandhaltung oder eine unvorschriftsmäßige Anwendung des Produkts und/oder des Systems verursacht werden. Bei evtl. Fragen in bezug auf Sicherheitsvorkehrungen und Betriebsabläufe wenden Sie sich bitte an ENERPAC. Wenn Sie an keinerlei Sicherheitsschulungen im Zusammenhang mit Hochdruckhydraulikanlagen teilgenommen haben, fordern Sie von Ihrer Vertriebs- und Kundendienstzentrale einen kostenlosen Enerpac-Hydraulik-Sicherheitskurs an.

Ein Mißachten der folgenden Vorsichtshinweise und Warnungen kann zu Geräteschäden und Verletzungen führen.

Mit einem **VORSICHTSHINWEIS** wird auf ordnungsgemäße Betriebs- oder Wartungsverfahren und -praktiken hingewiesen, um Schäden an den Geräten oder anderen Sachwerten bzw. deren Zerstörung zu vermeiden.

Eine **WARNUNG** verweist auf eine potentielle Verletzungsgefahr, die durch ordnungsgemäße Verfahren oder Praktiken vermieden werden kann.

Ein **GEFAHRENSHINWEIS** wird nur dann gegeben, wenn eine bestimmte Handlung oder die Unterlassung einer bestimmten Handlung schwere oder tödliche Verletzungen zur Folge haben kann.



WARNUNG: Beim Betrieb hydraulischer Anlagen geeignete Schutzkleidung und -ausrüstung tragen.



WARNUNG: Von Lasten fernhalten, die durch ein Hydrauliksystem abgestützt werden. Ein als Lastenhebergerät eingesetzter Zylinder darf niemals als ein Lastenhaltergerät verwendet werden. Nach Heben oder Senken der Last muß diese stets auf mechanische Weise gesichert werden.



WARNUNG ZUM SICHERN VON LASTEN STETS NUR STARRE TEILE VERWENDEN. Zum Abstützen von Lasten sorgfältig dazu geeignete Stahl- oder Holzblöcke auswählen. Bei Hebe- oder Drückenwendungen keinesfalls einen Hydraulikzylinder als Abstandsstück oder -halter verwenden.



GEFAHR: Zur Vermeidung von Verletzungen während des Betriebs Hände und Füße von Zylinder und Werkstück fernhalten.



WARNUNG: Die zugelassene Nennleistung der Geräte nicht überschreiten. Keine Last zu heben versuchen, deren Gewicht das Hebevermögen des Zylinders übersteigt. Überlasten verursachen Maschinenausfälle und können zu Verletzungen führen. Die Zylinder wurden für einen max. Druck von 700 bar konstruiert. Keinen Heber oder Zylinder an eine Pumpe mit einer höheren nominalen Druckleistung anschließen.



Das Überdruckventil keinesfalls auf einen höheren Druck als den maximal zulässigen Druck der Pumpe einstellen. Höhere Einstellungen können zu Geräteschäden und/oder Verletzungen führen.



WARNUNG: Der Systembetriebsdruck darf den zulässigen Nominaldruck der Systemkomponente mit der niedrigsten Nennleistung nicht überschreiten. Zur Überwachung des Betriebsdrucks sind Manometer im System zu installieren. Dies ist das Fenster zu den Abläufen im System.



VORSICHT: Beschädigungen am Hydraulikschlauch vermeiden. Beim Verlegen der Hydraulikschläuche enge Bögen und Abknicken vermeiden. Der Einsatz eines gebogenen oder geknickten Schlauchs führt zu einem hohen Rückstau. Starke Biegungen und Knickstellen schädigen den Schlauch auf der Innenseite und führen zu dessen vorzeitigem Ausfall.



Keine schweren Gegenstände auf den Schlauch fallen lassen. Starke Erschütterungen können Schäden an den im Schlauchinneren verlaufenden Drahtlitzen verursachen. Ein Schlauch, auf den Druck ausgeübt wird, kann bersten.



WICHTIG: Hydraulische Geräte weder an den Schläuchen noch den Gelenkanschlüssen anheben. Dazu den Tragegriff oder eine andere sichere Transportmethode verwenden.



VORSICHT: Hydraulische Geräte von Flammen und Hitzequellen fernhalten. Zu hohe Temperaturen weichen Füllungen und Dichtungen auf und bewirken Flüssigkeitslecks. Große Hitze schwächt außerdem die Schlauchmaterialien und -dichtungen. Zur Gewährleistung einer optimalen Leistung darf die Anlage keinen Temperaturen über 65°C ausgesetzt werden. Außerdem müssen Schläuche und Zylinder beim Schweißen vor Funkenschlag geschützt werden.



GEFAHR: Nicht mit unter Druck stehenden Schläuchen hantieren. Unter Druck austretendes Öl kann in die Haut eindringen und schwere Verletzungen verursachen. Falls Öl unter die Haut gelangt, ist sofort ein Arzt aufzusuchen.



WARNUNG: In einem gekoppelten System dürfen nur Hydraulikzylinder verwendet werden. Niemals einen Zylinder mit unverbundenen Kupplungen verwenden. Bei einer extremen Überlastung des Zylinders können dessen Komponenten einen Sprungvollausschlag erleiden, was schwere Verletzungen hervorrufen kann.



WARNUNG: Sicherstellen, dass die Anlage stabilisiert, bevor eine Last angehoben wird. Der Zylinder sollte auf einer ebenen Oberfläche aufsitzen, die fest genug ist, um die Last abzustützen. Wenn möglich einen Zylinderfuß verwenden, um größere Stabilität zu gewährleisten. Keine Schweißarbeiten oder andere Änderungen am Zylinder vornehmen, um einen Zylinderfuß oder andere Abstützungen anzubringen.



Situationen vermeiden, in denen die Lasten nicht direkt über dem Kolben des Zylinders ausgerichtet sind. Seitlich versetzte Lasten führen zu erheblicher Belastung der Zylinder und Kolben. Außerdem könnte die Last ins Rutschen geraten oder fallen, was zu äußerst gefährlichen Situationen führen kann.



Die Last gleichmäßig über die gesamte Fläche des Druckstückes verteilen. Den Kolben immer mit einem Druckstück schützen, wenn keine Zusatzgeräte mit Gewinde benutzt werden.



WICHTIG: Hydraulische Geräte müssen von einem qualifizierten Hydrauliktechniker gewartet werden. Bei Reparaturarbeiten an die autorisierte ENERPAC-Kundendienstzentrale der jeweiligen Region wenden. Zur Aufrechterhaltung der Garantie nur ENERPAC-Öl verwenden.



WARNUNG: Abgenutzte oder beschädigte Teile unverzüglich durch ENERPAC-Originalteile ersetzen. Standardteile anderer Hersteller versagen und verursachen Verletzungen und Sachschäden. ENERPAC-Teile werden so konstruiert, daß sie richtig passen und hohen Lasten standhalten.

3.0 TECHNISCHE DATEN

SIEHE TABELLE TECHNISCHE DATEN)

4.0 BIEGEVORRICHTUNG (SIEHE ABBILDUNG 1)

- Den Hydraulikzylinder in die Zylinderhalterung am Biegerahmen einschrauben.
- Die Schläuche am Pumpventil anschließen. Schlauch (1) an Zylinderanschluss (1) anschließen. Schlauch (2) an Zylinderanschluss (2) anschließen. HINWEIS: Schlauch (2) wird nur bei Biegevorrichtungen der Serie STB-202 verwendet.
- Den Biegeschuh für das zu biegende Rohr auswählen. Jeder Biegeschuh ist mit der Größe gekennzeichnet und markiert mit einem Pfeil den Mittelpunkt der Biegung.
- Den ausgewählten Biegeschuh einsetzen und an dem Zylinderkolben mit einem U-förmigen Sicherungsbolzen fixieren.

Tabelle Technische Daten

Nenn-Rohrgröße (Außen-ø) Zoll (cm)	Wanddicke Zoll (cm)	Ausgangsmaterial*	Rohr Biegeradius Zoll (cm)	STB-101	STB-101	STB-101
				1/2-2 1 Durchgang	1-2 Ein Durchgang 2 1/2-4 Mehrstufig	1 1/4-4 1 Durchgang
1/2 (.840)	.109 (.277)	40	2 7/8 (7,303)	Ja	-	-
	.147 (.373)	80		Ja	-	-
	.187 (.475)	160		WS	-	-
	.294 (.747)	160		WS	-	-
3/4 (1.050)	.113 (.287)	40	4 (10,16)	Ja	-	-
	.154 (.391)	80		Ja	-	-
	.218 (.554)	160		WS	-	-
	.308 (.782)	DEH		WS	-	-
1 (1.315)	.133 (.338)	40	5 1/8	Ja	Ja	-
	.179 (.455)	80		Ja	Ja	-
	.250 (.635)	160		WS	WS	-
	.358 (.909)	DEH		-	WS	-
1 1/4 (1.660)	.140 (.356)	40	6 7/16	Ja	Ja	Ja
	.191 (.485)	80		Ja	Ja	Ja
	.250 (.635)	160		WS	WS	Ja
	.342 (.869)	DEH		-	WS	WS
1 1/2 (1.900)	.145 (.368)	40	7 5/16	Ja	Ja	Ja
	.200 (.508)	80		Ja	Ja	Ja
	.281 (.714)	160		WS	WS	Ja
	.400 (1,016)	DEH		-	WS	WS
2 (2.375)	.154 (.391)	40	8 5/16	Ja	Ja	Ja
	.218 (.554)	80		Ja	Ja	Ja
	.343 (.871)	160		-	WS	Ja
2 1/2 (2.875)	.203 (.516)	40	9 1/2	-	Ja	Ja
	.276 (.701)	80		-	WS	Ja
	.375 (.953)	160		-	WS	Ja
3 (3.500)	.216 (.549)	40	11 1/4	-	Ja	Ja
	.300 (.762)	80		-	WS	Ja
3 1/2 (4.000)	.226 (.574)	40	15 1/2	-	Ja	Ja
	.318 (.808)	80		-	WS	Ja
4 (4.500)	.237 (.602)	40	17 3/4	-	Ja	Ja
	.337 (.856)	80		-	-	Ja

Ausgangsmaterial: Rohr 40=Standard;Rohr 80=extra stark; Rohr 160=doppelt extra stark (nur Weichstahlrohr)

DEH=doppelt extra stark (etwas dicker als 160);

WS=kann gebogen werden, wenn die Schwenkzapfenschuhe zu den Löchern für den nächstgrößeren Rohrdurchmesser verschoben werden

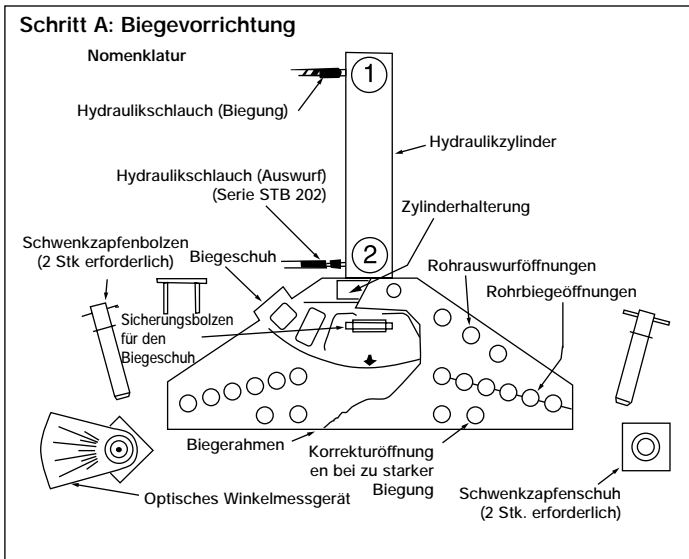


Abbildung 1, Biegevorrichtung

5.0 BIEGEN DES ROHRES (SIEHE ABBILDUNGEN 2 UND 3)



WICHTIG: Vor Beginn des Biegevorgangs müssen die Schwenkzapfenbolzen durch die untere Rahmenplatte gesteckt und in dieser Position gesichert werden, um eine korrekte Verankerung zu erreichen.

Bei Betätigung der Pumpe (Hand- oder elektrisch betriebene Pumpe) muss sich der Bediener auf die Zylinderseite stellen. Es wird nicht empfohlen, Biegevorrichtungen von vorn zu bedienen.

Bei Beginn des Biegevorgangs das optische Winkelmessgerät kontrollieren, ob der gewünschte Biegewinkel erreicht ist. Da das Rohr zurückfedert, muss der gewünschte Biegewinkel geringfügig überschritten werden.

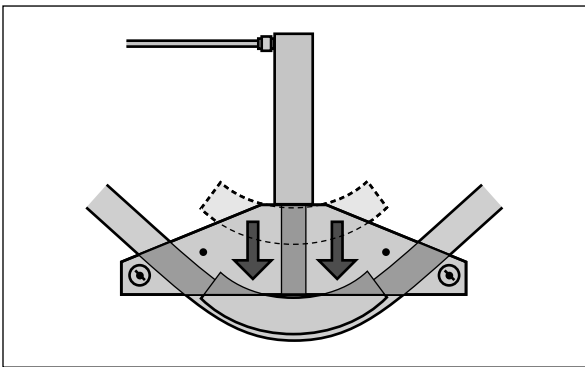


Abbildung 2

1. Das Rohr in den Biegerahmen einsetzen.
2. Das optische Winkelmessgerät wie in Abbildung 3 dargestellt an der Oberseite des Schwenkzapfenschuhs anbringen. Ein Fixierstift an dem Messinstrument passt in eine Bohrung des Schwenkzapfenschuhs.
3. Den anderen Schwenkzapfenschuh montieren. Beide Schwenkzapfenschuhe besitzen Markierungen für die verschiedenen Rohrgrößen. Die Markierungen der Schwenkzapfenschuhe entsprechen den Rohrgrößen, die gebogen werden sollen, und befinden sich an der Rohrseite.
4. Das Winkelmessgerät muss Null anzeigen, wenn es auf die Markierung am Rahmen der Biegevorrichtung eingestellt ist.

5. Die beiden Schwenkzapfenschuhe mit der Drucktaste für die Schwenkzapfenbolzen in ihrer Position verriegeln. Der Schwenkzapfenbolzen wird eingeführt, indem mit dem Daumen eine Taste gedrückt und zugleich der Sterngriff erfasst wird. Die Schwenkzapfenbolzen müssen in die entsprechend markierten Öffnungen für die gewünschte Rohrgröße eingeführt werden.
6. Das Pumpenventil wie in der Abbildung für das manuell betätigte Ventil öffnen und den Biegevorgang fortsetzen. Bei dem elektrisch betriebenen Modell mit Drucktaster den Drucktaster "Advance" drücken (nur bei Biegevorrichtungen der Serie STB-202).

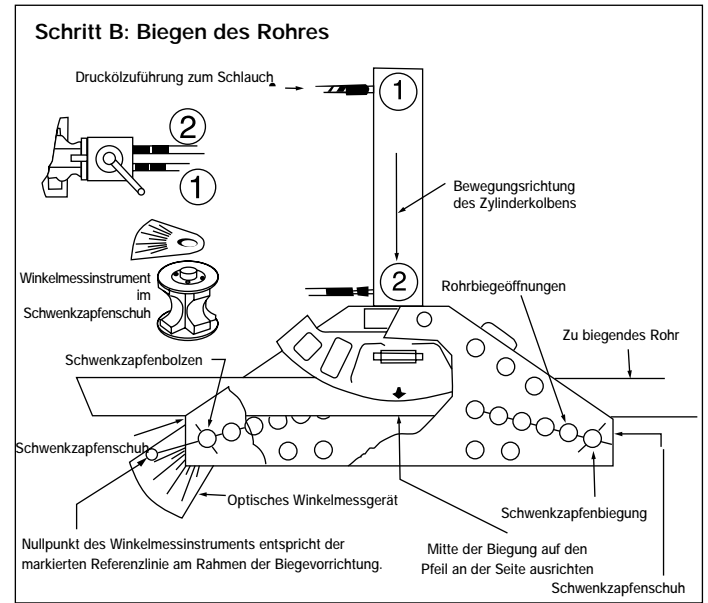


Abbildung 3, Biegen des Rohres

6.0 HERAUSNEHMEN DES ROHRES

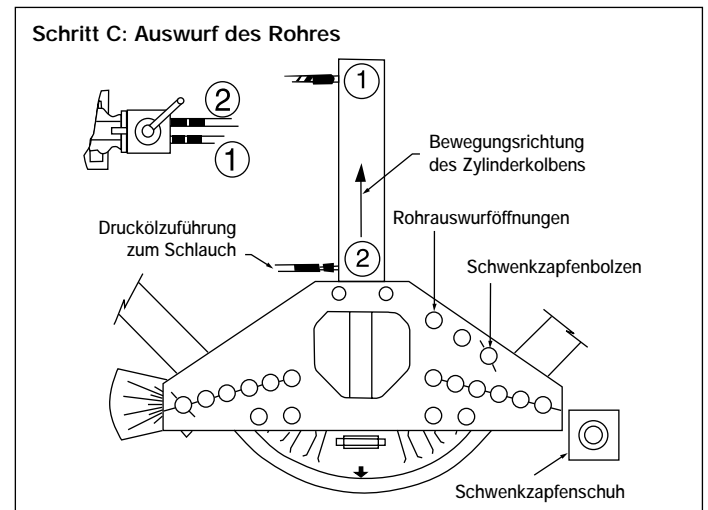


Abbildung 4, Auswurf des Rohres

6.1 Auswurf des Rohres bei dem Modell der Serie STB-202

1. Den Zylinderkolben leicht zurückfahren, indem das Pumpventil entgegengesetzt zur Biegebewegung verdreht wird. Dadurch wird der Druck auf die Schwenkzapfenschuhe und Schwenkzapfenbolzen verringert. Bei dem Modell mit Elektroantrieb den Drucktaster für die Rückstellung betätigen.

- Einen oder beiden Schwenkzapfenschuhe entfernen und einen Schwenkzapfenbolzen in der betreffenden "Auswurföffnung" der Rohrgröße einsetzen, so dass der Bolzen das Rohr (nicht den Schwenkzapfenschuh) bei der Rückbewegung hält. Die Biegerahmen der Größe 4 Zoll für Rohrbiegungen in einem Schritt besitzen zwei Auswurföffnungen. Beide Auswurföffnungen verwenden.
- Jetzt den Zylinderkolben ganz zurückfahren. Biegeschuh und Rohr bewegen sich gemeinsam zurück, bis das Rohr am Schwenkzapfenbolzen anstößt. Sobald dies erreicht ist, löst sich das Rohr vom Biegeschuh.
- Den anderen Schwenkzapfenbolzen und den Schwenkzapfenschuh entfernen, um das Rohr aus der Biegevorrichtung zu nehmen.

6.2 Auswurf des Rohres bei der Serie STB-101/221

- Durch Verdrehen des Pumpenventils entgegen der Richtung für den Biegehub den Hydraulizylinder ganz zurückfahren und dann das Rohr aus dem Biegeschuh herausnehmen.
- Einen oder beide Schwenkzapfenschuhe entfernen.
- Das Rohr mit einem Hammer aus dem Biegeschuh herausschlagen.

7.0 ANWEISUNGEN ZUR PRODUKTION VON ROHRBÖGEN 90° IN EINEM ARBEITSGANG

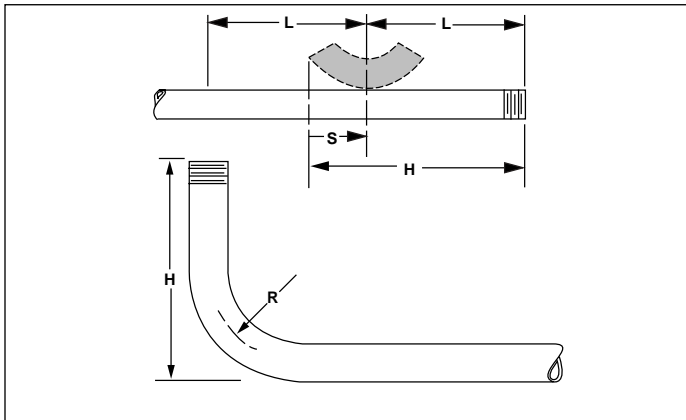


Abbildung 5

ROHRBIEGEVORRICHTUNGEN

7.1 Anweisungen zur Anfertigung von Rohrbögen

- Den gewünschten Biegepunkt (H) auf dem geraden Rohr markieren (siehe Abbildung 5).
- Die zu biegende Rohrgröße in Tabelle 1 suchen und das Rücksetzmaß (S) entnehmen.
- Das hintere Maß bestimmen (Rücksetzmaß (S) abziehen und Rohr markieren).



Das Rücksetzmaß (S) darf nicht näher am Rohrende liegen als die Mindestlänge (L) aus Tabelle 1, sonst werden die Rohrenden nicht durch die Schwenkzapfenschuhe gehalten.

- Das Rohr in die Biegevorrichtung einlegen, so dass die Markierungen mit dem Pfeil am Biegeschuh übereinstimmen. Den Biegevorgang durchführen und an dem optischen Winkelmessgerät den gewünschten Winkel ablesen.

Nennrohrgröße Zoll (cm)	Rücksetzmaß (S) Zoll (cm)	Mittellinien-Radius (R) Zoll (cm)	Mindestlänge (L) des Rohre an jedem Ende der Biegemarkierung Zoll (cm)
1/2 (1,27)	1 1/8 (2,856)	3 1/4 (8,255)	7 1/2 (19,05)
3/4 (1,905)	1 1/2 (3,81)	4 1/2 (11,43)	8 3/4 (22,225)
1 (2,54)	1 7/8 (4,763)	5 3/4 (14,605)	10 1/4 (26,035)
1 1/4 (3,175)	2 3/8 (6,033)	7 1/4 (18,415)	12 (30,48)
1 1/2 (3,81)	2 3/8 (6,033)	8 1/4 (20,955)	13 1/4 (33,655)
2 (5,08)	3 1/4 (8,255)	9 1/2 (24,13)	15 (38,1)
2 1/2 (6,35)	3 1 1/16 (78,90)	10 1/2 (26,67)	18 (45,72)
3 (7,62)	4 1/2 (11,43)	13 (33,02)	20 (50,8)
3 1/2 (8,89)	5 3/16 (13,176)	15 (38,1)	26 1/2 (67,31)
4 (10,16)	6 1/2 (16,51)	20 (50,8)	27 (68,58)

7.2 Biegehinweise für Rohrknie

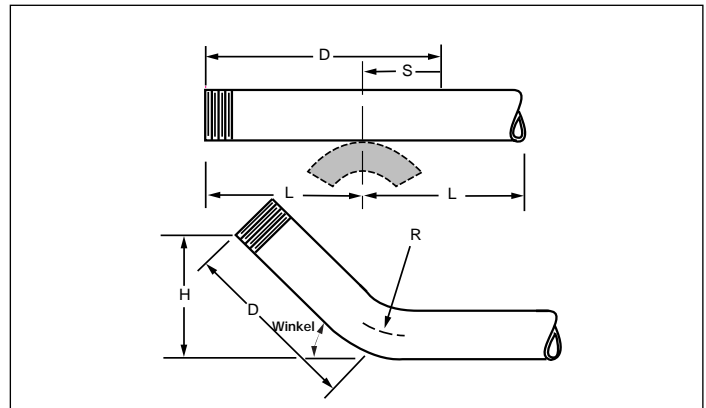


Abbildung 6

- Aus Tabelle 2 den Diagonalabstand (D) für die gewünschte Biegung (H) entnehmen. Die Diagonalabstand (D) vom geraden Ende des Rohres messen.
- Die zu biegende Rohrgröße in Tabelle 3 suchen und das Rücksetzmaß (S) für den gewünschten Biegepunkt entnehmen.
- Das Rücksetzmaß (S) am Rohr entsprechend Abbildung 6 markieren.



Das Rücksetzmaß (S) darf nicht näher am Rohrende liegen als die Mindestlänge (L) aus Tabelle 3, sonst werden die Rohrenden nicht durch die Schwenkzapfenschuhe gehalten.

- Das Rohr in die Biegevorrichtung einlegen, so dass die Markierungen mit dem Pfeil am Biegeschuh übereinstimmen. Den Biegevorgang durchführen und an dem optischen Winkelmessgerät den gewünschten Winkel ablesen.

Tabelle 2, Diagonalabstand (D)				
Biegemaß (H) Zoll (cm)	Biegewinkel			
	15°	30°	45°	60°
2 (5,08)	7 3/4	4	2 13/16	2 5/16
4 (10,16)	15 7/16	8	5 11/16	4 5/8
6 (15,24)	23 3/16	12	8 1/2	6 15/16
8 (20,32)	30 15/16	16	11 5/16	9 1/4
10 (25,4)	38 5/8	20	14 1/8	11 9/16
12 (30,48)	46 3/8	24	17	13 7/8
14 (35,56)	54 1/16	28	19 13/16	16 3/16
16 (40,64)	61 13/16	32	22 5/8	18 1/2
18 (45,720)	69 9/16	36	25 7/16	20 13/16
20 (50,8)	77 1/4	40	28 5/16	23 1/8
22 (55,88)	85	44	31 1/8	25 3/8
24 (60,96)	92 3/4	48	33 15/16	27 13/16

Tabelle 3, Rohrknie						
Nenn-Rohrgröße Zoll (cm)	Rücksetzmaß (S) (Zoll)				(R) *	(L) **
	Mehrstufige Biegung		Biegung in 1 Durchgang			
	15°	30°	45°	60°		
1/2 (1,27)	—	1/8	1/4	7/16	3 1/4	7 1/5
3/4 (1,905)	1/16	3/16	5/16	9/16	4 1/2	8 3/4
1 (2,54)	1/16	1/4	7/16	3/4	5 3/4	10 1/4
1 1/4 (3,175)	1/8	1/4	1/2	7/8	7 1/4	11 1/2
1 1/2 (3,81)	1/8	5/16	5/8	1	8 1/4	13 1/4
2 (5,08)	3/16	3/8	11/16	1 3/16	9 1/2	15
2 1/2 (6,35)	3/16	7/16	13/16	1 3/8	10 1/2	16 3/4
3 (7,62)	1/4	9/16	1	1 11/16	13	18 1/2
3 1/2 (8,89)	1/4	5/8	1 1/8	1 5/16	17 1/2	22 1/4
4 (10,16)	5/16	3/4	1 3/8	2 1/2	20	24 1/4

* (R) Mittellinien-Radius (Zoll)
 ** (L): erforderliche Mindestlänge des Rohres an jedem Ende der Biegemarkierung (in Zoll)

7.3 Biegehinweise für gekröpfte Rohrformstücke

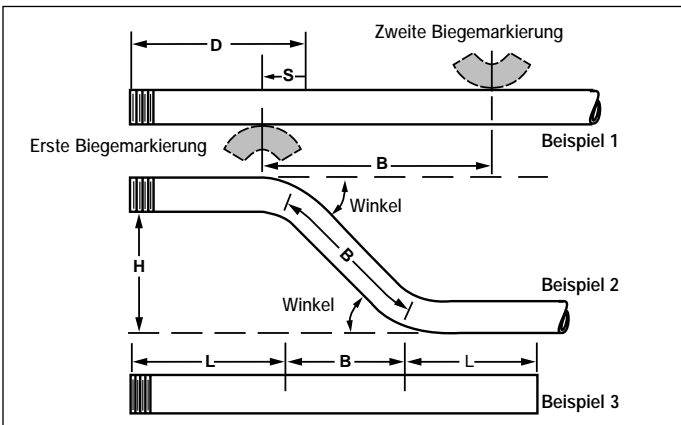


Abbildung 7

- Den gewünschten Kröpfungswinkel für das Formstück bestimmen. Die erste Biegung am Abstand (D) abzüglich Rücksetzmaß (S) vom Rohrende aus entsprechend den "Biegehinweisen für Rohrknie" in Abschnitt 7.2 Nr. 2 und 3 markieren.
- Den Abstand (B) aus der Kröpfungstabelle 4 für den gleichen Biegewinkel wie bei der ersten Markierung entnehmen. **HINWEIS:** Für jeden gewünschten Kröpfungswinkel (H) können Rohre mit dem in der Tabelle angegebenen Maximaldurchmesser für die angegebenen Winkel gebogen werden.
- Die zweite Biegemarkierung (B) am Rohr wie in Abbildung 7, Beispiel 1 markieren.

⚠ Die Markierungen (B) dürfen nicht näher am Rohrende liegen als die Mindestlänge (L), sonst werden die Rohrenden nicht durch die Schwenkzapfenschuhe gehalten (siehe Abb. 6, Beispiel 3 und Tabelle 5 mit Mindestlänge "L").

- Das Rohr in die Biegevorrichtung einlegen, so dass die erste Markierung mit dem Pfeil am Biegeschuh übereinstimmt. Den Biegevorgang durchführen und an dem optischen Winkelmessgerät den gewünschten Winkel ablesen.
- Das Rohr um 180° drehen und die zweite Biegemarkierung auf den Pfeil am Biegeschuh ausrichten. Den zweiten Biegevorgang durchführen und an dem optischen Winkelmessgerät den gewünschten Winkel ablesen.

Tabelle 4, Kröpfungstabelle für Rohrbiegen in einem Durchgang bzw. mehreren Durchgängen			
	Biege- maß (H) Zoll (cm)	(B) Zoll (cm)	Maximale Rohrgröße Zoll (cm)
Biegung 15°	2 (5,08)	71 1/16 (19,526)	3/4 (1,905)
	4 (10,16)	15 7/8 (40,323)	1 1/2 (3,81)
	6 (15,24)	23 3/16 (58,896)	3 1/2 (8,89)
	8 (20,32)	30 7/8 (78,423)	4 (10,16)
Biegung 30°	10 (25,4)	35 5/8 (90,488)	4 (10,16)
	2 (5,08)	—	—
	4 (10,16)	7 7/8 (20,003)	3/4 (1,905)
	6 (15,24)	11 7/8 (30,163)	1 (2,54)
	8 (20,32)	15 7/8 (40,323)	1 1/2 (3,81)
	10 (25,4)	19 7/8 (50,483)	2 (5,08)
	12 (30,48)	23 7/8 (60,643)	2 1/2 (6,35)
	14 (35,56)	27 7/8 (70,803)	3 1/2 (8,89)
Biegung 45°	16 (40,64)	31 7/8 (80,963)	4 (10,16)
	18 (45,72)	35 7/8 (91,123)	4 (10,16)
	6 (15,24)	8 5/16 (21,114)	1/2 (3,81)
	8 (20,32)	11 1/8 (28,258)	1 (2,54)
	10 (25,4)	13 7/8 (35,243)	1 1/4 (3,175)
	12 (30,48)	16 11/16 (42,386)	1 1/2 (3,81)
	14 (35,56)	19 1/2 (49,53)	2 (5,08)
	16 (40,64)	22 3/8 (56,833)	2 1/2 (6,35)
	18 (45,72)	25 3/16 (63,976)	3 (7,62)
	20 (50,8)	28 (71,12)	3 1/2 (8,89)
Biegung 60°	22 (55,88)	30 7/8 (78,423)	4 (10,16)
	6 (15,24)	—	—
	8 (20,32)	8 3/4 (22,225)	1/2 (3,81)
	10 (25,4)	10 13/16 (27,464)	1 (2,54)
	12 (30,48)	12 7/8 (32,478)	1 1/4 (3,175)
	14 (35,56)	15 1/8 (38,418)	1 1/2 (3,81)
	16 (40,64)	17 3/8 (44,133)	2 (5,08)
	18 (45,72)	18 1/2 (46,99)	2 1/2 (6,35)
	20 (50,8)	21 1/2 (54,61)	3 (7,62)
	22 (55,88)	23 5/8 (60,008)	3 1/2 (8,89)

Rohrgröße	(L) *
1/2" (1,27)	7 1/2
3/4" (1,905)	8 3/4
1" (2,54)	10 1/4
1 1/4" (3,175)	11 1/2
1 1/2" (3,81)	13 1/4
2" (5,08)	15
2 1/2" (6,35)	16 3/4
3" (7,62)	18 1/2
3 1/2" (8,89)	22 1/4
4" (10,16)"	24 1/4

** (L): erforderliche Mindestlänge des Rohres an jedem Ende von Maß (B)

8.0 MEHRSTUFIG GEBOGENE ROHRBÖGEN 90° (NUR 2 1/2" BIS 4")

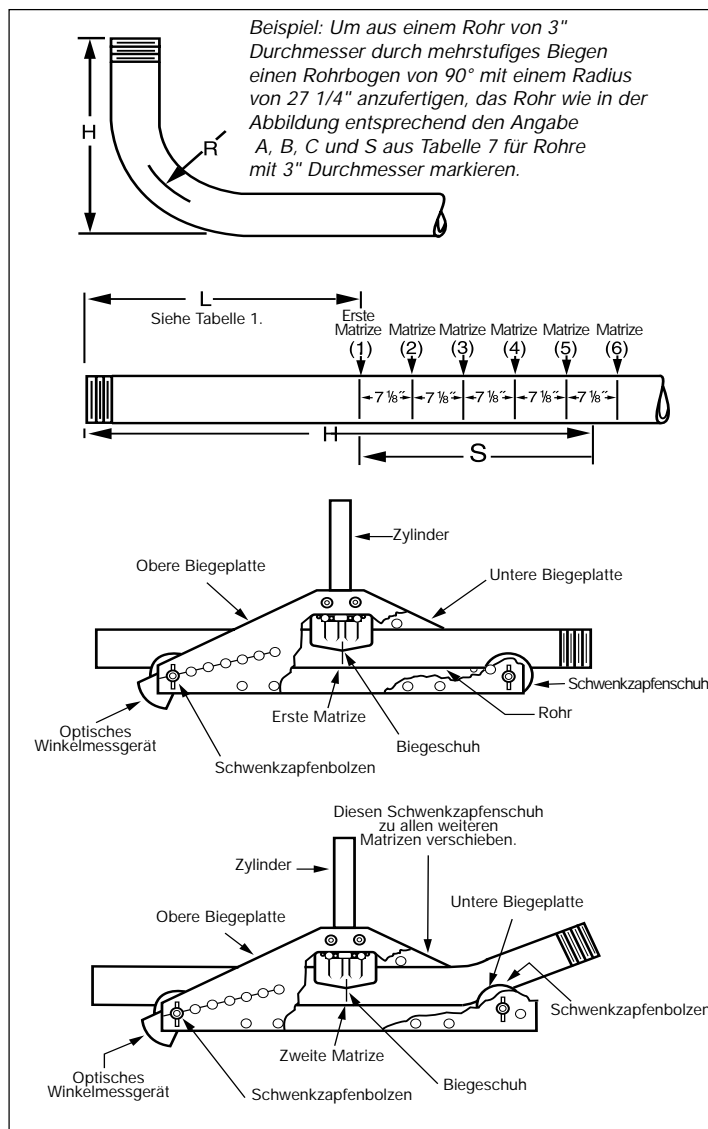


Abbildung 8, Mehrstufig gebogener Rohrbögen 90°

8.1 Einsatz der Gleitschuhe beim Rohrbiegen in einem Durchgang

1. Das gewünschte Biegemaß (H) auf dem geraden Rohr markieren (siehe Abbildung 8).
2. Die Größe des zu biegenden Rohres in Tabelle 6 suchen. Das Rücksetzmaß (S) für den gewünschten Biegeradius beim mehrstufigen Biegen auswählen.
3. Das hintere Maß bestimmen (Rücksetzmaß (S) abziehen und Rohr markieren).
4. Die vorgegebene Anzahl der Matrizen (Spalte A) in den in Spalte B angegebenen Abständen markieren.
5. Die Schwenkzapfenschuhe für die am Rahmen angegebene Rohröffnungsgröße anbringen. Die erste Biegung für den Winkel in Spalte C anfertigen..

HINWEIS: Es ist zweckmäßig, an der ersten Matrize das Rohr etwas weiter zu biegen, um die Federwirkung auszugleichen.

6. Alle weiteren Biegeschritte ausführen und dabei den Schwenkzapfenschuh (ohne das optische Winkelmessgerät) jeweils zur nächsten Öffnung schieben, so dass das Rohr parallel zur Kante des Biegerahmens bleibt, wenn der Biegewinkel nicht verändert wird.

Zur Anfertigung von Rohrknieen und gekröpften Rohrformstücken mit Winkeln von 15 und 30° durch mehrfaches Biegen die Tabellen 3, 4 und 5 verwenden.

Rohrgröße Zoll (cm)	Mittellinien- Radius (R) Zoll (cm)	(S) Rücksetzmaß Zoll (cm)	(A) Zahl der Matrizen (90°)	(B) Abstand zwischen Matrizen Zoll (cm)	(C) Grad pro Matrize
2 1/2" (6,35)	10 1/2* (26,67)	9 3/16 (23,336)	3	5 1/2 (13,97)	30°
	14 1/2 (36,83)	13 3/32 (33,258)	4	5 3/4 (14,605)	22°
	18 1/2 (46,99)	17 1/32 (43,260)	5	5 3/4 (14,605)	18°
	22 1/2 (57,15)	21 (53,34)	6	5 7/8 (14,923)	15°
	26 1/2 (67,31)	25 1/32 (64,373)	8	5 1/4 (13,335)	11°
3" (7,62)	13* (33,02)	11 3/8 (28,893)	3	6 3/4 (17,145)	30°
	17 3/4 (45,085)	16 1/64 (40,680)	4	7 (17,78)	22°
	22 1/2 (57,15)	20 3/4 (52,705)	5	7 (17,78)	18°
	27 1/4 (69,215)	25 7/16 (64,611)	6	7 1/8 (18,098)	15°
	32 (81,28)	30 5/32 (76,597)	7	7 1/8 (18,098)	13°
3 1/2" (8,89)	17 1/2* (44,45)	14 15/16 (37,941)	3	9 1/4 (23,495)	30°
	22 7/8 (58,103)	20 3/8 (51,753)	4	9 (22,86)	22°
	28 1/4 (71,755)	25 13/16 (65,564)	5	8 7/8 (22,543)	18°
	33 5/8 (85,408)	31 1/4 (79,375)	6	8 3/4 (22,225)	15°
	39 (99,06)	36 5/8 (93,028)	7	8 1/4 (20,955)	13°
4" (10,16)	20* (50,8)	17 1/64 (43,220)	3	10 1/2 (26,67)	30°
	26 (66,04)	23 1/64 (58,460)	4	10 1/4 (26,035)	22°
	32 (81,28)	29 1/4 (74,295)	5	10 (25,4)	18°
	38 (96,52)	35 9/32 (89,614)	6	10 (25,4)	15°
	44 (111,76)	41 5/16 (41,312)	7	9 7/8 (25,083)	13°

* Diese Radien entsprechen einem Rohrbogen von 90°, gebogen in einem Durchgang.

9.0 HINWEISE FÜR KONZENTRISCHE BIEGUNGEN

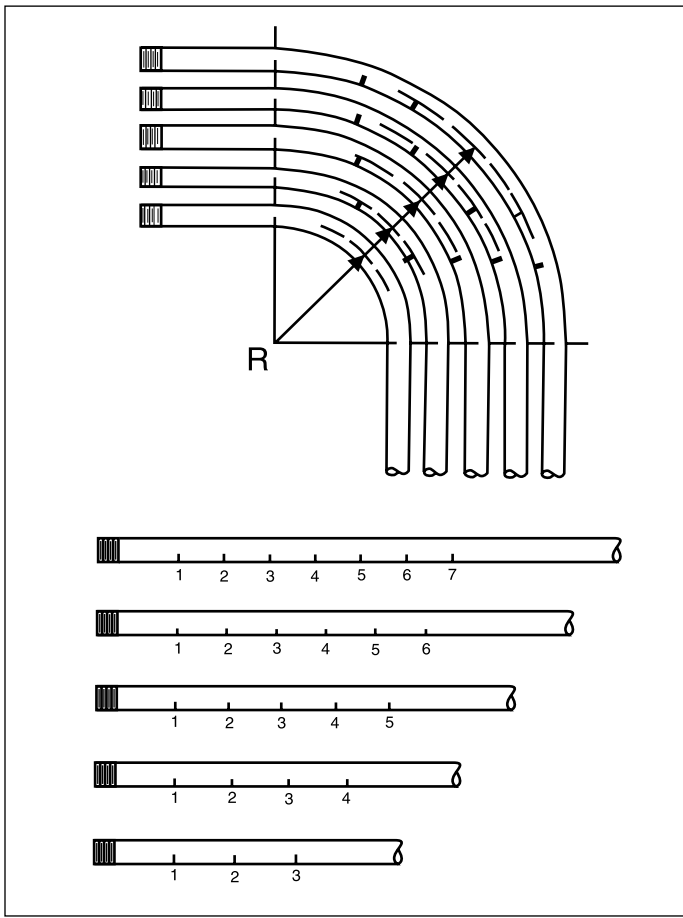


Abbildung 9

9.1 Hinweise für mehrstufiges Biegen /Segmentbögen

1. Bei konzentrischen Rohrbögen den Anfangsradius festlegen.
2. Die zu biegende Rohrgröße in Tabelle 7 suchen. Den kleinsten Biegeradius entsprechend den Hinweisen zum mehrstufigen Biegen in Abschnitt 8.0 biegen.
3. Alle weiteren konzentrischen Rohrbögen auf die gleiche Weise anfertigen. Dabei ist jeweils auf den nächstgrößeren Radius und die entsprechenden Werte für A, B und C zu achten.

9.2 Biegungen mit anderen Radien

Zur Entwicklung eigener Spezifikationen für andere Radien, die nicht in den Tabellen enthalten sind, folgende Formel verwenden:

1. Die Anzahl der Matrizen für die Biegeschritte bestimmen - Näherungswerte siehe Tabelle 6.
2. Die Gradzahl des benötigten Biegewinkels durch die Anzahl der Matrizen bzw. Biegeschritte teilen. Das ergibt die Gradzahl für jeden einzelnen Biegeschritt. (Der maximal mögliche Winkel mit den Gleitschuhen von Enerpac bei einem Biegeschritt beträgt 30°.)
3. Den Biegeradius mit .018 und der Gradzahl pro Biegeschritt aus Schritt 2 multiplizieren ($R \times .018 \times \text{Gradzahl pro Biegeschritt}$). Dies ergibt den erforderlichen Abstand zwischen den einzelnen Matrizen.
4. Den Biegevorgang gemäß den bereits erläuterten Anweisungen fortsetzen.

PIEGA TUBI SERIE STB (solo per tubi in acciaio dolce)

L2524 Rev. O 11/02

L'esplosione delle parti di ricambio per questo prodotto è ottenibile sul sito web www.enerpac.com, oppure chiamando il Centro Assistenza Autorizzato a voi più vicino, o il ns. ufficio commerciale.

1.0 ISTRUZIONI AL RICEVIMENTO

Controllare visivamente tutti i componenti per accertare eventuali danni derivanti dal trasporto. Se del caso, sporgere subito reclamo al trasportatore. I danni causati durante il trasporto non sono coperti dalla garanzia. Il trasportatore è responsabile degli stessi e deve rispondere di tutte le spese e costi per la rimessa in efficienza del materiale.

SICUREZZA ANZITUTTO

2.0 NORME SULLA SICUREZZA



Leggere attentamente tutte le istruzioni, le Precauzioni ed Avvertenze che si devono osservare durante l'impiego delle attrezzature. Rispettare tutte le norme di sicurezza per evitare infortuni alle persone e danni alle cose. L'ENERPAC non è responsabile per infortuni e danni causati dal mancato rispetto delle Norme di Sicurezza, dall'uso e dall'applicazione impropria del prodotto o dalla sua mancata manutenzione. In caso di dubbi sulla applicazione del prodotto o sulla Sicurezza, contattare l'ENERPAC. Se non si conoscono le Norme di Sicurezza per i Sistemi Oleodinamici ad Alta Pressione contattare l'ENERPAC o i suoi Rappresentanti per un corso gratuito di addestramento sulla Sicurezza.

L'inosservanza delle seguenti Norme di Sicurezza può causare infortuni alle persone e danni alle attrezzature.

PRECAUZIONE: Sta ad indicare la corretta procedura d'impiego o di manutenzione per evitare danni, anche irreparabili, dell'attrezzatura e delle cose circostanti.

AVVERTENZA: Sta ad indicare un potenziale pericolo che richiede l'osservanza della procedura per evitare infortuni alle persone.

PERICOLO: E' usato solo quando una azione od una mancata azione può provocare gravi infortuni se non la morte.



AVVERTENZA: Durante l'impiego delle attrezzature oleodinamiche usare sempre gli indumenti protettivi appropriati.



AVVERTENZA: Non sostare sotto ai carichi sorretti oleodinamicamente. Quando si impiega un cilindro, oleodinamico, per sollevare od abbassare un carico, non deve mai essere utilizzato come sostegno permanente. Dopo ogni operazione di sollevamento od abbassamento, assicurare il carico meccanicamente.



AVVERTENZA: IMPIEGARE SUPPORTI SOLIDI PER IL SOSTEGNO DEI CARICHI. Scegliere blocchi in acciaio o legno idonei a sostenere il carico. Non usare mai il cilindro oleodinamico come cuneo o spessore nelle operazioni di sollevamento o pressatura.



PERICOLO: Per evitare lesioni personali, tenere mani e piedi lontano dai cilindri oleodinamici durante il loro impiego.



AVVERTENZA: Non superare mai la potenza nominale dell'attrezzatura. Non tentare mai di sollevare un carico superiore alla capacità del cilindro. I sovraccarichi possono causare danni all'attrezzatura ed infortuni alle persone. I cilindri sono stati progettati per operare ad una pressione di 700 bar max. Non collegare mai i cilindri ad una pompa con pressione nominale maggiore.



MAI tarare la valvola regolatrice di pressione ad un valore superiore a quello nominale della pompa. Una taratura troppo alta può causare lesioni alle persone e danni alle attrezzature.



AVVERTENZA: La pressione max. di esercizio, in un circuito, non deve mai superare quella nominale del componente a pressione più bassa. Per controllare la pressione in un circuito, montare un manometro.



PRECAUZIONE: Evitare di danneggiare il tubo flessibile. Evitare curve strette e serpentine dei tubi flessibili. Curve troppo strette causano strozzature nella tubazione che possono dar luogo a pericolose contropressioni le quali ne compromettono la durata.



NON schiacciare i tubi flessibili. Lo schiacciamento od urto, con oggetti pesanti, possono danneggiare le spirali metalliche interne di rinforzo. Pressurizzare un tubo flessibile lesionato ne causa la rottura.



IMPORTANTE: Non usare il tubo flessibile od il giunto ruotante per sollevare le attrezzature. Servirsi delle maniglie di trasporto o di altri mezzi più sicuri.



PRECAUZIONE: Proteggere tutti i componenti oleodinamici da fonti di calore. Una temperatura elevata ammorbidisce le tenute, le guarnizioni ed il tubo flessibile, dando origine a perdite d'olio. Per un corretto funzionamento la temperatura dell'olio non deve superare i 65 °C. Proteggere i tubi flessibili ed i cilindri dagli spruzzi di saldatura.

PERICOLO: Non maneggiare i tubi flessibili sotto pressione. Spruzzi d'olio sotto pressione perforano la pelle causando serie complicazioni. Se l'olio è penetrato sotto pelle, consultare immediatamente un Medico.

AVVERTENZA: Impiegare i cilindri solo con innesti collegati. Non usare MAI i cilindri con gli innesti scollegati. Sovraccarichi incontrollati sui cilindri possono causare guasti gravissimi e lesioni alle persone.

AVVERTENZA: Prima di procedere al sollevamento di un carico, assicurarsi della perfetta stabilità dei Cilindri. I cilindri devono essere posizionati su una superficie piana, in grado di sorreggere il carico. Dove è possibile, impiegare la base d'appoggio per cilindri per aumentarne la stabilità. Non modificare in alcun modo i cilindri per collegarli o saldarli a supporti speciali.

Evitare l'impiego dei cilindri quando il carico non è centrato sul pistone. I carichi disassati generano dannose sollecitazioni per i cilindri, inoltre, il carico potrebbe slittare e cadere con conseguenze disastrose.

Far appoggiare il carico sull'intera superficie della testina del pistone. Usare sempre le testine per proteggere lo stelo.

IMPORTANTE: La manutenzione delle attrezzature oleodinamiche deve essere affidata solo a tecnici qualificati. Per il servizio di assistenza tecnica, rivolgersi al Centro Assistenza Autorizzato ENERPAC di zona. Per salvaguardare la Vostra garanzia, usare solo olio ENERPAC.

AVVERTENZA: Sostituire immediatamente le parti usurate o danneggiate con ricambi originali ENERPAC. Le parti usurate si potrebbero rompere, causando lesioni alle persone e danni alle cose.

3.0 AZIONI SPECIFICHE (VEDERE LA TABELLA DELLE SPECIFICHE)

4.0 MONTAGGIO PIEGATUBI (VEDERE LA FIGURA 1)

1. Avvitare il cilindro idraulico nel blocco di supporto sul telaio della piega tubi.
2. Collegare il tubo (1) alla valvola della pompa. Collegare il tubo (2) al raccordo del cilindro (2), il tubo flessibile (2) è usato solo con i piega tubi della serie STB-202.
3. Selezionare la scarpa di piegatura per il tubo che deve essere piegato. Ogni scarpa è marcata per le dimensioni previste ed ha una freccia, che indica il punto centrale della piega che si deve fare.
4. Inserire e bloccare la scarpa di piegatura prescelta sullo stelo del pistone del cilindro con una spina piegata ad U.

Specifiche tecniche

Dimensione nominale tubo (ø esterno) pol (cm)	Spessore parete pol (cm)	Gamma Tubo*	Raggio Tubo pol	STB-101	STB-221 1-2	STB-202
				1/2-2 Una corsa	Una corsa 21/2-4 Curvatura	11/4-4 Una corsa
1/2 (.840)	.109 (.277)	40	2 7/8	Si	-	-
	.147 (.373)	80		Si	-	-
	.187 (.475)	160		WS	-	-
	.294 (.747)	160		WS	-	-
3/4 (1.050)	.113 (.287)	40	4	Si	-	-
	.154 (.391)	80		Si	-	-
	.218 (.554)	160		WS	-	-
	.308 (.782)	DEH		WS	-	-
1 (1.315)	.133 (.338)	40	5 1/8	Si	Si	-
	.179 (.455)	80		Si	Si	-
	.250 (.635)	160		WS	WS	-
	.358 (.909)	DEH		-	WS	-
1 1/4 (1.660)	.140 (.356)	40	6 7/16	Si	Si	Si
	.191 (.485)	80		Si	Si	Si
	.250 (.635)	160		WS	WS	Si
	.342 (.869)	DEH		-	WS	WS
1 1/2 (1.900)	.145 (.368)	40	7 5/16	Si	Si	Si
	.200 (.508)	80		Si	Si	Si
	.281 (.714)	160		WS	WS	Si
	.400 (1,016)	DEH		-	WS	WS
2 (2.375)	.154 (.391)	40	8 5/16	Si	Si	Si
	.218 (.554)	80		Si	Si	Si
	.343 (.871)	160		-	WS	Si
2 1/2 (2.875)	.203 (.516)	40	9 1/2	-	Si	Si
	.276 (.701)	80		-	WS	Si
	.375 (.953)	160		-	WS	Si
3 (3.500)	.216 (.549)	40	11 1/4	-	Si	Si
	.300 (.762)	80		-	WS	Si
3 1/2 (4.000)	.226 (.574)	40	15 1/2	-	Si	Si
	.318 (.808)	80		-	WS	Si
4 (4.500)	.237 (.602)	40	17 3/4	-	Si	Si
	.337 (.856)	80		-	-	Si

*Gamma tubi: 40=standard; 80=extra pesante; 160=doppio extra pesante (solo tubi di acciaio dolce)
 DEH=doppio extra pesante (leggermente più spesso di 160);
 WS=può essere piegato spostando le scarpe porta perno nei fori per il tubo delle dimensioni successive.

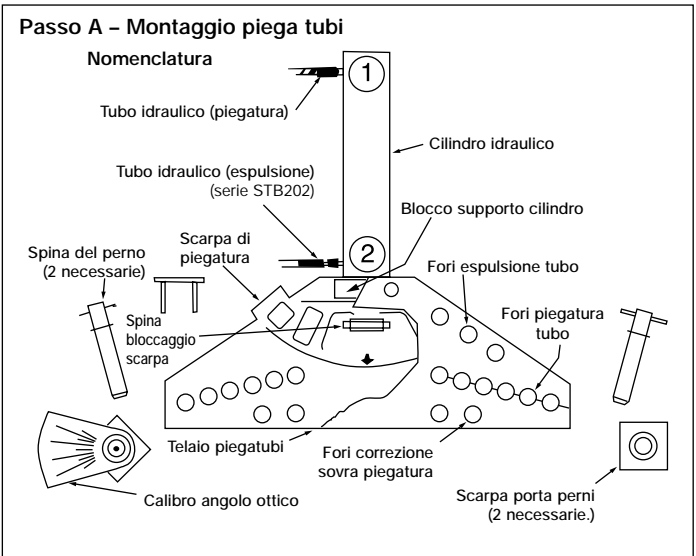


Figura 1, Montaggio piega tubi

5.0 PIEGATURA TUBO (VEDERE LE FIGURE 2 E 3)



IMPORTANTE: Prima d'iniziare una piega, assicurarsi che le spine dei perni passino attraverso la piastra di fondo del telaio e siano bloccate in posizione per dare un ancoraggio sicuro.

Quando si aziona la pompa, sia manuale sia elettrica, l'operatore dovrebbe mettersi di lato del cilindro. Non è raccomandabile che un piegatubi sia azionato da una posizione frontale.

In fase di piegatura, controllare l'angolo sul calibro fino a che si raggiunge l'angolo desiderato di piegatura. A causa del ritorno elastico del tubo, sarà necessario oltrepassare leggermente l'angolo desiderato.

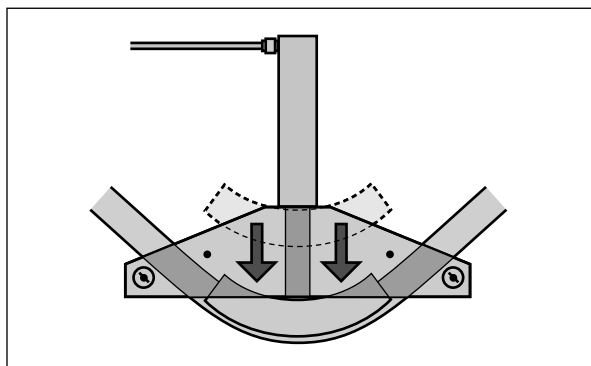


Figura 2

1. Posizionare il tubo nel telaio del piegatubi.
2. Fissare il calibro ottico dell'angolo in cima alla scarpa porta perni, come mostrato in Figura 3. Una spina di posizionamento sul calibro corrisponde ad un foro nella scarpa porta perni.
3. Montare l'altra scarpa porta perni. Entrambi le scarpe porta perni sono marcate per tubi di diverse dimensioni. Le marcature delle scarpe porta perni devono corrispondere alle dimensioni del tubo che deve essere piegato e stare di fronte al tubo.
4. Il calibro dovrebbe dare ora la lettura zero quando si legge lungo la linea incisa sul telaio del piega tubi.
5. Bloccare in posizione entrambi le scarpe porta perni con il pulsante che spinge le spine dei perni. La spina di un perno è azionata spingendo giù il pulsante con il pollice mentre si afferra la maniglia trasversale. Accertarsi che le spine dei perni siano inserite attraverso i fori marcati con le dimensioni corrispondenti del tubo.
6. Azionare la valvola della pompa come mostrato e procedere alla piegatura. Se si tratta di modello elettrico a pulsante, spingere il pulsante "advance" (solo per le pompe della serie STB-202).

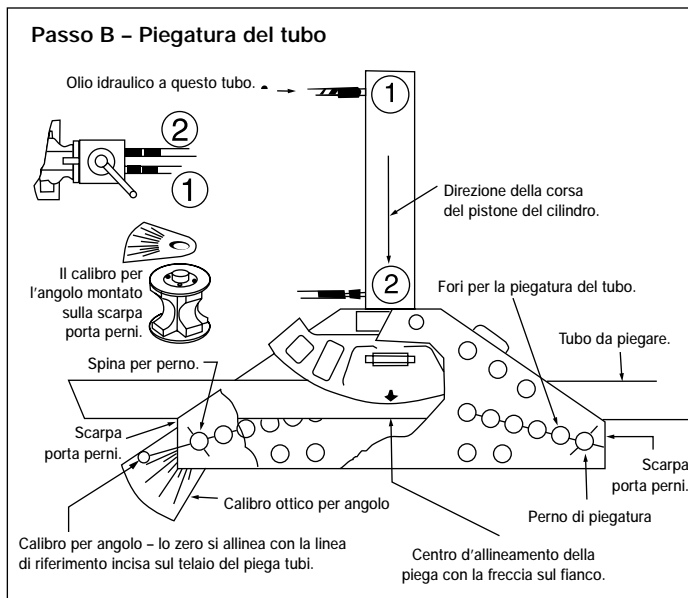


Figura 3, Piegatura del tubo

6.0 RIMOZIONE DEL TUBO

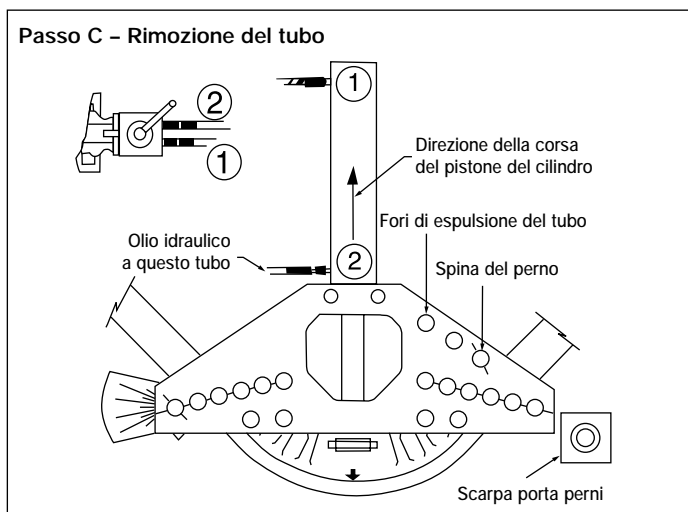


Figura 4, Rimozione del tubo

6.1 Rimozione del tubo serie STB-202

1. Fare rientrare leggermente il pistone del cilindro in direzione opposta della corsa di piegatura verso l'esterno. Questo toglierà via la pressione dalle scarpe porta perni e dalle spine. Se si tratta di un modello elettrico a pulsante, fare avanzare a scatti con il pulsante.
2. Togliere almeno una, se non tutt'e due le scarpe porta perni e riposizionare una spina per perno nel foro corretto di eiezione corrispondente delle giuste dimensioni. dove la spina tratterrà il tubo, ma non la scarpa, quando si ritirano. I telai da quattro pollici e una corsa hanno due fori di espulsione. Usare entrambi i fori. .
3. Ora fare arretrare completamente il pistone del cilindro. La scarpa di piegatura ed il tubo si ritirano assieme fino a che il tubo incontra la spina del perno. Al momento del contratto il tubo si separa dalla scarpa
4. Asportare l'alta spina per perno e la scarpa porta perni per estrarre il tubo dal piega tubi.

6.2 Rimozione del tubo nella serie STB-101/221

1. Far arretrare il cilindro completamente mandando la pompa in scarico azionando la valvola, prima di togliere il tubo dalla scarpa di piegatura.
2. Asportare una o entrambi le scarpe di piegatura.
3. Dare leggeri colpi di martello al tubo per farlo uscire dalla scarpa di piegatura.

7.0 ISTRUZIONI PER TRONCHETTI A 90° UNA CORSA

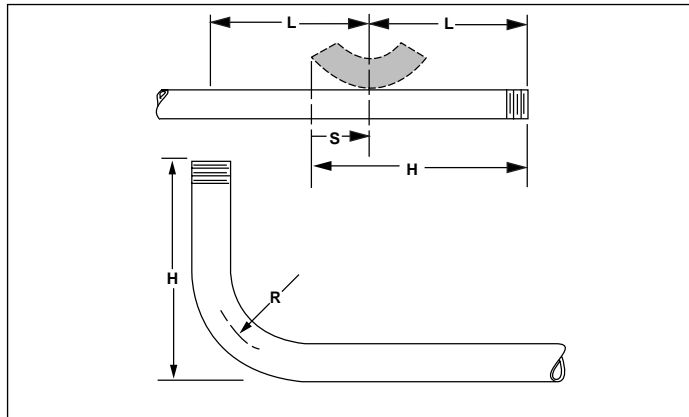


Figura 5

PIEGA TUBI

7.1 Istruzioni per per la piegatura di tronchetti

1. Marcare la dimensione (H) desiderata sul tratto diritto del tubo (vedere la figura 5).
2. Trovare la dimensione del tubo che state piegando nella Tabella 1 ed ottenere l'arretramento (S).
3. Misurare la dimensione posteriore (sottrarre (S) e marcare il tubo).



La marcatura (S) non può essere più vicina alle estremità del tubo della distanza minima (L), mostrata nella Tabella 1, oppure le estremità non saranno supportate nelle scarpe porta perni.

4. Porre il tubo nel piegatubi in modo che la marcatura si allinei con la freccia sulla scarpa di piegatura. Procedere alla piegatura, leggendo l'angolo desiderato sul calibro ottico dell'angolo.

7.2 Istruzioni per piegatubi a spinta

Tabella 1, Tronchetto a 90°			
Tubo nominale Size pol (cm)	Arretramento (S) pol (cm)	Raggio asse (R) pol (cm)	Lunghezza min. (L) di tubo necessaria ad ogni estremità dalla marcatura di piegatura pol (cm)
1/2 (1,27)	1 1/8 (2,856)	3 1/4 (8,255)	7 1/2 (19,05)
3/4 (1,905)	1 1/2 (3,81)	4 1/2 (11,43)	8 3/4 (22,225)
1 (2,54)	1 7/8 (4,763)	5 3/4 (14,605)	10 1/4 (26,035)
1 1/4 (3,175)	2 3/8 (6,033)	7 1/4 (18,415)	12 (30,48)
1 1/2 (3,81)	2 3/8 (6,033)	8 1/4 (20,955)	13 1/4 (33,655)
2 (5,08)	3 1/4 (8,255)	9 1/2 (24,13)	15 (38,1)
2 1/2 (6,35)	3 1/16 (78,90)	10 1/2 (26,67)	18 (45,72)
3 (7,62)	4 1/2 (11,43)	13 (33,02)	20 (50,8)
3 1/2 (8,89)	5 3/16 (13,176)	15 (38,1)	26 1/2 (67,31)
4 (10,16)	6 1/2 (16,51)	20 (50,8)	27 (68,58)

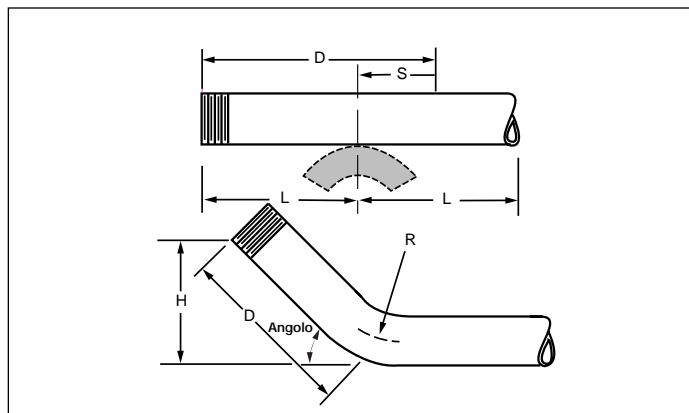


Figura 6

1. Dalla Tabella 2, trovare la distanza diagonale (D) che corrisponda alla dimensione (H) di piegatura verso l'alto. Marcare la distanza (D) dall'estremità di un tratto diritto di tubo.
2. Trovare le dimensioni del tubo nella Tabella 3 per ottenere la misura dell'arretramento (S) con l'angolo di piegatura desiderato.
3. Marcare la misura (S) sul tubo come illustrato in Figura 6.



La marcatura (S) non può essere più vicina alle estremità del tubo della distanza minima (L) mostrata nella Tabella 3 oppure le estremità non saranno supportate sulle scarpe porta perni.

4. Porre il tubo nel piega tubi in modo tale che la marcatura si allinei con la freccia sulla scarpa di piegatura. Procedere alla piegatura, leggendo l'angolo desiderato sul calibro ottico dell'angolo.

Tabella 2, Distanza diagonale (D)				
Rialzo (H) pol (cm)	Angolo di piegatura			
	15°	30°	45°	60°
2 (5,08)	7 3/4	4	2 13/16	2 5/16
4 (10,16)	15 7/16	8	5 11/16	4 5/8
6 (15,24)	23 3/16	12	8 1/2	6 15/16
8 (20,32)	30 15/16	16	11 5/16	9 1/4
10 (25,4)	38 5/8	20	14 1/8	11 9/16
12 (30,48)	46 3/8	24	17	13 7/8
14 (35,56)	54 1/16	28	19 13/16	16 3/16
16 (40,64)	61 13/16	32	22 5/8	18 1/2
18 (45,720)	69 9/16	36	25 7/16	20 13/16
20 (50,8)	77 1/4	40	28 5/16	23 1/8
22 (55,88)	85	44	31 1/8	25 3/8
24 (60,96)	92 3/4	48	33 15/16	27 13/16

Tabella 3, Piegatura a spinta						
Nominale Tubo Dimensioni pol (cm)	(S) Misura d'arretramento (pollici)				(R) *	(L) **
	Piegatori a curvatura		Piegatori a una corsa			
	15°	30°	45°	60°		
1/2	—	1/8	1/4	7/16	3 1/4	7 1/2
3/4 (1,905)	1/16	3/16	5/16	9/16	4 1/2	8 3/4
1 (2,54)	1/16	1/4	7/16	3/4	5 3/4	10 1/4
1 1/4 (3,175)	1/8	1/4	1/2	7/8	7 1/4	11 1/2
1 1/2 (3,81)	1/8	5/16	5/8	1	8 1/4	13 1/4
2 (5,08)	3/16	3/8	11/16	1 3/16	9 1/2	15
2 1/2 (6,35)	3/16	7/16	13/16	13/8	10 1/2	16 3/4
3 (7,62)	1/4	9/16	1	11 1/16	13	18 1/2
3 1/2 (8,89)	1/4	5/8	1 1/8	11 5/16	17 1/2	22 1/4
4 (10,16)	5/16	3/4	1 3/8	2 1/2	20	24 1/4

* (R) raggio dell'asse (pollici)
** (L) Lunghezza minima di tubo richiesto ad ogni estremità della marcatura di piegatura (pollici)

Tabella 4, Tabella spostamenti per piega tubi a curvatura e ad una corsa			
	Spostamento Richiesta (H) pol (cm)	(B) pol (cm)	Massimo Dimensione tubo pol (cm)
Piegatura a 15°	2 (5,08)	7 11/16 (19,526)	3/4 (1,905)
	4 (10,16)	15 7/8 (40,323)	1 1/2 (3,81)
	6 (15,24)	23 3/16 (58,896)	3 1/2 (8,89)
	8 (20,32)	30 7/8 (78,423)	4 (10,16)
	10 (25,4)	35 5/8 (90,488)	4 (10,16)
Piegatura a 30°	2 (5,08)	—	—
	4 (10,16)	7 7/8 (20,003)	3/4 (1,905)
	6 (15,24)	11 7/8 (30,163)	1 (2,54)
	8 (20,32)	15 7/8 (40,323)	1 1/2 (3,81)
	10 (25,4)	19 7/8 (50,483)	2 (5,08)
	12 (30,48)	23 7/8 (60,643)	2 1/2 (6,35)
	14 (35,56)	27 7/8 (70,803)	3 1/2 (8,89)
	16 (40,64)	31 7/8 (80,963)	4 (10,16)
Piegatura a 45°	18 (45,72)	35 7/8 (91,123)	4 (10,16)
	6 (15,24)	8 5/16 (21,114)	1/2 (3,81)
	8 (20,32)	11 1/8 (28,258)	1 (2,54)
	10 (25,4)	13 7/8 (35,243)	1 1/4 (3,175)
	12 (30,48)	16 11/16 (42,386)	1 1/2 (3,81)
	14 (35,56)	19 1/2 (49,53)	2 (5,08)
	16 (40,64)	22 3/8 (56,833)	2 1/2 (6,35)
	18 (45,72)	25 3/16 (63,976)	3 (7,62)
	20 (50,8)	28 (71,12)	3 1/2 (8,89)
	22 (55,88)	30 7/8 (78,423)	4 (10,16)
Piegatura a 60°	6 (15,24)	—	—
	8 (20,32)	8 3/4 (22,225)	1/2 (3,81)
	10 (25,4)	10 13/16 (27,464)	1 (2,54)
	12 (30,48)	12 7/8 (32,478)	1 1/4 (3,175)
	14 (35,56)	15 1/8 (38,418)	1 1/2 (3,81)
	16 (40,64)	17 3/8 (44,133)	2 (5,08)
	18 (45,72)	18 1/2 (46,99)	2 1/2 (6,35)
	20 (50,8)	21 1/2 (54,61)	3 (7,62)
	22 (55,88)	23 5/8 (60,008)	3 1/2 (8,89)

7.3 Istruzioni per piegatura sfalsata

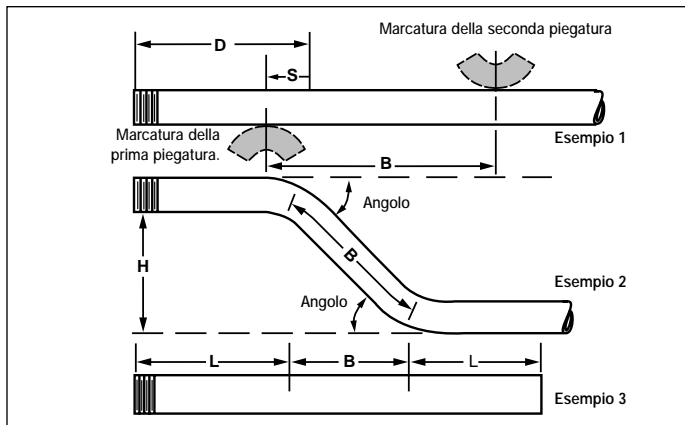


Figura 7

- Determinare l'angolo desiderato per la piegatura sfalsata. Trovare e marcare la prima piegatura alla distanza (D) meno (S) dall'estremità del tubo, seguendo la sezione 7.2, "Istruzioni per piegatura a curvatura", Nr. 2 e 3.
- Trovare la dimensione (B) dalla Tabella degli spostamenti (offset) 4, usando lo stesso angolo di piegatura usato per trovare la posizione della prima marcatura. NOTA: per qualsiasi spostamento richiesto (H), sono date le dimensioni massime del tubo che può essere piegato con gli angoli dati.
- Marcare la misura della seconda piegatura (B) sul tubo come illustrato (Figura 7, Esempio 1).



Le marcature (B) non possono essere più vicine alle estremità della distanza (L) oppure le estremità non saranno supportate sulle scarpe porta perni (vedere la Figura 6, Esempio 3 e "Tabella 5 richiesta L").

- Porre il tubo nel piegatubi, allineando la marcatura della prima piegatura con la freccia sulla scarpa di piegatura. Procedere alla piegatura, leggendo l'angolo desiderato sul calibro ottico per l'angolo.
- Ruotare il tubo di 180° ed allineare la marcatura della seconda piegatura con la freccia sulla scarpa di piegatura. Procedere ad effettuare la seconda piegatura, leggendo l'angolo sul calibro ottico per l'angolo.

Tabella 5, "Tabella L" richieste	
Dimensioni tubo	(L) *
1/2" (1,27)	7 1/2
3/4" (1,905)	8 3/4
1" (2,54)	10 1/4
1 1/4" (3,175)	11 1/2
1 1/2" (3,81)	13 1/4
2" (5,08)	15
2 1/2" (6,35)	16 3/4
3" (7,62)	18 1/2
3 1/2" (8,89)	22 1/4
4" (10,16)	24 1/4

(L) = Lunghezza min. di tubo richiesta ad ogni estremità della dimensione (B)

8.0 PIEGATURA A CURVATURA DI 90° (DA 2 1/2" FINO A 4" SOLTANTO)

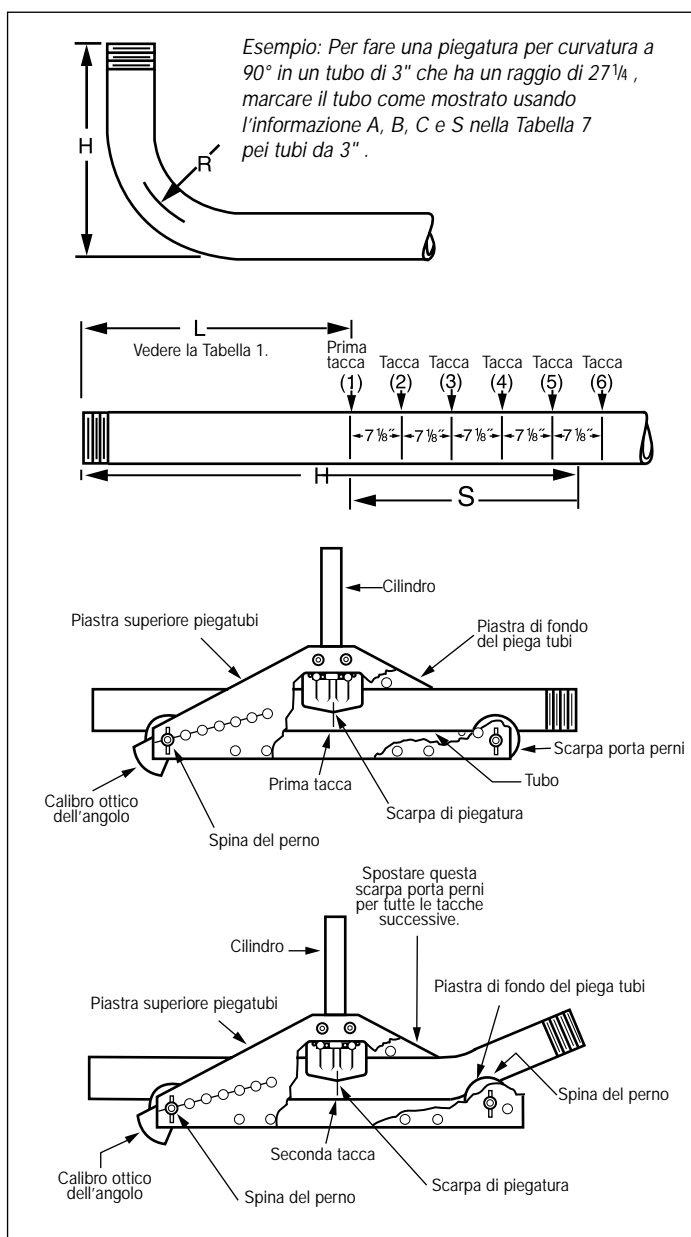


Figura 8, Piegatura per curvatura a 90°

8.1 Scarpe di curvatura in funzionamento per piegatura in una corsa

1. Marcare la dimensione (H) desiderata per il tronchetto sul tratto dritto del tubo (vedere la Figura 8).
2. Trovare la dimensione del tubo che dovete piegare nella Tabella 6. Selezionare il raggio di curvatura desiderato per trovare la dimensione (S) di arretramento.
3. Misurare la dimensione posteriore (dedurre (S) e marcare il tubo).
4. Marcare il numero previsto di tacche (colonna A) alle distanze date nella colonna B.
5. Porre le scarpe porta perni nel foro corrispondente alle dimensioni del tubo segnate sul telaio. Fare la prima piegatura secondo i gradi dell'angolo mostrato nella colonna C.

NOTA: Può essere consigliabile piegare un poco in eccesso in corrispondenza della tacca per compensare il ritorno elastico accumulato.

6. Effettuare tutte le piegature successive spostando la scarpa porta perni (senza il calibro ottico per l'angolo) fino ad un foro che mantenga il tubo parallelo allo spigolo del telaio di piegatura mentre si usa lo stesso angolo di piegatura.

Per le spinte e gli spostamenti a 15° e 30° usando un piega tubi a curvatura, vedere le Tabelle 3, 4 e 5.

Tabella 6

Trubo Ø pol (cm)	Asse del tubo Raggio (R) pol (cm)	(S) Arretramento pol (cm)	(A) Nr. di Tacche (90°)	(B) Distanza tra le tacche pol (cm)	(C) Gradi per tacca
2 1/2" (6,35)	10 1/2" (26,67)	9 3/16 (23,336)	3	5 1/2 (13,97)	30°
	14 1/2 (36,83)	13 3/32 (33,258)	4	5 3/4 (14,605)	22°
	18 1/2 (46,99)	17 1/32 (43,260)	5	5 3/4 (14,605)	18°
	22 1/2 (57,15)	21 (53,34)	6	5 7/8 (14,923)	15°
	26 1/2 (67,31)	25 11/32 (64,373)	8	5 1/4 (13,335)	11°
3" (7,62)	13" (33,02)	11 3/8 (28,893)	3	6 3/4 (17,145)	30°
	17 3/4 (45,085)	16 1/64 (40,680)	4	7 (17,78)	22°
	22 1/2 (57,15)	20 3/4 (52,705)	5	7 (17,78)	18°
	27 1/4 (69,215)	25 7/16 (64,611)	6	7 1/8 (18,098)	15°
	32 (81,28)	30 5/32 (76,597)	7	7 1/8 (18,098)	13°
3 1/2" (8,89)	17 1/2" (44,45)	14 15/16 (37,941)	3	9 1/4 (23,495)	30°
	22 7/8 (58,103)	20 3/8 (51,753)	4	9 (22,86)	22°
	28 1/4 (71,755)	25 13/16 (65,564)	5	8 7/8 (22,543)	18°
	33 5/8 (85,408)	31 1/4 (79,375)	6	8 3/4 (22,225)	15°
	39 (99,06)	36 5/8 (93,028)	7	8 1/4 (20,955)	13°
4" (10,16)	20" (50,8)	17 1/64 (43,220)	3	10 1/2 (26,67)	30°
	26 (66,04)	23 1/64 (58,460)	4	10 1/4 (26,035)	22°
	32 (81,28)	29 1/4 (74,295)	5	10 (25,4)	18°
	38 (96,52)	35 9/32 (89,614)	6	10 (25,4)	15°
	44 (111,76)	41 5/16 (41,312)	7	9 7/8 (25,083)	13°

* Questi raggi corrispondono a piegature a 90° una corsa.

9.0 ISTRUZIONI PER CURVATURE CONCENTRICHE

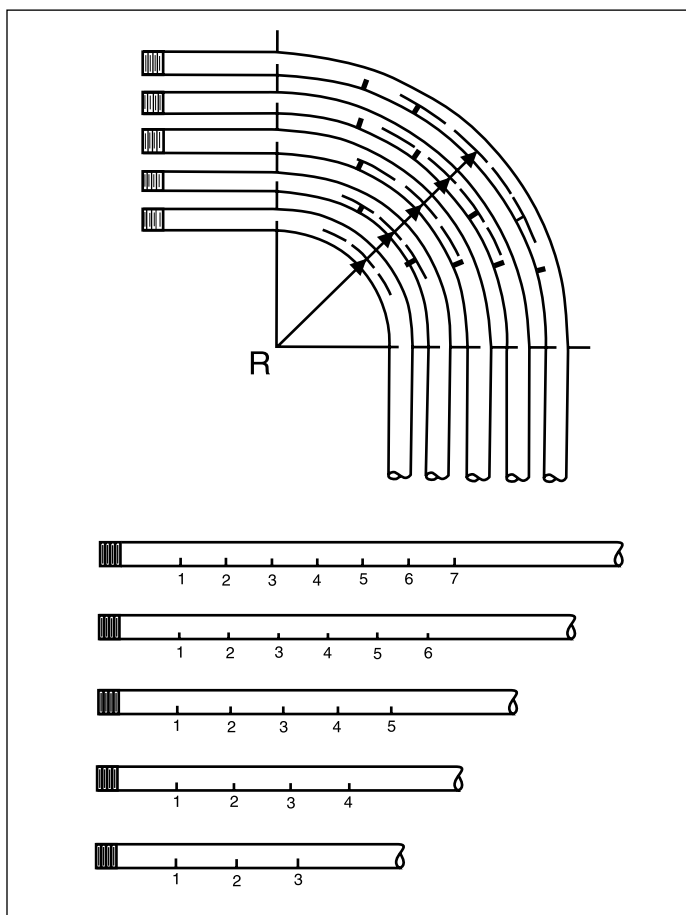


Figura 9

9.1 Istruzioni piega tubi con curvatura a segmenti.

1. Per le curvature concentriche, determinare il primo raggio.
2. Trovare le dimensioni del tubo che state piegando nella Tabella 7. Eseguire la piegatura del raggio più piccolo per prima usando le istruzioni per la piegatura con curvatura a 90° , vedere la sezione 8.0.
3. Eseguire tutte le altre piegature successive concentriche nella stessa maniera, notando ogni raggio successivo e le specifiche corrispondenti A, B, and C.

9.2 Piegature con altri raggi

Per sviluppare le vostre proprie specifiche per raggi diversi da quelli mostrati nelle tabelle, usare la formula seguente:

1. Determinare il numero di tacche che desiderate fare – approssimativamente dalla Tabella 6.
2. Dividere il numero totale di gradi dell'angolo di piegatura richiesto per il numero di tacche. Questo vi darà il numero di gradi per tacca che dovete fare. (Il maggior numero di gradi di piegatura con le scarpe di curvatura ENERPAC in una corsa è di 30°).
3. Moltiplicare il raggio di curvatura per 0,18 ed il numero di gradi per tacca a partire dal passo 2 ($R \times 0,18 \times \text{gradi per tacca}$). Questo darà la distanza necessaria tra due tacche consecutive.
4. Procedere alla piegatura seguendo le istruzioni precedenti.

L2524 Rev. O 11/02

Las hojas de despiece para este producto están disponibles en la página web de Enerpac en la dirección www.enerpac.com, o en su centro de Asistencia Técnica o punto de venta Enerpac más cercano.

1.0 IMPORTANTES INSTRUCCIONES DE RECEPCIÓN

Inspeccione visualmente todos los componentes para verificar si hay daños de envío. Debido a que la garantía **no** ampara daños por envío, si los hubiese, infórmeles inmediatamente a la empresa de transportes, puesto que ésta es responsable de todos los gastos de reparaciones o reemplazo que resulten por daños de envío.

SEGURIDAD PRIMERO

2.0 ASPECTOS DE SEGURIDAD



Lea todas las instrucciones, advertencias y precauciones. Acate todas las precauciones de seguridad para evitar lesiones personales o daños a la propiedad durante la operación del sistema. ENERPAC no puede ser responsable de daños o lesiones que resulten de no usar el producto de forma segura, falta de mantenimiento o aplicación incorrecta del producto y/u operación del sistema. Comuníquese con ENERPAC si tuviese dudas sobre las precauciones de seguridad o sobre las aplicaciones. Si nunca ha sido capacitado en seguridad hidráulica de alta presión, consulte a su distribuidor o centro de servicio para obtener un curso de seguridad gratis denominado ENERPAC Hydraulic.

El no cumplir con las siguientes precauciones y advertencias podría causar daños al equipo y lesiones personales.

Una **PRECAUCIÓN** se utiliza para indicar procedimientos y prácticas de operación o mantenimiento correctos para evitar daños o la destrucción de equipo u otra propiedad.

Una **ADVERTENCIA** indica un potencial peligro que requiere de procedimientos o prácticas correctos para evitar lesiones personales.

Un **PELIGRO** se utiliza sólo cuando su acción o falta de acción podría causar lesiones graves o incluso la muerte.



ADVERTENCIA: Use el equipo de protección personal adecuado cuando opere equipo hidráulico.



ADVERTENCIA: Manténgase alejado de las cargas soportadas por sistemas hidráulicos. Cuando un cilindro se utiliza como dispositivo para levantar carga, nunca debería usarse como dispositivo para sostener carga. Después de que la carga haya sido levantada o descendida, debe bloquearse siempre en forma mecánica.



ADVERTENCIA: USE SÓLO PIEZAS RÍGIDAS PARA SOSTENER CARGAS. Seleccione cuidadosamente bloques de acero o de madera capaces de soportar la carga. Nunca use un cilindro hidráulico como calza o separador en aplicaciones de levantamiento o presión.



PELIGRO: Para evitar lesiones personales, mantenga las manos y los pies alejados del cilindro y pieza de trabajo durante la operación.



ADVERTENCIA: No sobrepase el valor nominal del equipo. Nunca intente levantar una carga que pese más de la capacidad del cilindro. Las sobrecargas ocasionan fallas del equipo y posibles lesiones personales. Los cilindros están diseñados para resistir una presión máxima de 700 bar. No conecte un gato o cilindro a una bomba cuyo valor nominal de presión es mayor que el indicado.



Nunca fije la válvula de seguridad a una presión más alta que el máximo valor nominal de presión de la bomba. Los ajustes más altos pueden resultar en daños al equipo y/o lesiones personales.



ADVERTENCIA: La presión de operación del sistema no debe sobrepasar el valor nominal de presión del componente con el valor nominal más bajo en el sistema. Instale manómetros de presión en el sistema para vigilar la presión de operación. Es su ventana a lo que está sucediendo en el sistema.



PRECAUCIÓN: Evite dañar la manguera hidráulica. Evite pliegues y curvas agudas al guiar las mangueras hidráulicas. Usar una manguera con pliegues o curvas puede causar severa contrapresión. Los pliegues y curvas agudas causarán daños internos a la manguera, lo que ocasionará que ésta falle prematuramente.



No deje caer objetos pesados sobre la manguera. Un impacto directo puede causar daños internos a las hebras de alambre de la manguera. Aplicar presión a una manguera dañada puede ocasionar que se quiebre.



IMPORTANTE: No levante el equipo hidráulico por las mangueras o acopladores giratorios. Use el mango de transporte u otros medios para transportarla con seguridad.



PRECAUCIÓN: Mantenga el equipo hidráulico alejado de las llamas y el calor. El calor en exceso ablandará las juntas y sellos, lo que resultará en fugas de líquidos. Asimismo, el calor debilita los materiales de

la manguera y juntas. Para lograr un rendimiento óptimo, no exponga el equipo a temperaturas de 65°C [150°F] o mayores. Proteja las mangueras y cilindros de salpicaduras de soldadura.

PELIGRO: No manipule mangueras bajo presión. El aceite que escape bajo presión puede penetrar la piel y causar lesiones graves. Si se inyecta aceite bajo la piel, consulte a un médico inmediatamente.

ADVERTENCIA: Use cilindros hidráulicos únicamente en sistemas acoplados. Nunca use un cilindro si los acopladores no están conectados. Si el cilindro se sobrecarga, los componentes pueden fallar calamitosamente, lo que causaría lesiones personales graves.

ADVERTENCIA: Asegurese que el equipo sea antes de levantar la carga. El cilindro debe colocarse sobre una superficie plana capaz de soportar la carga. De ser necesario, utilice una base de cilindro para mayor estabilidad. No suelde ni modifique el cilindro en modo alguno para fijarle una base u otro medio de soporte.

Evite las situaciones en las cuales las cargas no estén directamente centradas sobre el émbolo del cilindro. Las cargas descentradas producen un esfuerzo considerable sobre los cilindros y los émbolos. Además, la carga podría resbalar o caerse, creando situaciones potencialmente peligrosas.

Distribuya la carga uniformemente sobre la superficie total del asiento del cilindro. Siempre utilice un asiento para proteger el émbolo cuando no se usen accesorios roscados.

IMPORTANTE: Únicamente técnicos calificados en sistemas hidráulicos habrán de prestarle servicio al equipo hidráulico. Comuníquese con el Centro de Servicio ENERPAC autorizado en su zona para prestarle servicio de reparaciones. Use únicamente aceite ENERPAC a fin de proteger su garantía.

ADVERTENCIA: Reemplace inmediatamente las piezas gastadas o dañadas por piezas ENERPAC genuinas. Las piezas de clasificación estándar se romperán, lo que causará lesiones personales y daños a la propiedad. Las piezas ENERPAC están diseñadas para encajar debidamente y resistir altas cargas.

3.0 ESPECIFICACIONES (VER TABLA DE ESPECIFICACIONES)

4.0 MONTAJE DEL CURVATUBOS (VER LA FIGURA 1)

1. Coloque el cilindro hidráulico en el bloque de apoyo de cilindros en el marco de curvar.
2. Ponga la manguera(s) en la válvula de la bomba. Conecte la manguera (1) al puerto del cilindro (1); la manguera (2) al puerto del cilindro (2). **NOTA:** la manguera (2) se utiliza exclusivamente con curvatubos de la serie STB-202.
3. Seleccione la zapata de curvar para el tubo que se va a curvar. Cada zapata está marcada para un tamaño y tiene una flecha que indica el punto central de la curvatura a realizar.
4. Inserte y asegure la zapata de curvar seleccionada en el pistón del cilindro con el perno de cierre en forma de U.

Tabla de especificaciones

Tamaño nominal del tubo (ø exterior) plug (cm)	Grosor de la pared plug (cm)	Tubo programado	Radio de curvatura del tubo plug (cm)	STB-101 1/2-2 Un paso	STB-101 1-2 Un paso 2 1/2-4 Curva	STB-101 1 1/4-4 Un paso
1/2 (.840)	.109 (.277)	40	2 7/8 (7,303)	Sí	-	-
	.147 (.373)	80		Sí	-	-
	.187 (.475)	160		WS	-	-
	.294 (.747)	160		WS	-	-
3/4 (1.050)	.113 (.287)	40	4 (10,16)	Sí	-	-
	.154 (.391)	80		Sí	-	-
	.218 (.554)	160		WS	-	-
	.308 (.782)	DEH		WS	-	-
1 (1.315)	.133 (.338)	40	5 1/8	Sí	Sí	-
	.179 (.455)	80		Sí	Sí	-
	.250 (.635)	160		WS	WS	-
	.358 (.909)	DEH		-	WS	-
1 1/4 (1.660)	.140 (.356)	40	6 7/16	Sí	Sí	Sí
	.191 (.485)	80		Sí	Sí	Sí
	.250 (.635)	160		WS	WS	Sí
	.342 (.869)	DEH		-	WS	WS
1 1/2 (1.900)	.145 (.368)	40	7 5/16	Sí	Sí	Sí
	.200 (.508)	80		Sí	Sí	Sí
	.281 (.714)	160		WS	WS	Sí
	.400 (1,016)	DEH		-	WS	WS
2 (2.375)	.154 (.391)	40	8 5/16	Sí	Sí	Sí
	.218 (.554)	80		Sí	Sí	Sí
	.343 (.871)	160		-	WS	Sí
2 1/2 (2.875)	.203 (.516)	40	9 1/2	-	Sí	Sí
	.276 (.701)	80		-	WS	Sí
	.375 (.953)	160		-	WS	Sí
3 (3.500)	.216 (.549)	40	11 1/4	-	Sí	Sí
	.300 (.762)	80		-	WS	Sí
3 1/2 (4.000)	.226 (.574)	40	15 1/2	-	Sí	Sí
	.318 (.808)	80		-	WS	Sí
4 (4.500)	.237 (.602)	40	17 3/4	-	Sí	Sí
	.337 (.856)	80		-	-	Sí

*Tubo programado: 40= estándar; 80=extra pesado; 160=doble extra pesado (sólo tubos de acero dulce)

DEH= doble extra pesado (ligeramente más grueso de 160);

WS=se puede curvar moviendo las zapatas de pivote a los agujeros para el siguiente tamaño mayor de tubo.

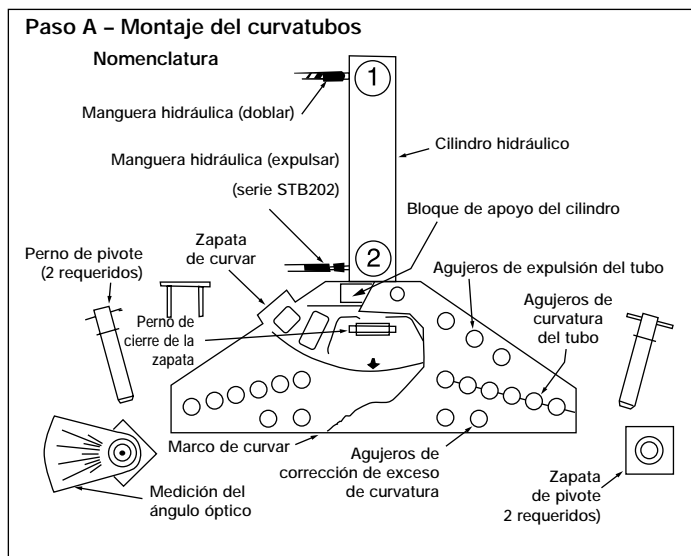


Figura 1, Montaje del curvatubos

5.0 CURVATURA DEL TUBO (VER LAS FIGURA 2 Y 3)



IMPORTANTE: Antes de comenzar a curvar, asegúrese de que los pernos de pivote están fijados a la placa marco inferior y colocados en posición de sujetar correctamente.

Al activar la bomba, sea manual o eléctrica, el operador debería colocarse en el lado del cilindro. No se recomienda operar ningún curvatubos desde una posición frontal.

A medida que se genera la curvatura, vigile la medición del ángulo óptico hasta alcanzar el ángulo deseado de curvatura. Debido a la recuperación elástica del tubo después de ser curvado, será necesario ir un poco más allá del ángulo deseado.

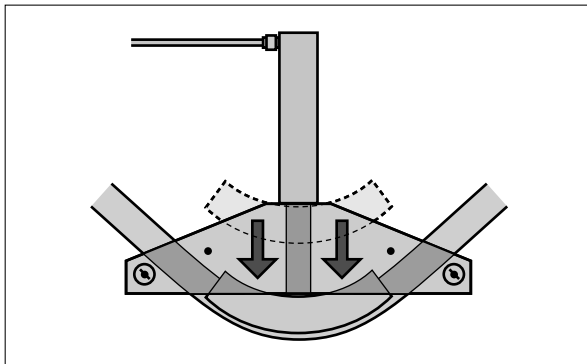


Figura 2

1. Coloque el tubo en el marco de curvar.
2. Coloque el calibrador angular óptico en la parte superior de la zapata de pivote, tal y como se muestra en la FIGURA 3. Un perno de localización en el calibrador angular se acopla con un agujero en la zapata de pivote.
3. Monte la otra zapata de pivote. Ambas zapatas de pivote están marcadas para varios tamaños de tubo. Las marcas en las zapatas de pivote deben corresponder al tamaño del tubo que se va a curvar y estar orientadas hacia el tubo.
4. El calibrador angular debería dar ahora la lectura cero cuando se lee la línea que aparece en el marco del curvatubos.
5. Cierre ambas zapatas de pivote en posición con los botones de los pernos de pivote. El perno de pivote se opera presionando el botón con el pulgar mientras se agarra la manivela de trépano. Asegúrese de que los pernos de pivote queden completamente insertados en los agujeros correspondientes al tamaño marcado del tubo.
6. Gire la válvula de la bomba tal y como se indica para una válvula manual y proceda a curvar. Si tiene el modelo de botones eléctricos, presione el botón "avance" (Curvatubos de la serie STB-202 únicamente).

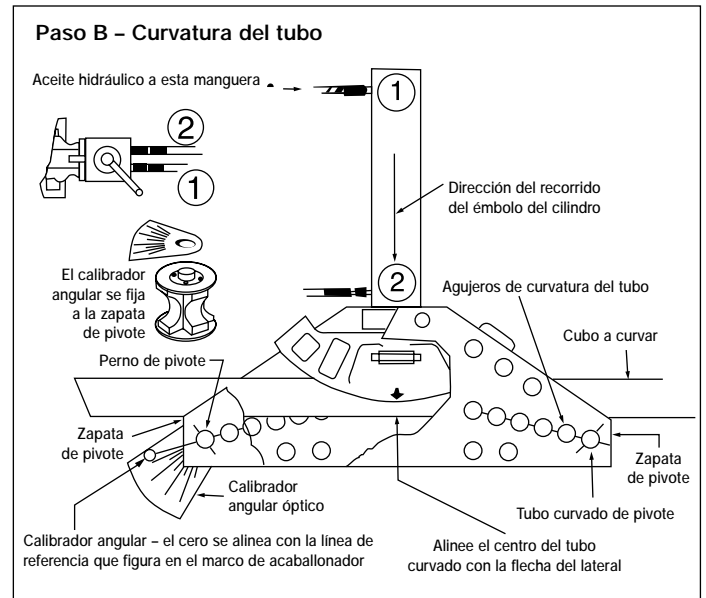


Figura 3, Curvatura del tubo

6.0 RETIRADA DEL TUBO

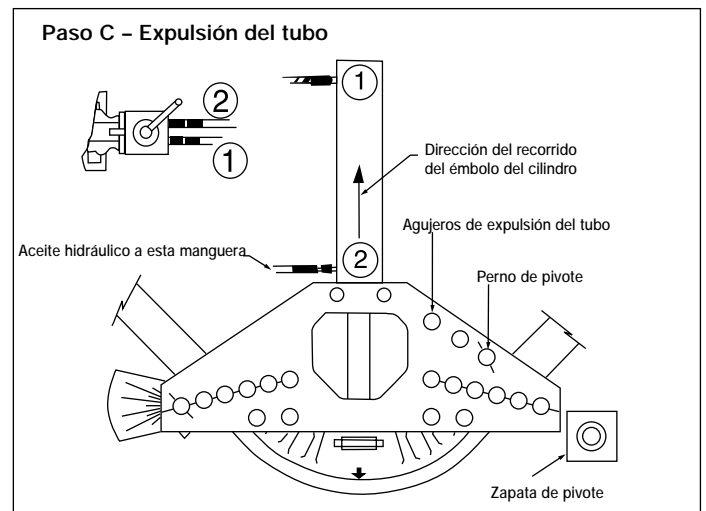


Figura 4, Expulsión del tubo

6.1 Expulsión del tubo de la serie STB-202

1. Retraiga el émbolo del cilindro ligeramente girando la válvula de la bomba en la dirección contraria al golpe de curvatura exterior retirando. Esto eliminará la presión de las zapatas de pivote y pernos. Si tiene el modelo de botones eléctricos, presione el botón de retraída.
2. Retire una o ambas zapatas de pivote y vuelva a colocar un perno de pivote en el "agujero de expulsión" adecuado al tamaño del tubo donde el perno sujetará el tubo, no la zapata, cuando se retraigan. Los marcos de un paso de cuatro pulgadas tiene dos agujeros de expulsión. Utilice ambos agujeros.
3. Retraiga ahora por completo el émbolo del cilindro. La zapata de curvar y el tubo se retraerán a la vez hasta que el tubo llegue al perno de pivote. Cuando hagan contacto, el tubo se saldrá de la zapata.
4. Retire otro perno de pivote y zapata de pivote para sacar el tubo del curvatubos.

6.2 Expulsión del tubo de la serie STB-101/221

1. Retraiga el cilindro completamente girando la válvula de la bomba en la dirección contraria al golpe de curvatura exterior retirando el tubo de la zapata de curvar.
2. Retire una o ambas zapatas de pivote.
3. Saque el tubo de la zapata de curvar con un martillo.

7.0 INSTRUCCIONES PARA UN ÚNICO PASO DE EXTRACCIÓN A 90°

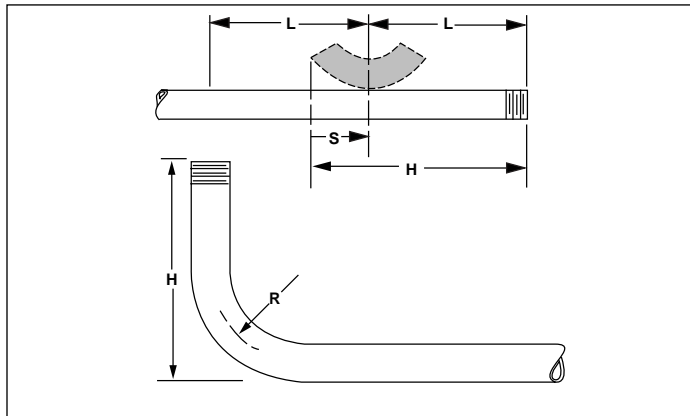



Figura 5

CURVATUBOS

7.1 Instrucciones de curvatura de extracción

1. Marque la dimensión deseada de giro (**H**) en la longitud recta del tubo (vea la FIGURA 5).
2. Localice el tamaño del tubo que va a curvar en la tabla 1 y obtenga la dimensión de retroceso (**S**).
3. Mida la dimensión posterior (deduzca (**S**) y marque el tubo).

 La marca (**S**) no puede estar más cerca de los extremos del tubo de la distancia mínima (**L**) que se muestra en la tabla 1 o los extremos no quedarán sujetos por las zapatas de pivote.

4. Coloque el tubo en el curvatubos de tal manera que la marca quede alineada con la flecha situada en la zapata de curvar. Proceda a curvar leyendo el ángulo deseado en el calibrador angular óptico.

Tubo nominal Tamaño plug (cm)	Retroceso (S) plug (cm)	Radio de la línea central (R) plug (cm)	Longitud mínima (L) de tubo requerida en cada extremo de la marca de curvatura plug (cm)
1/2 (1,27)	1 1/8 (2,856)	3 1/4 (8,255)	7 1/2 (19,05)
3/4 (1,95)	1 1/2 (3,81)	4 1/2 (11,43)	8 3/4 (22,225)
1 (2,54)	1 7/8 (4,763)	5 3/4 (14,605)	10 1/4 (26,035)
1 1/4 (3,175)	2 3/8 (6,033)	7 1/4 (18,415)	12 (30,48)
1 1/2 (3,81)	2 3/8 (6,033)	8 1/4 (20,955)	13 1/4 (33,655)
2 (5,08)	3 1/4 (8,255)	9 1/2 (24,13)	15 (38,1)
2 1/2 (6,35)	3 1/16 (78,90)	10 1/2 (26,67)	18 (45,72)
3 (7,62)	4 1/2 (11,43)	13 (33,02)	20 (50,8)
3 1/2 (8,89)	5 3/16 (13,176)	15 (38,1)	26 1/2 (67,31)
4 (10,16)	6 1/2 (16,51)	20 (50,8)	27 (68,58)

7.2 Instrucciones para curvatubos por impulsos

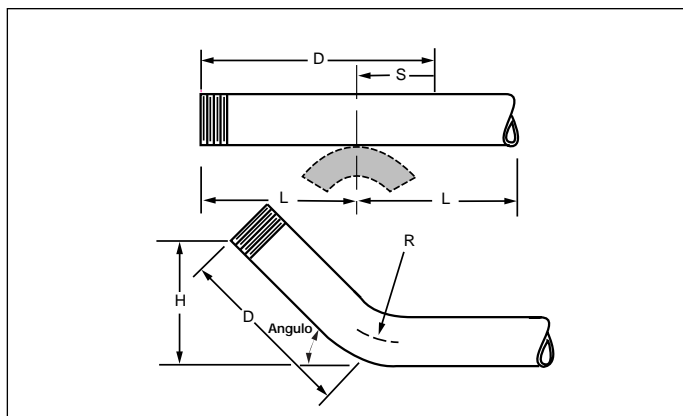


Figura 6

1. En la tabla 2, busque la distancia diagonal (**D**) que corresponda con la dimensión de giro deseada (**H**). Marque la distancia (**D**) desde el extremo de una longitud recta de tubo.
2. Localice el tamaño del tubo en la tabla 3 para obtener la medida de retroceso (**S**) bajo el ángulo de curvatura deseado.
3. Delimite la medida (**S**) en el tubo tal y como se ilustra en la FIGURA 6.



La marca (**S**) no puede estar más cerca de los extremos del tubo de la distancia mínima (**L**) que se muestra en la tabla 3 o los extremos no quedarán sujetos por las zapatas de pivote.

4. Coloque el tubo en el curvatubos de tal manera que la marca quede alineada con la flecha situada en la zapata de curvar. Proceda a curvar leyendo el ángulo deseado en el calibrador angular óptico.

Elevación (altura) plug (cm)	Angulo de curvatura			
	15°	30°	45°	60°
2 (5,08)	7 3/4	4	2 13/16	2 5/16
4 (10,16)	15 7/16	8	5 11/16	4 5/8
6 (15,24)	23 3/16	12	8 1/2	6 15/16
8 (20,32)	30 15/16	16	1 15/16	9 1/4
10 (25,4)	38 5/8	20	14 1/8	11 9/16
12 (30,48)	46 3/8	24	17	13 7/8
14 (35,56)	54 1/16	28	19 13/16	16 3/16
16 (40,64)	61 13/16	32	22 5/8	18 1/2
18 (45,72)	69 9/16	36	25 7/16	20 13/16
20 (50,8)	77 1/4	40	28 5/16	23 1/8
22 (55,88)	85	44	31 1/8	25 3/8
24 (60,96)	92 3/4	48	33 15/16	27 13/16

Nominal Tubo Tamaño plug (cm)	(S) Medida retroceso (pulgadas)				(R) *	(L) **
	Curvatubos de curva		Curvatubos de paso único			
	15°	30°	45°	60°		
1/2 (1,27)	—	1/8	1/4	7/16	3 1/4	7 1/2
3/4 (1,905)	1/16	3/16	5/16	9/16	4 1/2	8 3/4
1 (2,54)	1/16	1/4	7/16	3/4	5 3/4	10 1/4
1 1/4 (3,175)	1/8	1/4	1/2	7/8	7 1/4	11 1/2
1 1/2 (3,81)	1/8	5/16	5/8	1	8 1/4	13 1/4
2 (5,08)	3/16	3/8	1 1/16	1 3/16	9 1/2	15
2 1/2 (6,35)	3/16	7/16	1 3/16	1 3/8	10 1/2	16 3/4
3 (7,62)	1/4	9/16	1	1 1/16	13	18 1/2
3 1/2 (8,89)	1/4	5/8	1 1/8	1 5/16	17 1/2	22 1/4
4 (10,16)	5/16	3/4	1 3/8	2 1/2	20	24 1/4

* (R) Radio en la línea central (pulgadas)
 ** (L) Longitud mínima de tubo requerida en cada extremo de la marca de curvatura (pulgadas)

7.3 Instrucciones para curvatura offset

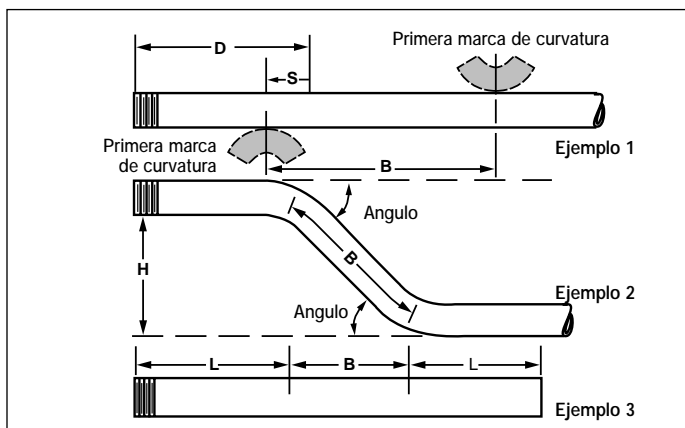


Figura 7

- Determine el ángulo de curvatura offset deseado. Localice y marque la primera curvatura a la distancia (D) menos (S) desde el extremo del tubo, siguiendo las instrucciones de la sección 7.2, "Instrucciones para curvatura por impulsos", Nos. 2 y 3.
- Encuentre la dimensión (B) en la tabla 4 de offset, utilizando el mismo ángulo de curvatura utilizado para localizar la primera marca. **NOTA:** para cualquier offset requerido (H), se listan los tamaños máximos de tubo que se puede curvar a los ángulos indicados.
- Marque la medida de la segunda curvatura (B) en el tubo tal y como se ilustra (Figura 7, Ejemplo 1).



Las marcas (B) no pueden estar más cerca de los extremos del tubo de la distancia (L) o los extremos no quedarán sujetos por las zapatas de pivote. (ver FIGURA 6, Ejemplo 3 y tabla de requerimientos "L" 5).

- Coloque el tubo en el curvatubos de tal manera que la primera marca quede alineada con la flecha situada en la zapata de curvar. Proceda a curvar leyendo el ángulo deseado en el calibrador angular óptico.
- Haga rotar el tubo 180° y alinee la segunda marca de curvatura con la flecha situada en la zapata de curvar. Proceda a realizar la segunda curvatura leyendo el ángulo en el calibrador angular óptico.

	Offset Requerida (altura) plug (cm)	(B) plug (cm)	Tamaño máximo del tubo plug (cm)
Curvatura de 15°	2 (5,08)	7 11/16 (19,526)	1/4 (1,905)
	4 (10,16)	15 7/8 (40,323)	1 1/2 (3,81)
	6 (15,24)	23 3/16 (58,896)	3 1/2 (8,89)
	8 (20,32)	30 7/8 (78,423)	4 (10,16)
	10 (25,4)	35 5/8 (90,488)	4 (10,16)
Curvatura de 30°	2 (5,08)	—	—
	4 (10,16)	7 7/8 (20,003)	3/4 (1,905)
	6 (15,24)	11 7/8 (30,163)	1 (2,54)
	8 (20,32)	15 7/8 (40,323)	1 1/2 (3,81)
	10 (25,4)	19 7/8 (50,483)	2 (5,08)
	12 (30,48)	23 7/8 (60,643)	2 1/2 (6,35)
	14 (35,56)	27 7/8 (70,803)	3 1/2 (8,89)
	16 (40,64)	31 7/8 (80,963)	4 (10,16)
Curvatura de 45°	18 (45,72)	35 7/8 (91,123)	4 (10,16)
	6 (15,24)	8 5/16 (21,114)	1/2 (3,81)
	8 (20,32)	11 1/8 (28,258)	1 (2,54)
	10 (25,4)	13 7/8 (35,243)	1 1/4 (3,175)
	12 (30,48)	16 11/16 (42,386)	1 1/2 (3,81)
	14 (35,56)	19 1/2 (49,53)	2 (5,08)
	16 (40,64)	22 3/8 (56,833)	2 1/2 (6,35)
	18 (45,72)	25 3/16 (63,976)	3 (7,62)
	20 (50,8)	28 (71,12)	3 1/2 (8,89)
	22 (55,88)	30 7/8 (78,423)	4 (10,16)
Curvatura de 60°	6 (15,24)	—	—
	8 (20,32)	8 3/4 (22,225)	1/2 (3,81)
	10 (25,4)	10 13/16 (27,464)	1 (2,54)
	12 (30,48)	12 7/8 (32,478)	1 1/4 (3,175)
	14 (35,56)	15 1/8 (38,418)	1 1/2 (3,81)
	16 (40,64)	17 3/8 (44,133)	2 (5,08)
	18 (45,72)	18 1/2 (46,99)	2 1/2 (6,35)
	20 (50,8)	21 1/2 (54,61)	3 (7,62)
22 (55,88)	23 5/8 (60,008)	3 1/2 (8,89)	

Tamaño del tubo	(L) *
1/2" (1,27)	7 1/2
3/4" (1,905)	8 3/4
1" (2,54)	10 1/4
1 1/4" (3,175)	11 1/2
1 1/2" (3,81)	13 1/4
2" (5,08)	15
2 1/2" (6,35)	16 3/4
3" (7,62)	18 1/2
3 1/2" (8,89)	22 1/4
4" (10,16)	24 1/4

(L) = Longitud mínima de tubo requerida en cada extremo de la dimensión (B)

8.0 CURVATURA DE 90° (2 1/2" A 4" EXCLUSIVAMENTE)

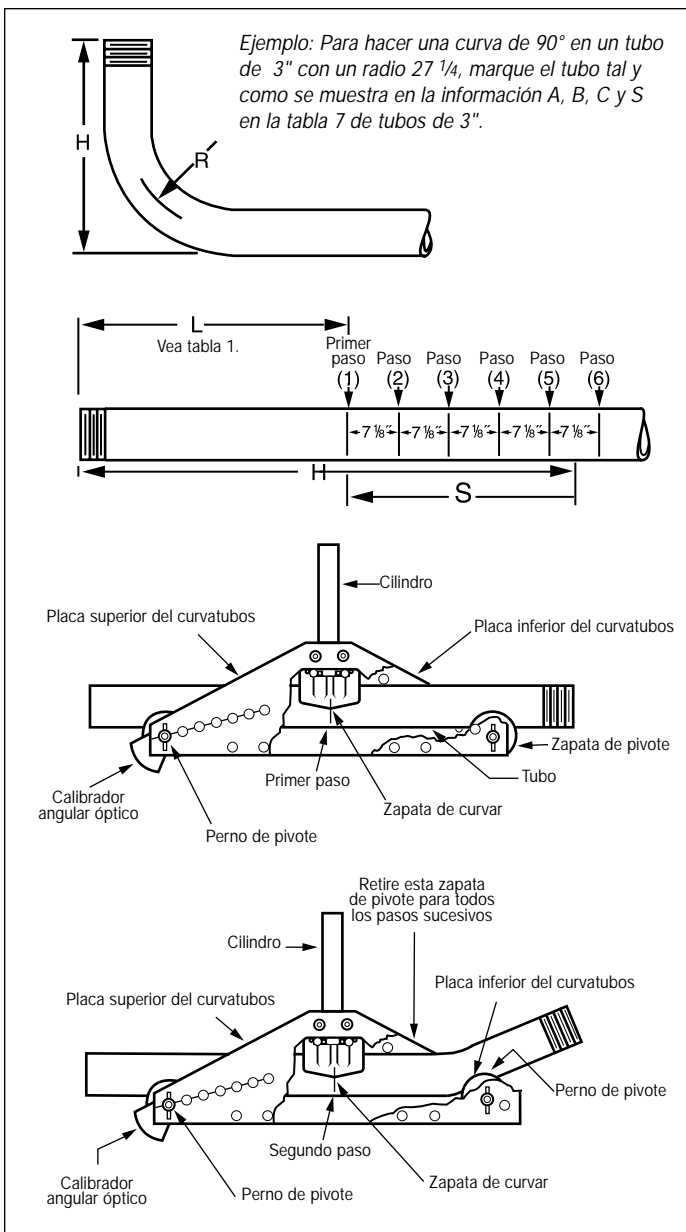


Figura 8, Curvatura de 90°

8.1 Zapatas de curvar operativas en una curvatura única

1. Marque las dimensiones deseadas de extracción (**H**) en la longitud recta del tubo (vea la FIGURA 8).
2. Localice el tamaño del tubo que va a curvar en la tabla 6. Seleccione el radio de curva deseado para encontrar la dimensión de retroceso (**S**).
3. Mida la dimensión posterior (deduzca (**S**)) y marque el tubo).
4. Marque el número indicado de pasos (columna A) a los intervalos de espacio que se indican en la columna B.
5. Coloque las zapatas de pivote en el tamaño de agujero de tubo que se muestra en el marco. Haga la primera curvatura hasta alcanzar el grado del ángulo que se muestra en la columna C.

NOTA: Puede ser recomendable curvar ligeramente en exceso en el primer paso para compensar la recuperación elástica del tubo acumulada.

6. Proceda con todos los siguientes pasos de la curvatura moviendo la zapata de pivote (sin el calibrador angular óptico) a un agujero que mantenga el tubo paralelo al borde del marco de curvatura mientras utiliza el mismo ángulo de curvatura.

Para Impulsos y Offsets de 15° y 30° que utilicen un curvatubos de curvatura, vea las tablas 3, 4, y 5.

Tabla 6

Tubo Tamaño pulg (cm)	Línea central Radio (R) plug (cm)	(S) Retroceso plug (cm)	(A) N° de pasos (90°)	(B) Espacio entre pasos plug (cm)	(C) Grados por paso
2 1/2" (6,35)	10 1/2* (26,67)	9 3/16 (23,336)	3	5 1/2 (13,97)	30°
	14 1/2 (36,83)	13 3/32 (33,258)	4	5 3/4 (14,605)	22°
	18 1/2 (46,99)	17 1/32 (43,260)	5	5 3/4 (14,605)	18°
	22 1/2 (57,15)	21 (53,34)	6	5 7/8 (14,923)	15°
	26 1/2 (67,31)	25 11/32 (64,373)	8	5 1/4 (13,335)	11°
3" (7,62)	13 * (33,02)	11 3/8 (28,893)	3	6 3/4 (17,145)	30°
	17 3/4 (45,085)	16 1/64 (40,680)	4	7 (17,78)	22°
	22 1/2 (57,15)	20 3/4 (52,705)	5	7 (17,78)	18°
	27 1/4 (69,215)	25 7/16 (64,611)	6	7 1/8 (18,098)	15°
	32 (81,28)	30 5/32 (76,597)	7	7 1/8 (18,098)	13°
3 1/2" (8,89)	17 1/2* (44,45)	14 15/16 (37,941)	3	9 1/4 (23,495)	30°
	22 7/8 (58,103)	20 3/8 (51,753)	4	9 (22,86)	22°
	28 1/4 (71,755)	25 13/16 (65,564)	5	8 7/8 (22,543)	18°
	33 5/8 (85,408)	31 1/4 (79,375)	6	8 3/4 (22,225)	15°
	39 (99,06)	36 5/8 (93,028)	7	8 1/4 (20,955)	13°
4" (10,16)	20 * (50,8)	17 1/64 (43,220)	3	10 1/2 (26,67)	30°
	26 (66,04)	23 1/64 (58,460)	4	10 1/4 (26,035)	22°
	32 (81,28)	29 1/4 (74,295)	5	10 (25,4)	18°
	38 (96,52)	35 9/32 (89,614)	6	10 (25,4)	15°
	44 (111,76)	41 5/16 (41,312)	7	9 7/8 (25,083)	13°

* Estos radios corresponden con curvas únicas de 90°.

9.0 INSTRUCCIONES PARA CURVATURA CONCÉNTRICA

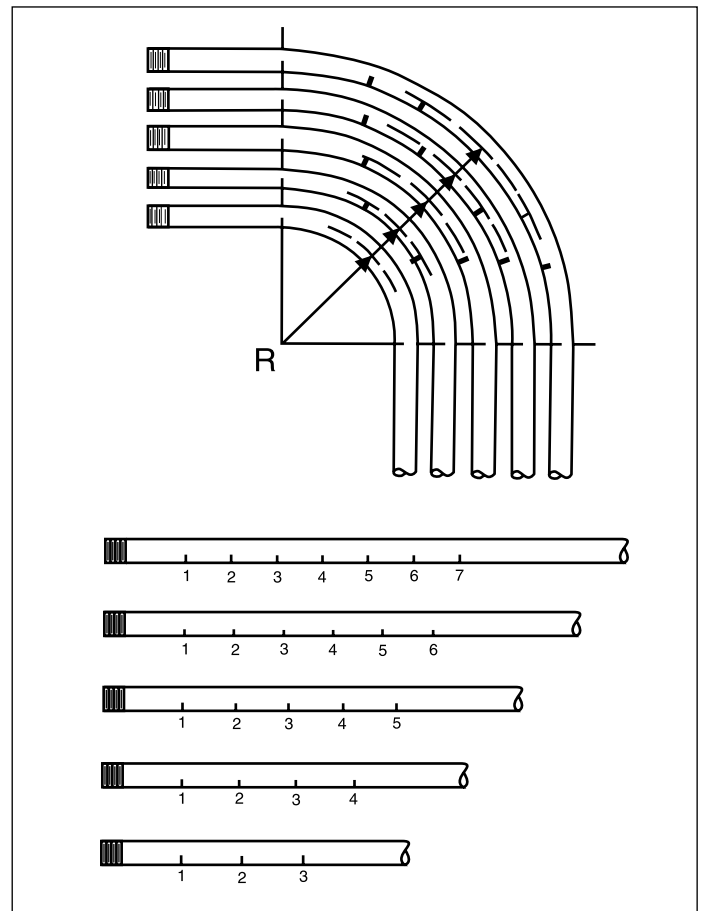


Figura 9

9.1 Instrucciones para curvatubos con curvatura segmental / curva

1. Para curvatura concéntrica, determine el primer radio.
2. Localice el tamaño del tubo que va a curvar en la tabla 7. Curve el radio más pequeño primero utilizando las instrucciones de curvatura con curva de 90°; vea la sección 8.0.
3. Haga todas las curvaturas concéntricas sucesivas de la misma manera; anotando cada uno de los radios subsiguientes y sus correspondientes especificaciones A, B, y C.

9.2 Curvaturas con otros radios

Para desarrollar sus propias especificaciones para otros radios diferentes a los que se muestran en las tablas, utilice la siguiente fórmula:

1. Determine el número de pasos que desea dar- aproximado de la tabla 6.
2. Divida el número total de grados del ángulo de curvatura requerido por usted por el número de grados por paso que necesite dar. (El grado mayor de curvatura con las zapatas de curva ENERPAC en un solo paso es de 30°.)
3. Multiplique el radio de curvatura por 0,018 y el número de grados por paso del paso 2 ($R \times 0,018 \times \text{grados por paso}$). Esto le dará el espacio requerido entre cada paso.
4. Proceda a curvar siguiendo las instrucciones anteriores.

L2524 Rev. O 11/02

Reparatie/Onderdelenlijsten voor deze producten zijn te downloaden van de Enerpac Website www.enerpac.com of verkrijgbaar via uw Enerpac Service Centre of vertegenwoordiger.

1.0 BELANGRIJKE INSTRUCTIES BIJ ONTVANGST

Controleer visueel alle onderdelen op schade opgelopen tijdens de verzending. Schade opgelopen tijdens de verzending wordt niet door de garantie gedekt. Als schade opgelopen tijdens de verzending wordt gevonden, de transporteur is verantwoordelijk voor alle reparatie- of vervangingskosten als gevolg van opgelopen schade tijdens de verzending.

VEILIGHEID VOOROP

2.0 VEILIGHEIDSKWESTIES



Lees nauwkeurig alle instructies, waarschuwingen en let op-gedeelten. Volg alle veiligheidsvoorzieningen om persoonlijk letsel of schade aan eigendom te voorkomen als het systeem in werking is. Enerpac kan niet verantwoordelijk worden gesteld voor schade of letsels als gevolg van onveilig gebruik van dit product, gebrek aan onderhoud, of onjuiste toepassing van het product of het systeem. Neem contact op met Enerpac mocht u twijfels hebben over veiligheidsvoorzieningen en werkingen. Als u nooit een opleiding in hogedruk hydraulische veiligheid hebt gevolgd neem dan contact om met uw verdeel- of servicecentrum voor een gratis veiligheidskursus van Enerpac.

Het niet volgen van deze waarschuwingen en voorzorgsmaatregelen kan schade aan de machine en persoonlijk letsel veroorzaken.

LET OP wordt gebruikt om correcte bedienings- en onderhoudsprocedures en praktijken aan te duiden om schade aan, of vernietiging van, machines of andere eigendom te voorkomen.

WAARSCHUWING wijst op een mogelijk gevaar dat de juiste procedures en praktijken vereist om persoonlijk letsel te voorkomen.

GEVAAR wordt enkel gebruikt als uw actie of gebrek aan actie ernstig letsel of zelfs de dood tot gevolg kan hebben.



WAARSCHUWING: Draag de juiste persoonlijke beschermende kleding bij het werken met hydraulische machines.



WAARSCHUWING: Blijf uit de buurt van ladingen die hydraulisch worden ondersteund. Een cilinder die wordt gebruikt als een hefinrichting mag nooit worden gebruikt als een lasthouder. Nadat de lading omhoog of omlaag is gebracht, moet deze altijd mechanisch worden geblokkeerd.



WAARSCHUWING: GEBRUIK ENKEL STIJVE MATERIALEN OM DE LADINGEN VAST TE HOUDEN. Kies met zorg stalen of houten blokken die een lading kunnen ondersteunen. Gebruik nooit een hydraulische cilinder als een pakkingschijf of een afstandstuk in enige toepassing waarbij opheffen of drukken wordt gebruikt.



GEVAAR: Om persoonlijk letsel te voorkomen, handen en voeten weghouden van de cilinder en het werkstuk tijdens de bediening.



WAARSCHUWING: Niet de nominale waarden van de machines overschrijden. Probeer nooit om een lading op te heffen die meer weegt dan de capaciteit van de cilinder. Overladen veroorzaakt falen van de machine en mogelijk persoonlijk letsel. De cilinders zijn ontworpen voor een maximale druk van 700 bar. Geen vijzel of cilinder op een pomp aansluiten die een hogere drukwaarde heeft.



LET OP: Nooit de ontlastklep instellen op een hogere druk dan de maximaal nominale druk van de pomp. Hogere instellingen kunnen schade aan de machine en/of persoonlijk letsel tot gevolg hebben.



WAARSCHUWING: De bedieningsdruk van het systeem mag de nominale drukwaarde van het onderdeel met de laagste waarde in het systeem niet overschrijden. Installeer drukmeters in het systeem om de bedieningsdruk te controleren. Op die manier weet u wat er in het systeem gebeurt.



LET OP: De hydraulische slang niet beschadigen. Vermijd ombuigen en knikken bij het aanbrengen van de hydraulische slangen. Een gebogen of geknikte slang gebruiken kan ernstige tegendruk van de afvoerstream veroorzaken. Scherpe ombuigingen en knikken beschadigen de slang aan de binnenkant wat tot vroegtijdig falen van de slang kan leiden.



Geen zware objecten op de slang laten vallen. Een scherpe impact kan interne schade aan de draadvezels van de slang veroorzaken. Druk uitoefenen op een slang die beschadigd is, kan scheuren van de slang tot gevolg hebben.



BELANGRIJK: Hydraulische machines niet bij de slangen of de koppelingen opheffen. Gebruik de draaghandgreep of een ander middel om de machine veilig te transporteren.



LET OP: Houd de hydraulische machine weg van vlammen en hitte. Buitenmatige hitte verzacht de pakkingen en afdichtingen wat tot vloeistoflekken kan leiden. Hitte verzwakt ook slangmaterialen en pakkingen. Voor optimale prestaties de machines niet blootstellen aan temperaturen van 65°C (150°F) of hoger. Bescherm slangen en cilinders tegen lasspetters.



GEVAAR: Slangen die onder druk staan, niet aanraken. Als olie die onder druk staat ontsnapt, kan het door de huid dringen wat ernstige letsel kan veroorzaken. Als olie onder de huid wordt geïnjecteerd, onmiddellijk een arts raadplegen.



WAARSCHUWING: Gebruik hydraulische cilinders enkel in een aangesloten systeem. Nooit een cilinder gebruiken met koppelingen die niet aangesloten zijn. Als de cilinder uiterst overladen is, kunnen onderdelen op een catastrofische manier falen wat ernstig persoonlijk letsel kan veroorzaken.



WAARSCHUWING: Zorg dat de apparatuur stabiel is opgezet alvorens lasten te heffen. De cilinder dient op een vlakke ondergrond geplaatst te worden die de last kan dragen. Gebruik waar mogelijk een ondersteuning voor de cilinder voor extra stabiliteit. De cilinder mag niet gelast of op een andere manier aangepast worden voor het bevestigen van een voetstuk of andere ondersteuning.



Vermijd situaties, waarbij de last niet aangrijpt in het hart van de cilinderplunjer. Niet-centrisch aangrijpende lasten veroorzaken aanzienlijke spanningen in de cilinder en de plunjer. Bovendien kan de last wegglijden of vallen, wat tot gevaarlijke situaties leidt.



Verdeel de last gelijkmatig over het gehele zadeloppervlak. Gebruik altijd een zadel om de plunjer te beschermen, wanneer geen hulpstukken met schroefdraad worden gebruikt.



BELANGRIJK: Hydraulische machines mogen enkel door een bevoegd hydraulisch technicus van onderhoud worden voorzien. Voor reparaties dient u contact op te nemen met een nabijgelegen bevoegd ENERPAC servicecentrum. Om uw garantie te beschermen, enkel ENERPAC olie gebruiken.



WAARSCHUWING: Versleten of beschadigde onderdelen onmiddellijk met authentieke ENERPAC onderdelen vervangen. Standaardonderdelen breken, wat tot persoonlijk letsel en schade aan eigendom kan leiden. ENERPAC onderdelen zijn zodanig ontworpen dat ze precies passen en hoge ladingen kunnen weerstaan.

4. Zet de geselecteerde buig schoen op de cilinderzuiger en vergrendel hem met de U-vormige vergrendelpen.

Specificatietabel

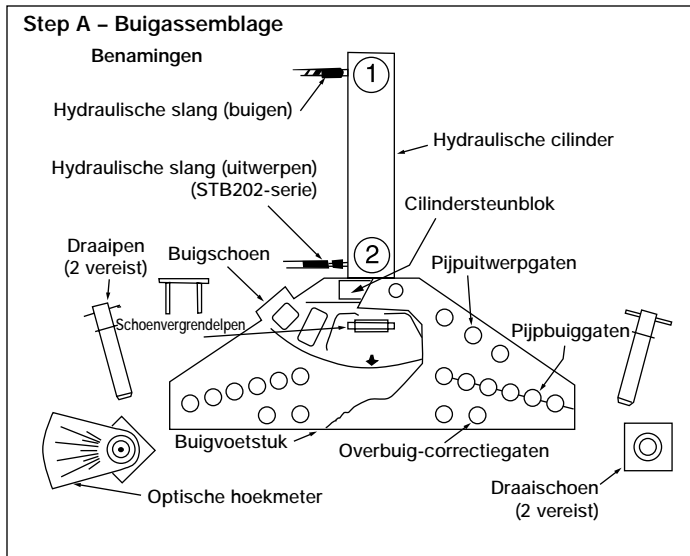
Buiten-diameter pijp in. (mm)	Wanddikte in. (mm)	Pijpindex*	Hartlijn- buig- radius in. (mm)	STB-101 ø 21,3-60,3 Eén slag	STB-101 ø 33,4-60 mm Eénslag ø73-114,3 mm Stapsgewijs	STB-10 ø73-114,3 mm Stapsgewijs
1/2 (21,3)	.109 (2,8)	40	2 7/8 (73)	Ja	-	-
	.147 (3,7)	80		Ja	-	-
	.187 (4,7)	160		WS	-	-
	.294 (7,5)	160		WS	-	-
3/4 (26,6)	.113 (2,9)	40	4 (102)	Ja	-	-
	.154 (3,9)	80		Ja	-	-
	.218 (5,5)	160		WS	-	-
	.308 (7,8)	DEH		WS	-	-
1 (33,4)	.133 (3,4)	40	5 1/8 (130)	Ja	Ja	-
	.179 (4,5)	80		Ja	Ja	-
	.250 (6,4)	160		WS	WS	-
	.358 (9,1)	DEH		-	WS	-
1 1/4 (42,2)	.140 (3,6)	40	6 7/16 (164)	Ja	Ja	Ja
	.191 (4,9)	80		Ja	Ja	Ja
	.250 (6,4)	160		WS	WS	Ja
	.342 (8,7)	DEH		-	WS	WS
1 1/2 (48,3)	.145 (3,7)	40	7 5/16 (186)	Ja	Ja	Ja
	.200 (5,1)	80		Ja	Ja	Ja
	.281 (7,1)	160		WS	WS	Ja
	.400 (10,2)	DEH		-	WS	WS
2 (60,3)	.154 (3,9)	40	8 5/16 (211)	Ja	Ja	Ja
	.218 (5,5)	80		Ja	Ja	Ja
	.343 (8,7)	160		-	WS	Ja
2 1/2 (73,0)	.203 (5,2)	40	9 1/2 (241)	-	Ja	Ja
	.276 (7,0)	80		-	WS	Ja
	.375 (9,5)	160		-	WS	Ja
3 (88,9)	.216 (5,5)	40	11 1/4 (286)	-	Ja	Ja
	.300 (7,6)	80		-	WS	Ja
3 1/2 (101,6)	.226 (5,7)	40	15 1/2 (394)	-	Ja	Ja
	.318 (8,1)	80		-	WS	Ja
4 (114,3)	.237 (6,0)	40	17 3/4 (451)	-	Ja	Ja
	.337 (8,6)	80		-	-	Ja

*Pijpindex: 40=standaard; 80=extra zwaar; 160=dubbel extra zwaar (alleen voor zachtstaalpijpen)
DEH=dubbel extra zwaar (enigszins dikker dan 160);
WS=kan worden gebogen door de draaischoenen naar de gaten voor de volgende grotere pijpmaat te verplaatsen.

3.0 SPECIFICATIES (ZIE SPECIFICATIETABEL)

4.0 ASSEMBLAGE (ZIE AFBEELDING 1)

- Schroef de hydraulische cilinder in het cilindersteunblok op het voetstuk van het apparaat.
- Maak de slang(en) aan de pompklep vast. Sluit slang (1) op cilinderpoort (1) aan, en slang (2) op cilinderpoort (2). OPMERKING: Slang (2) wordt alleen gebruikt met de STB-202-serie buigapparaten.
- Selecteer de buig schoen voor de te buigen pijp. Elke schoen is volgens maat gemarkeerd en heeft een pijl, die de het middelpunt aangeeft van de te maken buiging.



Afbeelding 1, Buigassemblage

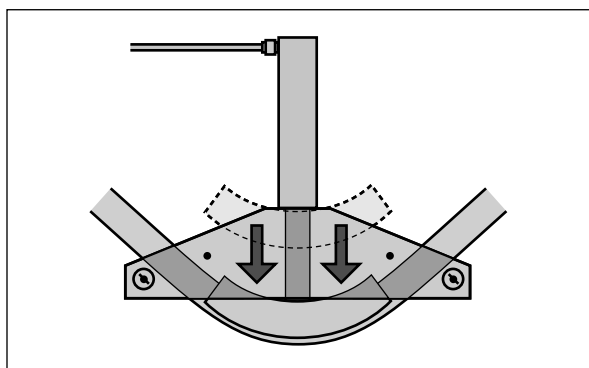
5.0 PIJPEN BUIGEN (ZIE AFBEELDING 2 AND 3)



BELANGRIJK: Voordat met buigen wordt begonnen moet worden verzekerd dat de draaipennen door de bodemplaat van het voetstuk steken en vergrendeld zijn, om juist te kunnen verankeren.

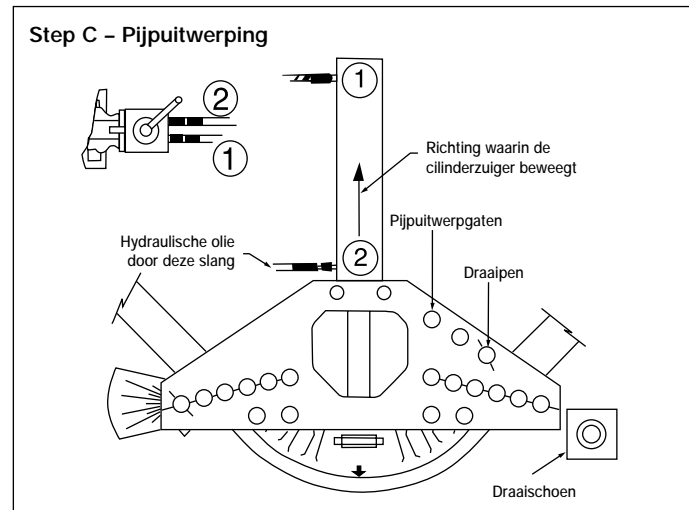
Wanneer de pomp met de hand of elektrisch wordt ingeschakeld, moet de operator aan de kant van de cilinder staan. Buigen vanaf de voorkant wordt niet aanbevolen.

Gedurende het buigen moet op de optische hoekmeter worden gelet, totdat de gewenste buighoek bereikt is. Vanwege terugvering van de pijp is het noodzakelijk om enigszins voorbij de gewenste hoek te gaan.



Afbeelding 3, Buigen van pijpen

6.0 PIJP VERWIJDEREN



Afbeelding 4, Pijpuitwerping

1. Zet de pijp op het pijpvoetstuk.
2. Bevestig de optische hoekmeter aan de bovenkant van de draaischoen, zoals in afbeelding 3 wordt getoond. Een richtpen op de meter past in een gat in de draaischoen.
3. Monteer de andere draaischoen. Beide draaischoenen zijn gemarkeerd voor diverse pijpmaten. De markeringen op de draaischoenen moeten overeenkomen met de pijpmaten die worden gebogen, en naar de pijp gericht zijn.
4. Indien afgelezen langs de lijn die op het buigvoetstuk gemerkt staat, moet de hoekmeter nu op nul staan.
5. Vergrendel beide draaischoenen op hun plaats met de draaipennen met drukknop. De draaipen werkt door de knop met de duim in te drukken, terwijl de dwarshendel wordt vastgepakt. Zorg ervoor dat de draaipennen in de overeenkomstige en gemarkeerde pijpmaatgaten worden gestoken.

6. Draai de pompklep voor een handbediende klep zoals afgebeeld, en begin met buigen. Voor een elektrisch model met drukknop drukt u op de "Advance"-knop (alleen voor de STB-202-serie buigapparaten).

6.1 STB-202-serie Pijpuitwerping

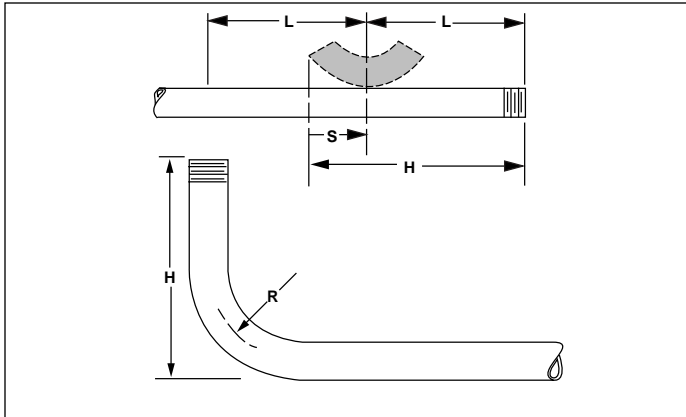
1. Trek de zuiger van de cilinder enigszins terug door de pompklep in tegenovergestelde richting van de buitenwaartse buigslag. Dit verlicht de druk op de draaischoenen en -pennen. Voor een elektrisch model met drukknop moet de intrekknop worden bewogen.
2. Verwijder één of beide draaischoenen en zet één draaipen weer in een "uitwerpgat" waar de pen de pijp, niet de schoen tegenhoudt tijdens het intrekken. Het 4 inch metende één slag-voetstuk heeft twee uitwerpgaten. Gebruik beide gaten.
3. Trek de cilinderzuiger nu volledig terug. De buigshoel en -pijp worden gelijktijdig teruggetrokken, totdat de pijp de draaipen raakt. Als dit contact plaatsvindt, wordt de pijp van de schoen afgestroopt.

4. Verwijder de andere draaipunten en draaischoenen om de pijp uit het buigapparaat te halen.

6.2 STB-101/221-serie Pijpuitwerping

1. Trek de cilinder volledig terug door de pompklep in tegenovergestelde richting van de buitenwaartse buigslag te draaien, voordat de pijp van de buigshoofden wordt verwijderd.
2. Verwijder één of beide draaischoenen.
3. Hamer de pijp uit de buigshoofden.

7.0 INSTRUCTIES VOOR DE 90° ÉÉN-SLAG PIJPSLOMP



Afbeelding 5

PIJPBUIGERS

7.1 Buiginstructies pijpslomp

1. Markeer de gewenste omhoogbuig-afmeting (H) op de rechte pijplengte (zie afbeelding 5).
2. Zoek de maat van de pijp die u gaat buigen in tabel 1, en vind de terugbuig-afmeting (S).
3. Meet de achterafmeting (S) aftrekken en pijp markeren).

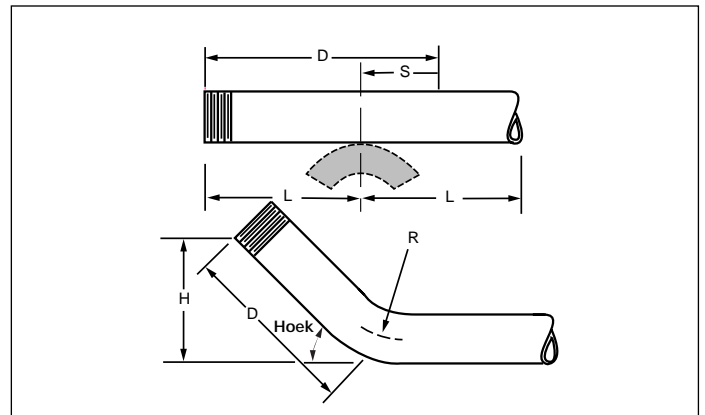


Markering (S) kan niet dicht bij het uiteinden van de pijp liggen dan de minimumafstand (L) zoals getoond in tabel 1, anders worden de uiteinden niet op de draaischoenen ondersteund.

4. Zet de pijp zodanig in het buigapparaat, zodat de markering op één lijn ligt met de pijp op de buigshoofden. Begin met buigen en lees de gewenste hoek af op de optische hoekmeter.

7.2 Slag-buiginstructies

Wanddikte in. (mm)	Terugbuiging (S) in. (mm)	Middellijnradius (R) in. (mm)	Minimumlengte (L) pijp vereist aan elke kant van buigmarkering in. (mm)
1/2 (12,7)	1 1/8 (28,56)	3 1/4 (82,55)	7 1/2 (190,5)
3/4 (19,5)	1 1/2 (38,1)	4 1/2 (114,3)	8 3/4 (222,25)
1 (25,4)	1 7/8 (47,63)	5 3/4 (146,05)	10 1/4 (260,35)
1 1/4 (31,75)	2 3/8 (60,33)	7 1/4 (184,15)	12 (304,8)
1 1/2 (38,1)	2 3/8 (60,33)	8 1/4 (209,55)	13 1/4 (336,55)
2 (50,8)	3 1/4 (82,55)	9 1/2 (241,3)	15 (381,0)
2 1/2 (63,5)	3 11/16 (789,0)	10 1/2 (266,7)	18 (457,2)
3 (76,2)	4 1/2 (114,3)	13 (330,2)	20 (508,0)
3 1/2 (88,9)	5 3/16 (131,76)	15 (381,0)	26 1/2 (673,1)
4 (101,6)	6 1/2 (165,1)	20 (508,0)	27 (685,8)



Afbeelding 6

1. In tabel 2 zoekt u de diagonale afstand (D) die overeenkomt met de gewenste omhoogbuig-afmeting (H). Markeer de afstand (D) vanaf het uiteinde van een rechte pijplengte.
2. Zoek de pijpmaat in tabel 3 om de terugbuig-afmeting (S) te verkrijgen onder de gewenste buighoek.
3. Markeer de afmeting (S) op de pijp, zoals in afbeelding 6 staat geïllustreerd.



Markering (S) kan niet dicht bij het uiteinden van de pijp liggen dan de minimumafstand (L) zoals in tabel 3 getoond, anders worden de uiteinden niet op de draaischoenen ondersteund.

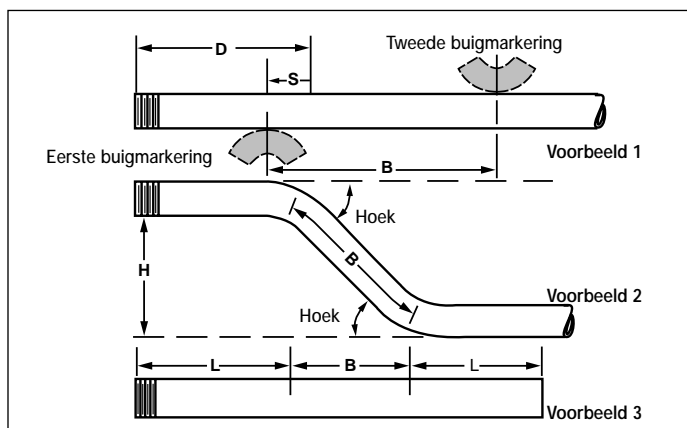
4. Zet de pijp zodanig in het buigapparaat, zodat de markering op één lijn ligt met de pijp op de buigshoofden. Begin met buigen en lees de gewenste hoek af op de optische hoekmeter.

Verhoging (H) in. (cm)	Buighoek			
	15°	30°	45°	60°
2 (50,8)	7 3/4	4	2 13/16	2 5/16
4 (101,6)	15 7/16	8	5 11/16	4 5/8
6 (152,4)	23 3/16	12	8 1/2	6 15/16
8 (203,2)	30 15/16	16	11 5/16	9 1/4
10 (254,0)	38 5/8	20	14 1/8	11 9/16
12 (304,8)	46 3/8	24	17	13 7/8
14 (355,6)	54 1/16	28	19 13/16	16 3/16
16 (406,4)	61 13/16	32	22 5/8	18 1/2
18 (457,2)	69 9/16	36	25 7/16	20 13/16
20 (508,0)	77 1/4	40	28 5/16	23 1/8
22 (558,8)	85	44	31 1/8	25 3/8
24 (609,6)	92 3/4	48	33 15/16	27 13/16

Wanddikte in. (mm)	(S) terugbuig-afmeting (in.)				(R) *	(L) **
	Sweep-buigapp.		Eén slag-buigapparaten			
	15°	30°	45°	60°		
1/2 (12,7)	—	1/8	1/4	7/16	3 1/4	7 1/2
3/4 (19,05)	1/16	3/16	5/16	9/16	4 1/2	8 3/4
1 (25,4)	1/16	1/4	7/16	3/4	5 3/4	10 1/4
1 1/4 (31,75)	1/8	1/4	1/2	7/8	7 1/4	11 1/2
1 1/2 (38,1)	1/8	5/16	5/8	1	8 1/4	13 1/4
2 (50,8)	3/16	3/8	11/16	1 3/16	9 1/2	15
2 1/2 (63,5)	3/16	7/16	13/16	1 3/8	10 1/2	16 3/4
3 (76,2)	1/4	9/16	1	11 1/16	13	18 1/2
3 1/2 (88,9)	1/4	5/8	1 1/8	11 5/16	17 1/2	22 1/4
4 (101,6)	5/16	3/4	1 3/8	2 1/2	20	24 1/4

* (R) Middellijnradius (in inches)
** (L) Vereiste minimumlengte pijp aan elke kant van de buigmarkering (in inches)

7.3 Offset-buiginstructions



Afbeelding 7

1. Stel de gewenste offset-buighoek vast. Zoek en markeer de eerste buiging op afstand (D) min (S) vanaf het uiteinde van de pijp, volgens hoofdstuk 7.2, "Slag-buiginstructions", nr. 2 en 3.
2. Zoek afmeting (B) in offset-tabel 4, met gebruikmaking van dezelfde buighoek om de eerste markering te vinden. OPMERKING: De maximale pijpmaat die tot de gegeven hoeken kan worden gebogen staat voor elke vereiste offset (H) vermeld.
3. Markeer de tweede buigafmeting (B) zoals geïllustreerd op de pijp (afbeelding 7, voorbeeld 1).



Markering (B) kan niet dicht bij de uiteinden van de pijp liggen dan afstand (L), anders worden de uiteinden niet op de draaischoenen ondersteund (zie afbeelding 6, voorbeeld 3 en de "L"-vereisten-tabel 5).

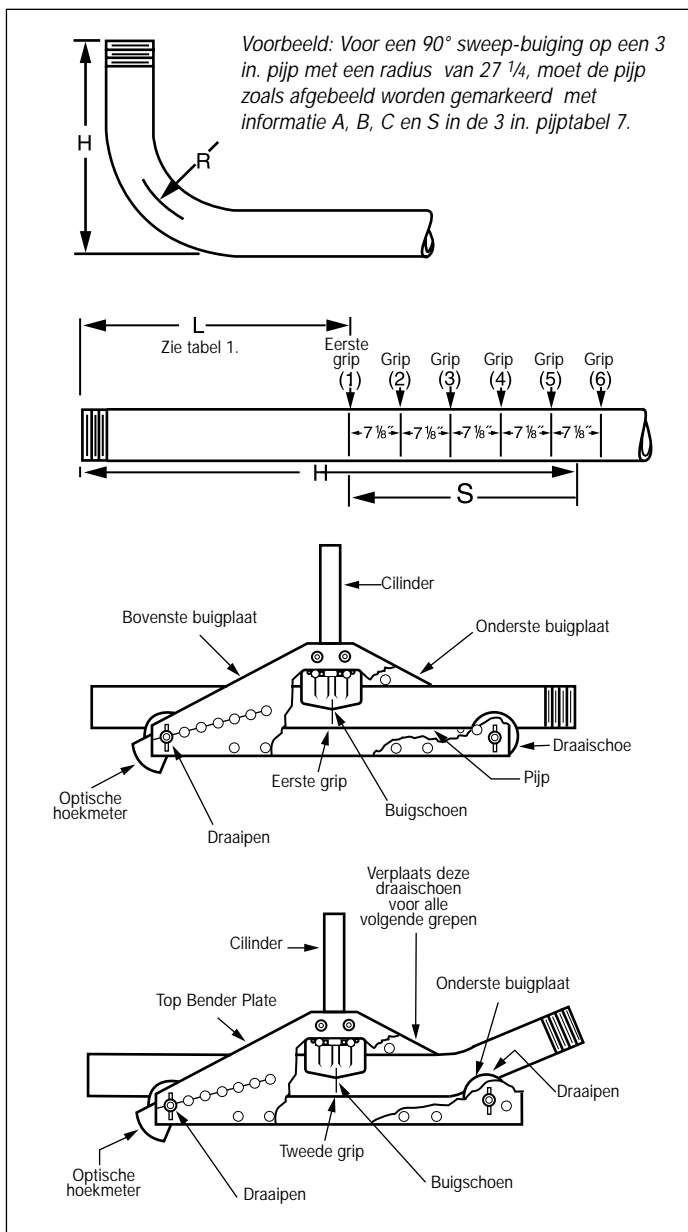
4. Zet de pijp zodanig in het buigapparaat, zodat de eerste buigmarkering op één lijn staat met de pijp op de buigshoer. Begin met buigen en lees de gewenste hoek af op de optische hoekmeter.
5. Draai de pijp 180° en zet de tweede buigmarkering op één lijn met de pijp op de buigshoer. Begin met de tweede buiging en lees de gewenste hoek af op de optische hoekmeter.

	Vereiste offset (H) in. (mm)	(B) in. (mm)	Maximale pijpmaat in. (mm)
15° buig.	2 (50,8)	7 11/16 (195,26)	3/4 (19,05)
	4 (101,6)	15 7/8 (403,23)	1 1/2 (38,1)
	6 (152,4)	23 3/16 (588,96)	3 1/2 (88,9)
	8 (203,2)	30 7/8 (784,23)	4 (101,6)
	10 (254,0)	35 5/8 (904,88)	4 (101,6)
30° buig.	2 (50,80)	—	—
	4 (101,6)	7 7/8 (200,03)	3/4 (19,05)
	6 (152,4)	11 7/8 (301,63)	1 (25,4)
	8 (203,2)	15 7/8 (403,23)	1 1/2 (38,1)
	10 (254,0)	19 7/8 (504,83)	2 (50,8)
	12 (304,8)	23 7/8 (606,43)	2 1/2 (63,5)
	14 (355,6)	27 7/8 (708,03)	3 1/2 (88,9)
	16 (406,4)	31 7/8 (809,63)	4 (101,6)
45° buig.	18 (457,2)	35 7/8 (911,23)	4 (101,6)
	6 (152,4)	8 5/16 (211,14)	1/2 (38,1)
	8 (203,2)	11 1/8 (282,58)	1 (25,4)
	10 (254,0)	13 7/8 (352,43)	1 1/4 (31,75)
	12 (304,8)	16 11/16 (423,86)	1 1/2 (38,1)
	14 (355,6)	19 1/2 (495,3)	2 (50,8)
	16 (406,4)	22 3/8 (568,33)	2 1/2 (63,5)
	18 (457,2)	25 3/16 (639,76)	3 (76,2)
60° buig.	20 (508,0)	28 (711,2)	3 1/2 (88,9)
	22 (558,8)	30 7/8 (784,23)	4 (101,6)
	6 (152,4)	—	—
	8 (203,2)	8 3/4 (222,25)	1/2 (38,1)
	10 (254,0)	10 13/16 (274,64)	1 (25,4)
	12 (304,8)	12 7/8 (324,78)	1 1/4 (31,75)
	14 (355,6)	15 1/8 (384,18)	1 1/2 (38,1)
	16 (406,4)	17 3/8 (441,33)	2 (50,8)
	18 (457,2)	18 1/2 (469,9)	2 1/2 (63,5)
	20 (508,0)	21 1/2 (546,1)	3 (76,2)
22 (558,8)	23 5/8 (600,08)	3 1/2 (88,9)	

Pijpmaat	(L) *
1/2" (12,7)	7 1/2
3/4" (19,05)	8 3/4
1" (25,4)	10 1/4
1 1/4" (31,75)	11 1/2
1 1/2" (38,1)	13 1/4
2" (50,8)	15
2 1/2" (63,5)	16 3/4
3" (76,2)	18 1/2
3 1/2" (88,9)	22 1/4
4" (101,6)	24 1/4

(L) = Min. vereiste pijplengte op elk uiteinde van de afmeting (B)

8.0 90° SWEEP-BUIGING (ALLEEN 2 _ IN. T/M 4 IN.)



Afbeelding 8, 90° sweep-buiging

8.1 De sweep-schoenen met één slag-buigwerking

1. Markeer de gewenste pijpstompafmeting (H) op de rechte pijplengte (zie afbeelding 8).
2. Zoek de maat van de pijp die u wilt buigen in tabel 6. Selecteer de gewenste sweep-radius om de terugbuigafmeting (S) te vinden.
3. Meet de achterafmeting (S) aftrekken en pijp markeren).
4. Markeer een bepaald aantal grepen (kolom A) op de in kolom B verstrekte afstanden.
5. Zet de draaischoenen in de op het voetstuk aangegeven maat van het pijpgat. Maak de eerste buiging op de in kolom C getoonde hoekgraad.

OPMERKING: Het kan raadzaam zijn om de eerste grip enigszins te ver te buigen, om te compenseren voor de cumulatieve terugvering.

6. Maak alle volgende buigingen door de draaischoen (zonder de optische hoekmeter) naar een gat te verplaatsen dat de pijp parallel aan de rand van het voetstuk van het buigapparaat houdt, maar met gebruik van dezelfde buighoek.

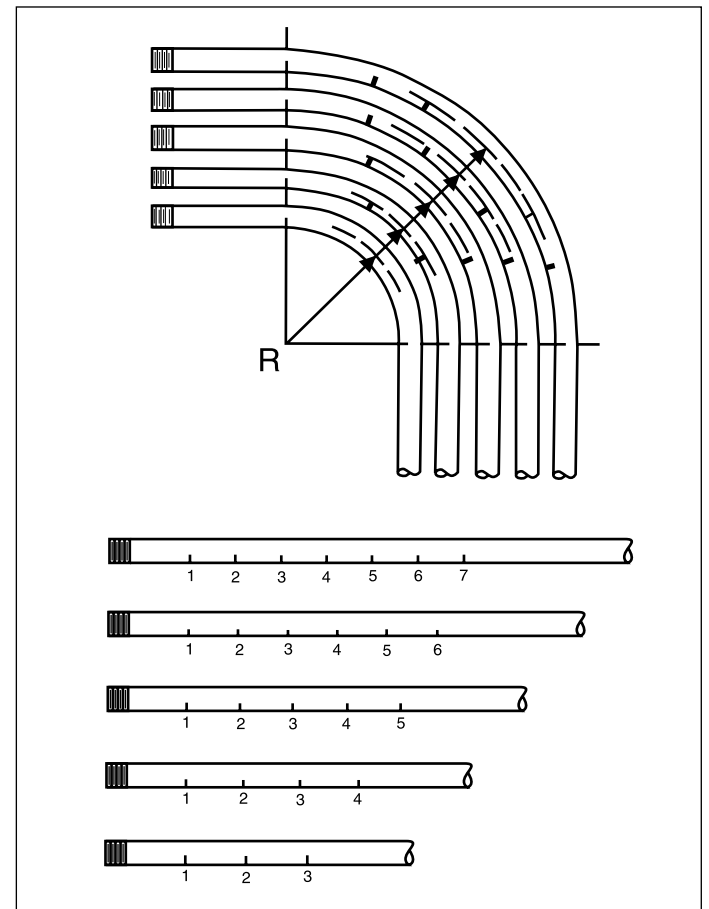
Zie tabellen 3, 4 en 5 voor 15° en 30° slagen en offsets met een sweep-buigapparaat.

Tabel 6

Pijpmaat in. (mm)	Middellijnradius (R) in. (mm)	(S) Terugbuig. in. (mm)	(A) Aantal grepen (90°)	(B) Afstand tussen grepen in. (mm)	(C) Graden per grip
2 1/2" (63,5)	10 1/2* (266,7)	9 3/16 (233,36)	3	5 1/2 (139,7)	30°
	14 1/2 (368,3)	13 3/32 (332,58)	4	5 3/4 (146,05)	22°
	18 1/2 (469,9)	17 1/32 (432,60)	5	5 3/4 (146,05)	18°
	22 1/2 (571,5)	21 (533,4)	6	5 7/8 (149,23)	15°
	26 1/2 (673,1)	25 11/32 (643,73)	8	5 1/4 (133,35)	11°
3" (76,2)	13 * (330,2)	11 3/8 (288,93)	3	6 3/4 (171,45)	30°
	17 3/4 (450,85)	16 1/64 (406,80)	4	7 (177,8)	22°
	22 1/2 (571,5)	20 3/4 (527,05)	5	7 (177,8)	18°
	27 1/4 (692,15)	25 7/16 (646,11)	6	7 1/8 (180,98)	15°
	32 (812,8)	30 5/32 (765,97)	7	7 1/8 (180,98)	13°
3 1/2" (88,9)	17 1/2* (444,5)	14 15/16 (379,41)	3	9 1/4 (234,95)	30°
	22 7/8 (581,03)	20 3/8 (517,53)	4	9 (228,6)	22°
	28 1/4 (717,55)	25 13/16 (655,64)	5	8 7/8 (225,43)	18°
	33 5/8 (854,08)	31 1/4 (793,75)	6	8 3/4 (222,25)	15°
	39 (990,6)	36 5/8 (930,28)	7	8 1/4 (209,55)	13°
4" (101,6)	20 * (508,0)	17 1/64 (432,20)	3	10 1/2 (266,7)	30°
	26 (660,4)	23 1/64 (584,60)	4	10 1/4 (260,35)	22°
	32 (812,8)	29 1/4 (742,95)	5	10 (254,0)	18°
	38 (965,2)	35 9/32 (896,14)	6	10 (254,0)	15°
	44 (1117,6)	41 5/16 (41312)	7	9 7/8 (250,83)	13°

* Deze radii komen overeen met 90° één slag-buigingen.

9.0 INSTRUCTIES VOOR CONCENTRISCH BIJGEN



Afbeelding 9

9.1 Sweep-/Segment-buiginstructies

1. Voor concentrisch buigen moet de eerste radius worden vastgesteld.
2. Zoek de pijpmaat die u wilt buigen in tabel 7. Maak de buiging met de kleinste radius eerst volgens de 90° sweep-buiginstructies; zie hoofdstuk 8.0.
3. Maak alle volgende concentrische buigingen op dezelfde manier; noteer elke volgende radius en de daarmee overeenkomende A-, B- en C-specificaties.

9.2 Andere radii voor buigingen

Gebruik de volgende formule om uw eigen specificaties te ontwikkelen voor andere radii dan die in de tabellen vermeld staan:

1. Bepaal het volgens tabel 6 geschatte aantal grepen dat u wilt maken.
2. Deel het totale aantal graden van uw vereiste buighoek door het aantal grepen. Dit levert het aantal graden per grip op die u moet maken. (De grootste buiggraad met ENERPAC sweep-schoenen in één grip is 30°.)
3. Vermenigvuldig de buigradius met 0,018 en met het aantal graden per grip uit stap 2 ($R \times 0,018 \times \text{graden per grip}$). Dit levert de vereiste afstand tussen elke grip op.
4. Begin met buigen en volg de eerdere instructies.

L2524 Rev. O 11/02

Folhas de Instrução para este produto estão disponíveis no Site de Enerpac - www.enerpac.com, ou no Centro de Serviço Autorizado mais próximo, ou com o Escritório de Vendas Enerpac.

1.0 INSTRUÇÕES IMPORTANTES NO RECEBIMENTO

Inspeccione visualmente todos os componentes verificando se houve avarias durante o transporte. Avarias no transporte não são cobertas pela garantia. Caso haja avarias no transporte, avise o transportador imediatamente. O transportador é responsável por todos os custos de consertos e substituições decorrentes de avarias ocorridas no transporte.

SEGURANÇA EM PRIMEIRO LUGAR

2.0 ASSUNTOS DE SEGURANÇA



Leia cuidadosamente todas as instruções, advertências e avisos sobre precaução. Siga todas as recomendações de segurança para evitar lesões pessoais ou danos à propriedade durante a operação do sistema. Enerpac não pode ser responsável por danos ou lesões pessoais resultantes do uso indevido do produto, falta de manutenção ou operação inadequada do produto e/ou sistema. Entre em contato com Enerpac quando houver dúvidas sobre as recomendações de segurança e operações. Se você nunca recebeu treinamento em segurança na hidráulica de alta pressão, consulte o seu distribuidor ou centro de serviço sobre um curso de segurança hidráulica Enerpac.

Falhas no cumprimento das advertências e avisos de precaução podem causar lesões pessoais e avarias ao equipamento.

PRECAUÇÃO é usada para indicar a operação correta ou os procedimentos e métodos de manutenção para prevenir o dano, a destruição do equipamento ou outras propriedades.

ADVERTÊNCIA indica um perigo potencial que exige procedimentos ou métodos corretivos para evitar lesões pessoais.

PERIGO é usado somente quando a ação ou a falta da mesma podem causar lesões sérias ou mesmo a morte.



ADVERTÊNCIA: Use equipamentos individuais de proteção quando acionar equipamentos hidráulicos.



ADVERTÊNCIA: Mantenha distância de cargas apoiadas por cilindros hidráulicos. Um cilindro, quando utilizado como dispositivo de levantamento, jamais deve ser usado como dispositivo de sustentação de carga. Depois de haver sido levantada ou baixada, a carga deve sempre ser bloqueada mecanicamente.



ADVERTÊNCIA: USE SOMENTE PEÇAS RÍGIDAS PARA APOIAR AS CARGAS. Selecione cuidadosamente blocos de madeira ou ferro que sejam capazes de sustentar a carga. Nunca use um cilindro hidráulico como um calço ou espaçador em qualquer aplicação de levantamento ou prensagem.



PERIGO: Para evitar lesões pessoais mantenha mãos e pés longe do cilindro e da área de trabalho durante a operação.



ADVERTÊNCIA: Não exceda a capacidade do equipamento. Nunca tente levantar uma carga mais pesada que a capacidade do cilindro. Excesso de carga pode causar falhas no equipamento e possíveis lesões pessoais. Os cilindros são projetados para uma pressão máxima de 700 bar [10.000 psi]. Não faça a ligação entre um macaco ou um cilindro com uma bomba com capacidade maior de pressão.



Nunca ajuste uma válvula de alívio com pressão maior que a capacidade de pressão máxima da bomba. Ajustes maiores podem resultar em danos ao equipamento e/ou lesões pessoais.



ADVERTÊNCIA: A pressão de operação do sistema não deve exceder a capacidade de pressão do componente de menor capacidade no sistema. Instale manômetros de pressão no sistema para monitorar a pressão de operação. É a sua janela para o que está acontecendo no sistema.



PRECAUÇÃO: Evite danificar mangueiras hidráulicas. Evite curvas ou dobras pronunciadas quando direcionar as mangueiras hidráulicas. O uso de uma mangueira curvada ou dobrada causará aumento na pressão de retorno. Curvas ou dobras pronunciadas danificarão a mangueira internamente, levando a um desgaste prematuro.



Não derrube objetos pesados na mangueira. Um forte impacto pode causar danos à trama interna de aço da mangueira. A aplicação de pressão em uma mangueira danificada pode causar a sua ruptura.



IMPORTANTE: Não levante o equipamento hidráulico pela mangueira ou pelos engates. Use manoplas ou outros meios mais seguros para o transporte.



PRECAUÇÃO: Mantenha o equipamento hidráulico longe do calor e das chamas. O calor excessivo amolece vedações e selos, resultando em vazamento.

de fluidos. O calor também enfraquece o material das mangueiras e das juntas. Para um desempenho otimizado não exponha o equipamento a temperaturas maiores que 65 °C [150 °F]. Proteja mangueiras e cilindros dos respingos de solda.

PERIGO: Não manuseie mangueiras pressurizadas. O escape do óleo sob pressão pode penetrar na pele, causando lesões sérias. Se o óleo penetrar na pele, procure um médico imediatamente.

ADVERTÊNCIA: Use somente cilindros hidráulicos num sistema acoplado. Nunca use um cilindro com engates não conectados. Caso o cilindro se torne extremamente sobrecarregado, os componentes podem falhar catastróficamente, causando severas lesões pessoais.

ADVERTÊNCIA: ESTEJA CERTO QUE A MONTAGEM É ESTÁVEL ANTES DE LEVANTAR A CARGA. Os cilindros devem ser colocados em superfícies planas que podem apoiar a carga. Quando aplicável, use uma base de cilindro Enerpac para aumentar a estabilidade. Não faça soldas ou, de qualquer forma, modifique o cilindro para acrescentar uma base ou outro apoio.

Evite situações em que as cargas não estão centradas na haste do cilindro. Cargas fora de centro podem causar deformações consideráveis nas hastes e nos cilindros. Além disso, a carga pode escorregar ou cair, causando resultados potencialmente perigosos.

Distribua a carga uniformemente em toda a superfície do assento. Use sempre um assento para proteger a haste.

IMPORTANTE: Somente técnicos em hidráulica, devidamente qualificados, devem fazer a manutenção de equipamentos hidráulicos. Para serviços de manutenção, entre em contato com o Centro de Serviço Autorizado Enerpac em sua área. Para proteger sua garantia, use somente óleo Enerpac.

ADVERTÊNCIA: Substitua imediatamente peças gastas ou danificadas por peças genuínas Enerpac. Peças não genuínas podem quebrar, causando lesões pessoais ou danos à propriedade. As peças Enerpac são projetadas para se encaixar adequadamente e sustentar cargas pesadas.

3.0 ESPECIFICAÇÕES (VER TABELA DE ESPECIFICAÇÕES)

4.0 MONTANDO O DOBRADOR (VER FIGURA 1)

1. Rosqueie o cilindro hidráulico no bloco de apoio na armação do dobrador.
2. Conecte a (s) mangueira (s) na válvula da bomba. Conecte a mangueira (1) na saída do cilindro (1); a mangueira (2) na saída do cilindro (2). NOTA: a mangueira (2) é usada somente com os Dobradores de Tubo da Série STB-202.
3. Selecione a sapata para o tubo a ser dobrado. Cada sapata tem seu tamanho marcado e possui uma seta indicativa do ponto central da curva a ser executada.
4. Insira e trave a sapata selecionada na haste do cilindro com um pino-trava em forma de U.

Tabela de Especificação

Tamanho nominal do tubo (ø externo) pol (mm)	Espessura da Parede pol (mm)	Tubo Padrão*	Raio de Curvatura do Tubo pol (mm)	STB-101 1/2-2 One Shot	STB-101 1-2 Dobra Única 2 1/2-4 Sweep	STB-101 1 1/4-4 One Shot
1/2 (.840)	.109 (.277)	40	2 7/8	Sim	-	-
	.147 (.373)	80		Sim	-	-
	.187 (.475)	160		WS	-	-
	.294 (.747)	160		WS	-	-
3/4 (1.050)	.113 (.287)	40	4	Sim	-	-
	.154 (.391)	80		Sim	-	-
	.218 (.554)	160		WS	-	-
	.308 (.782)	DEH		WS	-	-
1 (1.315)	.133 (.338)	40	5 1/8	Sim	Sim	-
	.179 (.455)	80		Sim	Sim	-
	.250 (.635)	160		WS	WS	-
	.358 (.909)	DEH		-	WS	-
1 1/4 (1.660)	.140 (.356)	40	6 7/16	Sim	Sim	Sim
	.191 (.485)	80		Sim	Sim	Sim
	.250 (.635)	160		WS	WS	Sim
	.342 (.869)	DEH		-	WS	WS
1 1/2 (1.900)	.145 (.368)	40	7 5/16	Sim	Sim	Sim
	.200 (.508)	80		Sim	Sim	Sim
	.281 (.714)	160		WS	WS	Sim
	.400 (1,016)	DEH		-	WS	Sim
2 (2.375)	.154 (.391)	40	8 5/16	Sim	Sim	Sim
	.218 (.554)	80		Sim	Sim	Sim
	.343 (.871)	160		-	WS	Sim
2 1/2 (2.875)	.203 (.516)	40	9 1/2	-	Sim	Sim
	.276 (.701)	80		-	WS	Sim
	.375 (.953)	160		-	WS	Sim
3 (3.500)	.216 (.549)	40	11 1/4	-	Sim	Sim
	.300 (.762)	80		-	WS	Sim
3 1/2 (4.000)	.226 (.574)	40	15 1/2	-	Sim	Sim
	.318 (.808)	80		-	WS	Sim
4 (4.500)	.237 (.602)	40	17 3/4	-	Sim	Sim
	.337 (.856)	80		-	-	Sim

*Tubo padrão: 40=Padrão; 80=extra pesado; 160=extra pesado duplo (somente tubo de aço doce)
DEH=extra pesado duplo (ligeiramente mais espesso que 160);
WS=podem ser dobrados, movimentando os blocos guia para os furos do próximo tubo de tamanho maior.

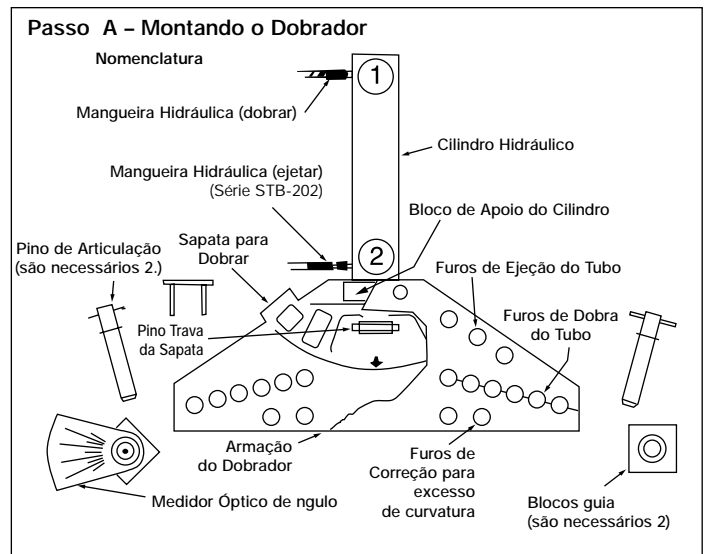


Figura 1, Montando o Dobrador

5.0 DOBRANDO O TUBO (VER FIGURAS 2 E 3)



IMPORTANTE: Antes de iniciar uma dobra, certifique-se de que os Pinos de Articulação atravessam a parte inferior da armação e estão travados em posição, para uma fixação adequada.

Ao acionar a bomba, tanto manual quanto elétrica, o operador deve estar posicionado ao lado do cilindro. Não é recomendável que qualquer dobrador seja acionado por sua parte dianteira.

Observe o Medidor Óptico de ngulo, durante a dobra, para verificar o momento em que o ângulo desejado é alcançado. Devido à elasticidade do tubo, é necessário ir um pouco além do ângulo final desejado.

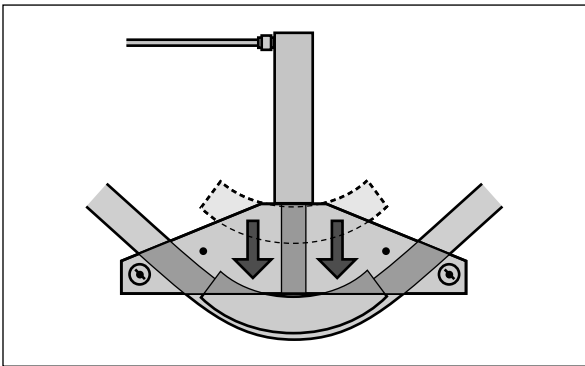


Figura 2

1. Coloque o tubo na armação do Dobrador.
2. Prenda o Medidor Óptico de ngulo na parte superior do Bloco Guia, conforme mostrado na Figura 3. Um Pino Guia localizado no Medidor corresponde a um furo no Bloco Guia.
3. Monte o outro Bloco Guia. Os dois Blocos Guia têm marcas para os vários tamanhos de tubos. Os dois Blocos Guia devem estar posicionados, de forma que face correspondente ao diâmetro esteja encostada no tubo.
4. O Medidor de ngulo deve agora indicar a leitura em zero, quando se verifica a linha marcada na armação
5. Trave os dois Blocos Guia em posição, usando os Pinos de Articulação com o botão de trava. O Pino de Articulação é destravado, ao se pressionar o polegar para baixo, ao mesmo tempo em que a manopla do pino é mantida presa. Certifique-se de que os dois Pinos de Articulação estão posicionados nos furos correspondentes ao diâmetro do tubo.
6. Gire a Válvula da Bomba, conforme demonstrado, para bomba manual e prossiga com a curvatura. Caso esteja utilizando uma bomba elétrica com botão interruptor, pressione o botão de "advance" (avanço) (somente para os dobradores da série STB-202).

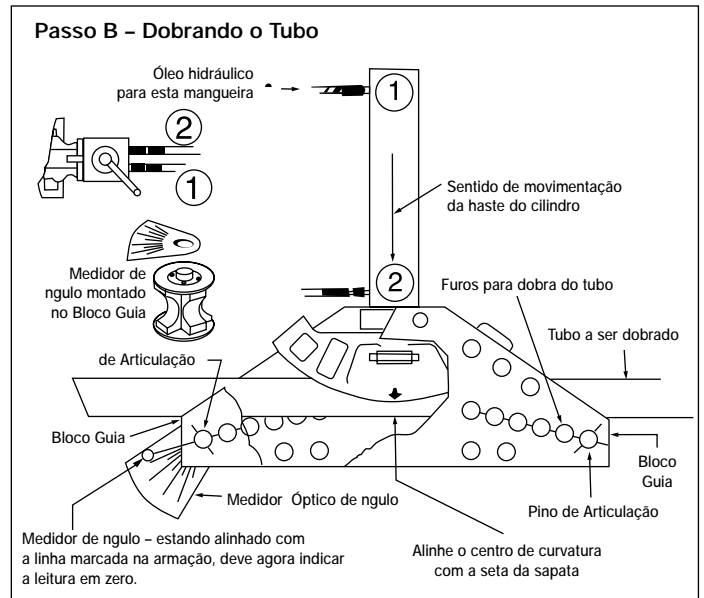


Figura 3, Dobrando o tubo

6.0 REMOVENDO O TUBO

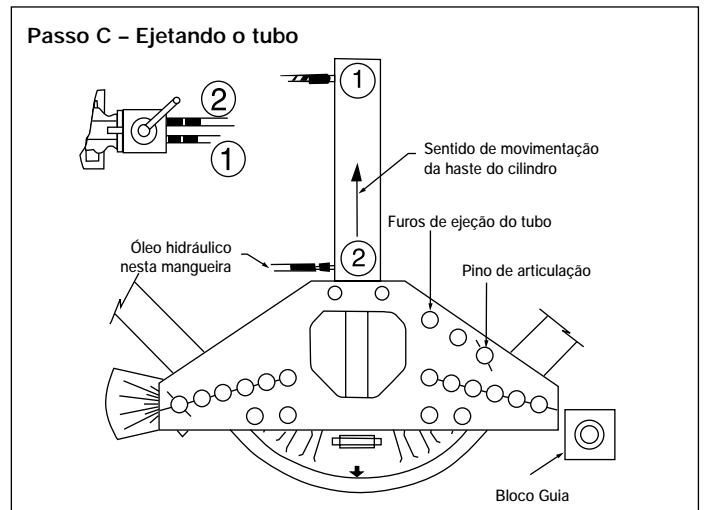


Figura 4, Ejeção do tubo

6.1 Ejeção de tubos usando o Dobrador da Série STB-202

1. Faça com que a haste do cilindro retorne um pouco, girando a válvula da bomba para a posição oposta ao curso da dobra. Com isto, a pressão dos Blocos Guia e dos Pinos vai ser removida. Caso a bomba elétrica com botão interruptor esteja sendo utilizada, aperte, instantaneamente, o Botão de Retorno.
2. Remova um ou os dois Blocos Guia e re-posicione um Pino de Articulação no "furo de ejeção" adequado, de forma que o pino vai fixar o tubo e não o Bloco, enquanto os dois retornam. Armações de Dobra Única para tubos de 4" possuem dois furos de ejeção. Utilize os dois furos.
3. Agora faça com que a haste do cilindro retorne totalmente. A sapata de curvatura e o tubo vão retornar em conjunto até que o tubo entre em contato com o Pino de Articulação. No contato, o tubo vai se soltar da sapata.
4. Remova o outro Pino de Articulação e o Bloco Guia para retirar o tubo do dobrador.

6.2 Ejeção de Tubo para modelo das Séries STB-101/221

1. Faça com que a haste do cilindro retorne completamente, girando a válvula da bomba na posição oposta ao curso da dobra, antes de remover o tubo da Sapata de Curvatura.
2. Remova um ou os dois Blocos Guia.
3. Martele o tubo para soltá-lo da Sapata.

7.0 INSTRUÇÕES PARA DOBRA ÚNICA A 90° COM PONTA PARA CIMA

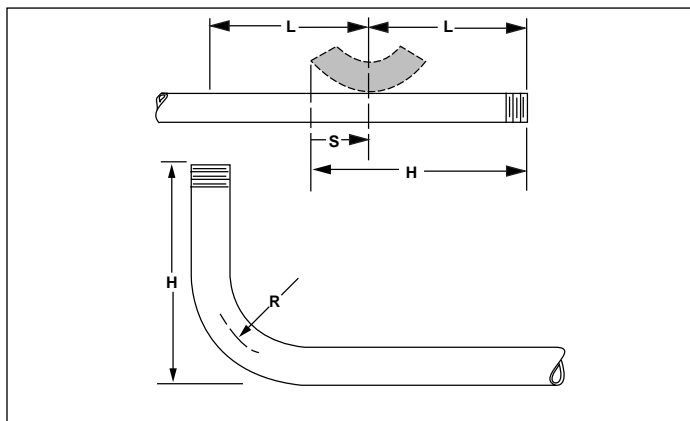


Figura 5

DOBRADORES DE TUBO

7.1 Instruções para Dobra Com Ponta para Cima

1. Marque a dimensão desejada da curva para cima (**H**) no comprimento total do tubo (ver figura 5).
2. Localize o tamanho do tubo que você está dobrando na Tabela 1 e obtenha a dimensão de deslocamento (**S**).
3. Meça as dimensões da ponta do tubo (deduza (**S**) e marque o tubo).



A marca não pode estar mais perto da ponta do tubo do que a distância mínima (**L**), mostrada na Tabela 1, ou a extremidade não ficará presa pelo bloco guia.

4. Coloque o tubo no Dobrador, de forma que a marca fique alinhada com a seta na sapata de dobra. Execute a dobra, verificando o ângulo desejado no Medidor Óptico.

Tamanho Nominal do pol (mm)	Deslocamento (S) pol (mm)	Raio da linha central (R) pol (mm)	Comprimento Mínimo da marca (L) até a extremidade do tubo pol (mm)
1/2 (1,27)	1 1/8 (2,856)	3 1/4 (8,255)	7 1/2 (19,05)
3/4 (1,95)	1 1/2 (3,81)	4 1/2 (11,43)	8 3/4 (22,225)
1 (2,54)	1 7/8 (4,763)	5 3/4 (14,605)	10 1/4 (26,035)
1 1/4 (3,175)	2 3/8 (6,033)	7 1/4 (18,415)	12 (30,48)
1 1/2 (3,81)	2 3/8 (6,033)	8 1/4 (20,955)	13 1/4 (33,655)
2 (5,08)	3 1/4 (8,255)	9 1/2 (24,13)	15 (38,1)
2 1/2 (6,35)	3 11/16 (78,90)	10 1/2 (26,67)	18 (45,72)
3 (7,62)	4 1/2 (11,43)	13 (33,02)	20 (50,8)
3 1/2 (8,89)	5 3/16 (13,176)	15 (38,1)	26 1/2 (67,31)
4 (10,16)	6 1/2 (16,51)	20 (50,8)	27 (68,58)

7.2 Instruções para Dobra Parcial

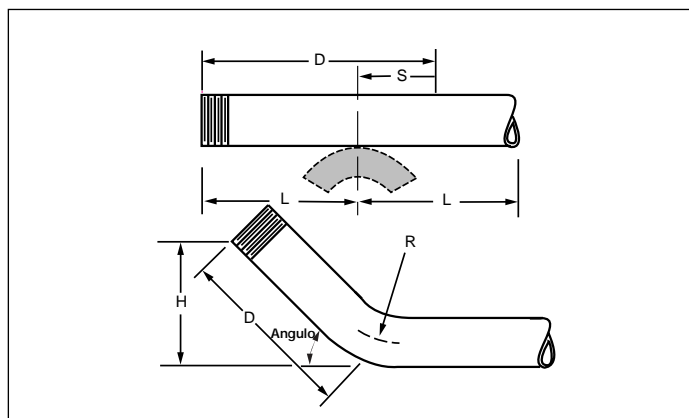


Figura 6

1. Na Tabela 2, encontre a distância diagonal (**D**) que corresponde à distância perpendicular desejada (**H**). Faça uma marca da distância (**D**) na ponta de um tubo reto.
2. Na Tabela 3 encontre a distância do deslocamento (**S**) em função do diâmetro do tubo e do ângulo da dobra desejada.
3. Faça uma segunda marca (**S**) no tubo, conforme demonstrado na Figura 6.



A marca (**S**) não pode estar a uma distância da ponta do tubo menor do que a distância mínima (**L**) mostrada na Tabela 3, ou a ponta do tubo não vai ficar presa no Bloco Guia.

4. Coloque o tubo no Dobrador, de forma que a marca (**S**) fique alinhada com a seta da sapata. Comece a dobrar, lendo o ângulo no Medidor Óptico.

Distância Perpendicular (H) pol (mm)	ngulo de Dobra			
	15°	30°	45°	60°
2 (5,08)	7 3/4	4	2 13/16	2 5/16
4 (10,16)	15 7/16	8	5 11/16	4 5/8
6 (15,24)	23 3/16	12	8 1/2	6 15/16
8 (20,32)	30 15/16	16	1 15/16	9 1/4
10 (25,4)	38 5/8	20	14 1/8	11 9/16
12 (30,48)	46 3/8	24	17	13 7/8
14 (35,56)	54 1/16	28	19 13/16	16 3/16
16 (40,64)	61 13/16	32	22 5/8	18 1/2
18 (45,72)	69 9/16	36	25 7/16	20 13/16
20 (50,8)	77 1/4	40	28 5/16	23 1/8
22 (55,88)	85	44	31 1/8	25 3/8
24 (60,96)	92 3/4	48	33 15/16	27 13/16

Diâmetro Nominal do Tubo	Deslocamento (S) (mm)				(R) *	(L) **
	Dobras Múltiplas		Dobra Única			
pol (mm)	15°	30°	45°	60°	(R) *	(L) **
1/2 (1,27)	—	1/8	1/4	7/16	3 1/4	7 1/2
3/4 (1,905)	1/16	3/16	5/16	9/16	4 1/2	8 3/4
1 (2,54)	1/16	1/4	7/16	3/4	5 3/4	10 1/4
1 1/4 (3,175)	1/8	1/4	1/2	7/8	7 1/4	11 1/2
1 1/2 (3,81)	1/8	5/16	5/8	1	8 1/4	13 1/4
2 (5,08)	3/16	3/8	11/16	13/16	9 1/2	15
2 1/2 (6,35)	3/16	7/16	13/16	1 3/8	10 1/2	16 3/4
3 (7,62)	1/4	9/16	1	1 11/16	13	18 1/2
3 1/2 (8,89)	1/4	5/8	1 1/8	1 15/16	17 1/2	22 1/4
4 (10,16)	5/16	3/4	1 3/8	2 1/2	20	24 1/4

* (R) Raio do Centro do tubo (mm)
** (L) Comprimento mínimo necessário da ponta do tubo (mm)

7.3 Instruções para Dobra Dupla

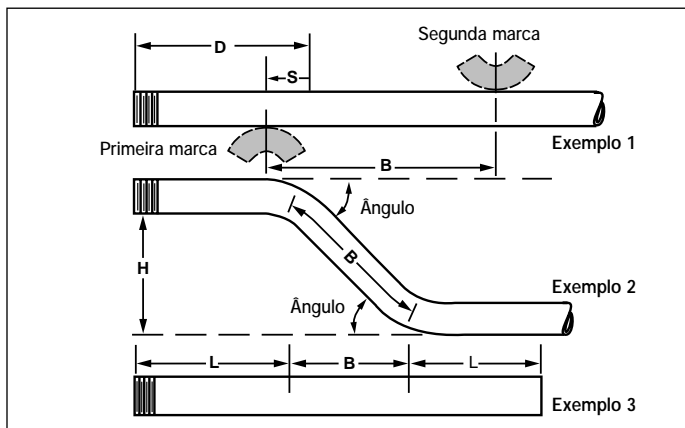


Figura 7

- Determine o ângulo desejado para a dobra dupla. Localize e marque a primeira dobra na distância (D) menos (S) do fim do tubo, seguindo as Instruções para Dobra Parcial da Seção 7.2, itens 2 e 3.
- Usando o mesmo ângulo de dobra, encontre a dimensão (B) na Tabela 4. **NOTA:** a Tabela mostra o maior diâmetro de tubo que pode ser dobrado para se obter a distância entre centros desejada (H).
- Faça a segunda marca (B) no tubo, conforme demonstrado na Figura 7, Exemplo 1.



A marca (B) não pode estar a uma distância da ponta do tubo menor do que a distância (L), ou a ponta do tubo não vai ficar presa no Bloco Guia (ver Figura 6, Exemplo 3 e Tabela 5 – item "L").

- Coloque o tubo no Dobrador, alinhando a primeira marca com a seta na sapata. Comece a dobrar, lendo o ângulo no Medidor Óptico.
- Gire o tubo em 180° e alinhe a segunda marca com a seta da Sapata. Comece a dobrar, lendo o ângulo no Medidor Óptico.

	Distância desejada entre centros (H) pol (mm)	(B) pol (mm)	Diâmetro Máximo do Tubo pol (mm)
Curva de 15°	2 (5,08)	7 11/16 (19,526)	3/4 (1,905)
	4 (10,16)	15 7/8 (40,323)	1 1/2 (3,81)
	6 (15,24)	23 3/16 (58,896)	3 1/2 (8,89)
	8 (20,32)	30 7/8 (78,423)	4 (10,16)
	10 (25,4)	35 5/8 (90,488)	4 (10,16)
Curva de 30°	2 (5,08)	—	—
	4 (10,16)	7 7/8 (20,003)	3/4 (1,905)
	6 (15,24)	11 7/8 (30,163)	1 (2,54)
	8 (20,32)	15 7/8 (40,323)	1 1/2 (3,81)
	10 (25,4)	19 7/8 (50,483)	2 (5,08)
	12 (30,48)	23 7/8 (60,643)	2 1/2 (6,35)
	14 (35,56)	27 7/8 (70,803)	3 1/2 (8,89)
	16 (40,64)	31 7/8 (80,963)	4 (10,16)
Curva de 45°	18 (45,72)	35 7/8 (91,123)	4 (10,16)
	6 (15,24)	8 5/16 (21,114)	1/2 (3,81)
	8 (20,32)	11 1/8 (28,258)	1 (2,54)
	10 (25,4)	13 7/8 (35,243)	1 1/4 (3,175)
	12 (30,48)	16 11/16 (42,386)	1 1/2 (3,81)
	14 (35,56)	19 1/2 (49,53)	2 (5,08)
	16 (40,64)	22 3/8 (56,833)	2 1/2 (6,35)
Curva de 60°	18 (45,72)	25 3/16 (63,976)	3 (7,62)
	20 (50,8)	28 (71,12)	3 1/2 (8,89)
	22 (55,88)	30 7/8 (78,423)	4 (10,16)
	6 (15,24)	—	—
	8 (20,32)	8 3/4 (22,225)	1/2 (3,81)
	10 (25,4)	10 13/16 (27,464)	1 (2,54)
	12 (30,48)	12 7/8 (32,478)	1 1/4 (3,175)
	14 (35,56)	15 1/8 (38,418)	1 1/2 (3,81)
Curva de 60°	16 (40,64)	17 3/8 (44,133)	2 (5,08)
	18 (45,72)	18 1/2 (46,99)	2 1/2 (6,35)
	20 (50,8)	21 1/2 (54,61)	3 (7,62)
	22 (55,88)	23 5/8 (60,008)	3 1/2 (8,89)

Diâmetro do Tubo	(L) *
1/2" (1,27)	7 1/2
3/4" (1,905)	8 3/4
1" (2,54)	10 1/4
1 1/4" (3,175)	11 1/2
1 1/2" (3,81)	13 1/4
2" (5,08)	15
2 1/2" (6,35)	16 3/4
3" (7,62)	18 1/2
3 1/2" (8,89)	22 1/4
4" (10,16)	24 1/4

(L) = Comprimento mínimo do tubo em cada lado da marca (B)

8.0 DOBRA MÚLTIPLA DE 90° (APENAS PARA TUBOS DE 2 1/2" A 4")

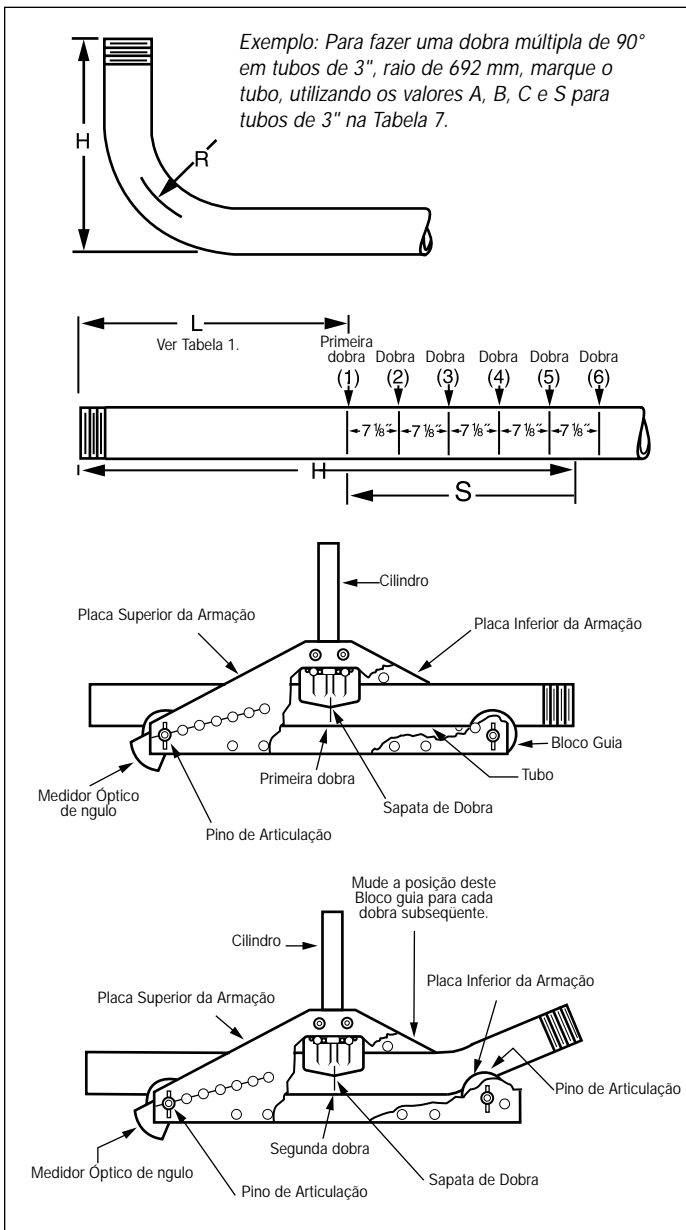


Figura 8, Dobra Múltipla de 90°

8.1 Dobra de 90° com sapata para dobras múltiplas

1. Marque a dimensão perpendicular desejada (**H**) no tubo reto (ver Figura 8).
2. Na Tabela 6, escolha o diâmetro do tubo a ser dobrado. Pelo raio da dobra na primeira coluna, verifique o deslocamento (**S**) na segunda coluna.
3. Meça a posição da primeira dobra no tubo (deduza (**S**) e marque o tubo).
4. Marque as posições para o número de dobras necessárias (coluna A) nos intervalos indicados na coluna B.
5. Coloque os Pinos de Articulação e os Blocos Guia nos furos marcados na armação, para o diâmetro do tubo. Faça a primeira dobra até o ângulo indicado na Coluna C.

NOTA: Pode ser aconselhável fazer a primeira dobra com um ângulo maior, para compensar a elasticidade do tubo

6. Mude o Bloco Guia localizado no lado oposto a aquele no qual o Medidor Óptico de ngulo está montado para um outro furo que mantenha o tubo paralelo à lateral da armação, enquanto usa o mesmo ângulo de dobra.

Para dobras parciais e duplas de 15° e 30°, usando o Dobrador de Dobras Múltiplas, consulte as Tabelas 3, 4, e 5.

Diâmetro do Tubo pol (mm)	Raio de Dobra (R) pol (mm)	(S) deslocamento pol (mm)	(A) Nº de dobras (90°)	(B) Distância entre dobras pol (mm)	(C) Grau por dobra
2 1/2" (6,35)	10 1/2" (26,67)	9 3/16 (23,336)	3	5 1/2 (13,97)	30°
	14 1/2 (36,83)	13 3/32 (33,258)	4	5 3/4 (14,605)	22°
	18 1/2 (46,99)	17 1/32 (43,260)	5	5 3/4 (14,605)	18°
	22 1/2 (57,15)	21 (53,34)	6	5 7/8 (14,923)	15°
	26 1/2 (67,31)	25 11/32 (64,373)	8	5 1/4 (13,335)	11°
3" (7,62)	13" (33,02)	11 3/8 (28,893)	3	6 3/4 (17,145)	30°
	17 3/4 (45,085)	16 1/64 (40,680)	4	7 (17,78)	22°
	22 1/2 (57,15)	20 3/4 (52,705)	5	7 (17,78)	18°
	27 1/4 (69,215)	25 7/16 (64,611)	6	7 1/8 (18,098)	15°
	32 (81,28)	30 5/32 (76,597)	7	7 1/8 (18,098)	13°
3 1/2" (8,89)	17 1/2" (44,45)	14 15/16 (37,941)	3	9 1/4 (23,495)	30°
	22 7/8 (58,103)	20 3/8 (51,753)	4	9 (22,86)	22°
	28 1/4 (71,755)	25 13/16 (65,564)	5	8 7/8 (22,543)	18°
	33 5/8 (85,408)	31 1/4 (79,375)	6	8 3/4 (22,225)	15°
	39 (99,06)	36 5/8 (93,028)	7	8 1/4 (20,955)	13°
4" (10,16)	20" (50,8)	17 1/64 (43,220)	3	10 1/2 (26,67)	30°
	26 (66,04)	23 1/64 (58,460)	4	10 1/4 (26,035)	22°
	32 (81,28)	29 1/4 (74,295)	5	10 (25,4)	18°
	38 (96,52)	35 5/32 (89,614)	6	10 (25,4)	15°
	44 (111,76)	41 5/16 (41,312)	7	9 7/8 (25,083)	13°

• Estes raios correspondem a dobras únicas de 90°.

9.0 INSTRUÇÕES PARA DOBRAS CONCÊNTRICAS

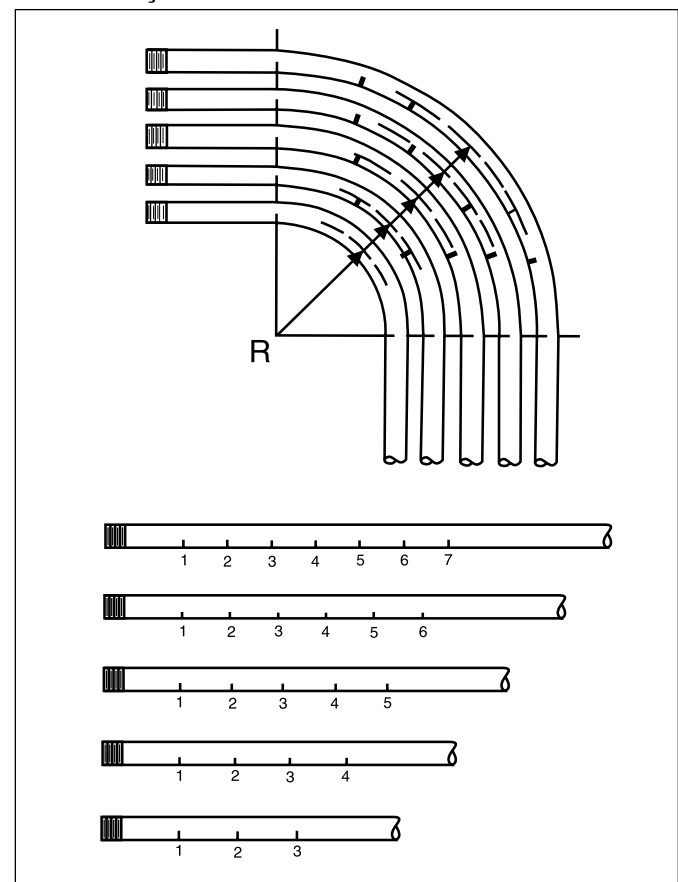


Figura 9

9.1 Instruções para dobras concêntricas múltiplas

1. Para dobras concêntricas, determine o raio desejado para o primeiro tubo (raio menor).
2. Localize o tamanho do tubo que você está dobrando na Tabela 7. Faça a dobra do menor raio da tabela, usando as Instruções de Dobra de 90°, Seção 8.0.
3. Faça todas as outras dobras concêntricas da mesma maneira, usando os raios maiores e os valores respectivos de A, B, e C.

9.2 Dobras de outros raios

Ao desenvolver as suas próprias especificações para raios não indicados nas tabelas, use a seguinte fórmula:

1. Determine o número de dobras que você deseja executar – aproximando-se dos valores da Tabela 6.
2. Divida o número total de graus no ângulo necessário pela quantidade de dobras. Isto vai resultar no ângulo em graus, para cada dobra. (com sapatas de dobras múltiplas ENERPAC, o maior ângulo por dobra é de 30°.)
3. Multiplique o raio por 4,5 e pelo número de graus para cada dobra, conforme passo 2 acima. Este valor ($R \times 4,5 \times \text{graus por dobra}$) é a distância entre as dobras, em milímetros.
4. Faça as dobras, de acordo com as instruções anteriores.

Enerpac Worldwide Locations

Australia

ENERPAC, Applied Power
Australia Ltd.
Block V Unit 3
Regents Park Estate
391 Park Road
Regents Park NSW 2143
(P.O. Box 261) Australia
Tel: +61 297 438 988
Fax: +61 297 438 648

Brazil

Power Packer do Brasil Ltda.
Rua dos Inocentes, 587
04764-050 - Sao Paulo (SP)
Tel: +55 11 5687 2211
Fax: +55 11 5686 5583
Toll Free in Brazil:
Tel: 000 817 200 6718
vendasbrasil@enerpac.com

Canada

Actuant Canada Corporation
6615 Ordan Drive, Unit 14-15
Mississauga, Ontario L5T 1X2
Tel: +1 905 564 5749
Fax: +1 905 564 0305
Toll Free:
Tel: +1 800 268 4987
Fax: +1 800 461 2456
Technical Inquiries:
techservices@enerpac.com

China

Actuant China Ltd.
1F, 269 Fute N. Road
Waigaoqiao Free Trade Zone
Pudong New District
Shanghai, 200 131 China
Tel: +86 21 5866 9099
Fax: +86 21 5866 7156

Actuant China Ltd. (Beijing)
709A Xin No. 2
Diyang Building
Dong San Huan North Rd.
Beijing City, 100028 China
Tel: +86 10 845 36166
Fax: +86 10 845 36220

Eastern Europe

Applied Power International S.A.
Case postale 130
CH-1213 Onex-Genève
Switzerland
Tel: +49 (211) 47149 44
Fax: +49 (211) 47149 40

France, Greece, Africa

ENERPAC S.A.
B.P. 200
Parc d'Activités
du Moulin de Massy
F-91882 Massy CEDEX
(Paris) France
Tel: +33 1 601 368 68
Fax: +33 1 692 037 50

Germany, Austria

ENERPAC
Applied Power GmbH
P.O. Box 300113
D-40401 Düsseldorf
Germany
Tel: +49 211 471 490
Fax: +49 211 471 49 28

India

ENERPAC Hydraulics
(India) Pvt. Ltd.
Plot No. A/571
MIDC, TTC Industrial Area
Mahape-400 701
Navi Mumbai, India
Tel: +91 22 778 1779
Fax: +91 22 778 1473

Italy

ENERPAC
Applied Power Italiana S.p.A.
Via Canova 4
20094 Corsico (Milano)
Tel: +39 02 4861 111
Fax: +39 02 4860 1288

Japan

Applied Power Japan Ltd.
1-1-11, Shimomae
Toda-shi
Saitama Pref.
Japan 335-0016
Tel: +81 48 430 2311
Fax: +81 48 430 1117

◆ e-mail: info@enerpac.com

Mexico

ENERPAC Applied Power
Mexico S. de R.L. de C.V.
Avenida Principal
La Paz #100
Fracc. Industrial La Paz
42092 Pachuca, Hidalgo
Tel: +52 771 71851 60
+52 771 71870 22
Fax: +52 771 71352 32
Toll Free in Mexico:
Tel: 001 800 590 0130

The Netherlands, Belgium, Luxembourg, Sweden, Denmark, Norway, Finland

ENERPAC B.V.
Storkstraat 25
P.O. Box 269, 3900 AG Veenendaal
The Netherlands
Tel: +31 318 535 911
Fax: +31 318 525 613
+31 318 535 848

Russia and CIS

(excl. Caspian Sea Countries)

ENERPAC
Leninsky Prospect 95A
117313, Moscow, Russia.
Tel/Fax: +7(095) 936-2005
Tel/Fax: +7(095) 198-3094
Tel/Fax: +7(095) 938-4655
Mobil: +7(903) 731-9558

Singapore

Actuant Asia Pte. Ltd.
25 Serangoon North Ave. 5
#03-01 Keppel Digihub
Singapore 554914
Thomson Road
P.O. Box 114
Singapore 915704
Tel: +65 64 84 5108
+65 64 84 3737
Fax: +65 64 84 5669

South Korea

ENERPAC
Applied Power Korea Ltd.
163-12 Dodang-Dong
Wonmi-Ku, Buchun-shi
Kyunggi-Do
Republic of Korea
Tel: +82 32 675 08 36
Fax: +82 32 675 30 02/73

◆ internet: www.enerpac.com

Spain, Portugal

ENERPAC
C/San José Artesano 8
Pol. Ind.
28108 Alcobendas
(Madrid) Spain
Tel: +34 91 661 11 25
Fax: +34 91 661 47 89

Middle East, Turkey and Caspian Sea

ENERPAC Middle East FZE
P.O. Box 18004
Jebel Ali, Dubai
United Arab Emirates
Tel: +971 (0)4 8872686
Fax: +971 (0)4 8872687

United Kingdom, Ireland

ENERPAC Ltd., P.O. Box 33
New Romney, TN28 8QF
United Kingdom
Tel: +44 01527 598 900
Fax: +44 01527 585 900

USA, Latin America and Caribbean

ENERPAC
P.O. Box 3241
6100 N. Baker Road
Milwaukee, WI 53209 USA
Tel: +1 262 781 6600
Fax: +1 262 783 9562

User inquiries:

+1 800 433 2766

Distributor inquiries/orders:

+1 800 558 0530

Technical Inquiries:

techservices@enerpac.com

All Enerpac products are guaranteed against defects in workmanship and materials for as long as you own them.
For your nearest authorized Enerpac Service Center, visit us at www.enerpac.com